

HES® 9000-ASB

Aluminum Spacer Bracket

ASSA ABLOY

Experience a safer
and more open world

For use on Aluminum Frames with a 1/2" Blade Stop
Compatible with HES 9400 | 9500 | 9600 | 9700 | 9800

Prep & Installation

- 1 If applicable, REMOVE the existing strike plate from the door.
NOTE: Retrofit applications may require the exit device to shift horizontally towards the hinge side of the door to compensate for the 9000-ASB.
- 2 ALIGN the centerline notch with the exit device latchbolt/starwheel centerline as shown in **Diagram 1**.
NOTE: When using most exit devices equipped with an offset deadlatch, such as the Corbin Russwin 5000 Series or the Yale 7000 Series, the entire deadlatch should be located no more than 7/8" from the centerline of the strike.
- 3 MARK, CENTER PUNCH and DRILL the ASB mounting holes using a 25/64" drill bit and INSTALL the blind nuts using the provided tool.
NOTE: Blind nuts are recommended to ensure the most stable and secure install on an aluminium frame.
- 4 Pre-install the ASB and Strike to identify which mounting holes will be used. MARK, CENTER PUNCH and DRILL clearance holes for the 1/4-20 strike mounting screws.
NOTE: The bracket includes two mounting holes for your strike to accommodate blade stops up to 3/4" wide.
NOTE: The bracket includes two mounting holes for your strike to accommodate blade stops up to 3/4" wide.
- 5 Mount ASB onto frame with four provided 1/4-20 flat head screws.
- 6 Connect the strike to power and test fit on the ASB as shown in **Diagram 2**. Ensure no wires are pinched and check the exit device interaction with the keepers. Adjust accordingly before locking down.
NOTE: For optimal Starwheel Interaction, reference **Diagram 3**.
NOTE: If the center lockdown screw is required, MARK and CENTER PUNCH the hole location and remove the strike to drill and tap the hole.

Diagram 3 Latchguard should be centered between the keepers

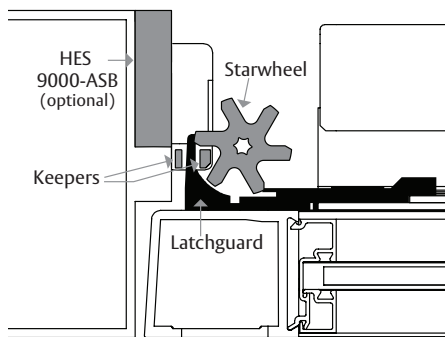


Diagram 1 Installing Spacer Bracket

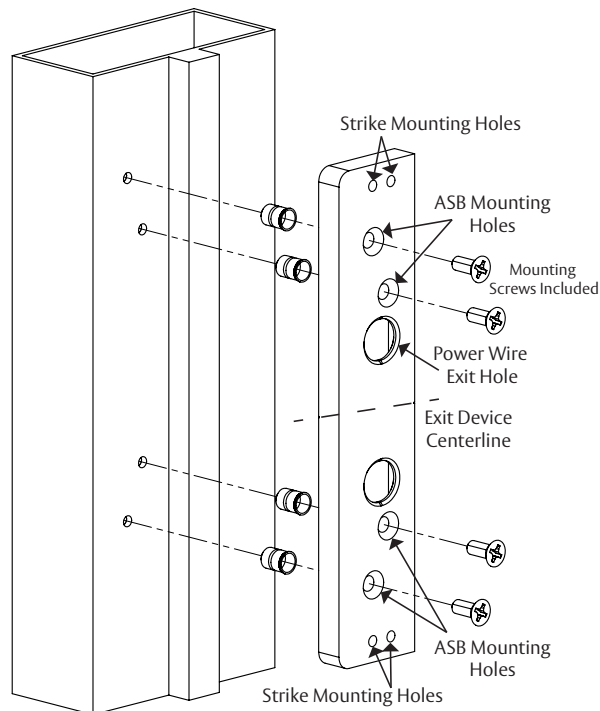
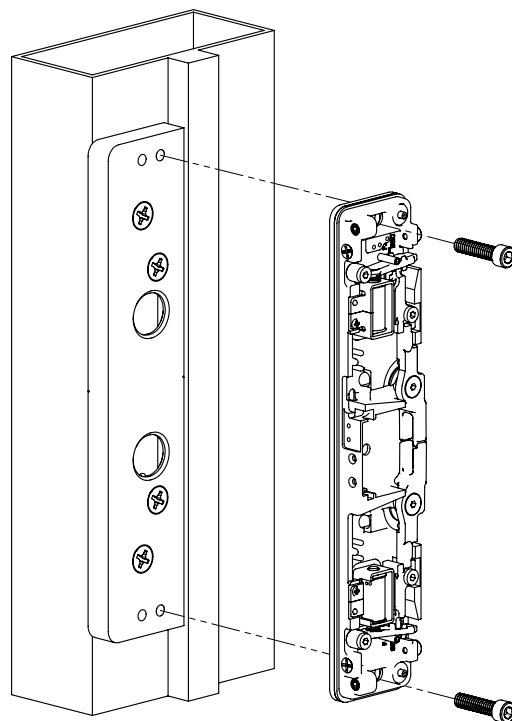


Diagram 2 Installing Product



ELECTRONIC SECURITY HARDWARE

HES | Securitron

techsupport.esh@assaabloy.com | assaabloyesh.com

800 626 7590 | 10027 S. 51st Street Phoenix, AZ 85044 USA

Patent pending and/or patent www.assaabloydss.com/patents

Copyright © 2020, Hanchett Entry Systems, Inc., an ASSA ABLOY Group company. All rights reserved. Reproduction in whole or in part without the express written permission of Hanchett Entry Systems, Inc. is prohibited. 3075006.004_2