

8300 Series Electric Strike

Works with cylindrical locksets and accommodates latchbolts up to 5/8" throw

Also available in
Complete One Box
Solution



The fire-rated, concealed solution for cylindrical locksets.

The HES 8300 series is a fire rated, compact, high performance electric strike featuring a unique concealed design for use with cylindrical locksets. No cutting on the frame is required. Simply remove the existing strike plate, adjust the vertical alignment feature to the latchbolt centerline and install. Its strength is derived from a unique keeper pin locking design, enabling the 8300 to exceed the ratings of the frame, door and locking hardware. This unique electric strike is easy to install and complies with NFPA 80-07 guidelines for retrofit into fire-rated frames. The 8300 accommodates latchbolts up to 5/8" throw.

Features

- Complies with guidelines for retrofit into fire-rated frames
- No cutting on frame required for 4-7/8" ANSI prep
- Vertical adjustability to accommodate door sag and misalignment
- Tamper resistant
- Static strength 1,500 lbs
- Dynamic strength 70 ft-lbs
- Endurance 1,000,000 cycles
- Field selectable fail secure/fail safe
- Non-handed
- Accommodates 1/2" – 5/8" cylindrical latchbolt (5/8" with 1/8" door gap)
- Strike body depth 1-1/16"
- Plug-in connector
- SecuriCare five-year, no-fault, no questions asked warranty (Addition of SMART Pac® III extends the warranty to 10 years)

Options

- LBM - Latchbolt monitor

Accessories

- 2005M3 SMART Pac® III
- 2001M Plug-in Bridge Rectifier
- 2004M ElectroLynx® adapter
- 2006M Plug-in Buzzer



Grade 1



SecuriCare
Warranty



Cylindrical
Locksets



Field Selectable
(Fail secure
/Fail safe)



Dual Voltage
12/24



PoE
Friendly



Fire Rated



Outdoor
Rated



Burglary
Rated

hes

ASSA ABLOY

8300 Series Electric Strike

Certifications

- ASTM E152 Fire Door Compliant
- ANSI/BHMA A156.31, Grade 1
- NFPA 80-07 Compliant
- NFPA-252 Fire Door Compliant
- RoHS Compliant
- UL 10C Fire Rated
- UL 294 Listed
- UL 1034 Burglary-Resistant Listed and Suitable for Outdoor Use

Specifications

Frame Material

- Metal
- Wood
- Aluminum

Electrical

- Dual voltage 12 or 24 VDC/VAC
- 240 mA at 12 VDC/VAC
- 120 mA at 24 VDC/VAC
- DC continuous duty/AC intermittent duty only
- PoE friendly

Dimensions

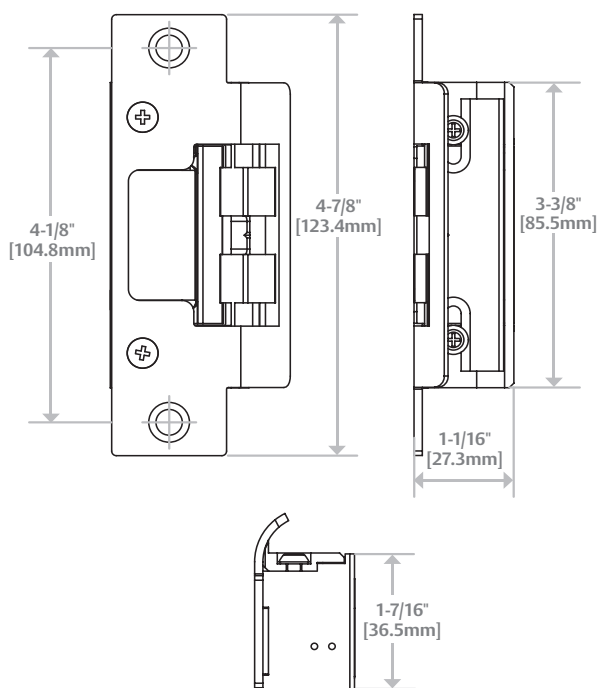


Diagram shown with 801 Option

How to Order



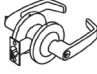

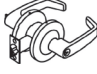

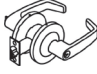

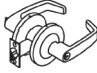

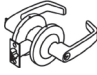


SERIES	MODEL	FINISH	OPTION (S)
8300	C	- 630	- LBM
8300 Universal Electric Strike; faceplate option kits ordered separately	C* Complete Electric Strike; includes the 801 and 801A faceplates (blank) Strike Body Only	630 Satin Stainless Steel	(Blank) No monitor LBM Latchbolt Monitor

*Complete Pacs are only available in the 630 finish

FACEPLATE OPTIONS	FINISH
801	- 613E
For Cylindrical Locksets (ANSI Metal)	605 Bright Brass
801 Option 4-7/8" x 1-1/4"	606 Satin Brass
For Cylindrical Locksets (Aluminum)	612 Satin Bronze
801A Option 4-7/8" x 1-1/4"	613E Dark Oxidized Satin Bronze Powder
802 Option 7-15/16" x 1-7/16"	629 Bright Stainless Steel
803 Option 6-7/8" x 1-1/4"	630 Satin Stainless Steel
For Cylindrical Locksets (Wood)	
805 Option 9" x 1-3/8"	BLK Black

NOTE: Electric strike compatibility is determined at time of electric strike product release. ASSA ABLOY is not responsible for incompatibility of products that have changed in design or craftsmanship by their respective manufacturers. When compatibility is a concern, contact Customer Support for application assistance.

8000/8300 Series Faceplate Options

<p>OPERATION</p> 	<p>After releasing the latchbolt, the keeper returns to the locked position.</p>	
 <p>4-7/8" × 1-1/4" [123.8mm x 31.75mm] Square corners</p>	<p>801 Option</p> <p>For use with: Cylindrical locksets in ANSI metal jambs, with latchbolts up to 5/8" [15.9mm] throw.</p> <p>ANSI/BHMA Numbers: E05031, E09321, E09322, E09323</p>	
 <p>4-7/8" × 1-1/4" [123.8mm x 31.75mm] Radius corners and flat faceplate</p>	<p>801A Option</p> <p>For use with: Cylindrical locksets with latchbolts up to 5/8" [15.9mm] throw. Includes universal mounting tabs. Aluminum frames.</p> <p>ANSI/BHMA Numbers: E05031, E09321, E09322, E09323</p>	
 <p>4-7/8" × 1-1/4" [123.8mm x 31.75mm] 1/4" extended lip</p>	<p>801E Option</p> <p>For use with: Extended lip for 'knock-down' style frame installations. For use with cylindrical latchbolts up to 5/8" [15.9mm] throw.</p> <p>ANSI/BHMA Numbers: E05031, E09321, E09322, E09323</p>	
 <p>7-15/16" × 1-7/16" [201.6mm x 36.5mm]</p>	<p>802 Option</p> <p>For use with: Cylindrical locksets with latchbolts up to 5/8" [15.9mm] throw. Includes universal mounting tabs. Aluminum frames.</p> <p>ANSI/BHMA Numbers: E05031, #E09321, E09322, E09323</p>	
 <p>6-7/8" × 1-1/4" Radius corners and flat faceplate</p>	<p>803 Option</p> <p>For use with: Cylindrical locksets with latchbolts up to 5/8" [15.9mm] throw. Includes universal mounting tabs. Aluminum frames.</p> <p>ANSI/BHMA Numbers: E05031, E09321, E09322, E09323</p>	
 <p>9" × 1-3/8" [123.8mm x 34.9mm] Radius corners and flat faceplate</p>	<p>805 Option</p> <p>For use with: Cylindrical locksets. Latchbolts up to 5/8" [15.9mm] throw. Four point mounting for wood installations.</p> <p>ANSI/BHMA Numbers: #E05031, #E09321, #E09322, #E09323</p>	

"For use with" information is offered as a recommendation only. Reference should be made to the lockset manufacturer for proper installation instructions necessary to meet compatibility requirements.

Reduce your install time by evaluating your opening

The 8000/8300 Electric Strikes can be adjusted to compensate for frame and door irregularities. Sometimes, adjusting the frame and door back to industry standards is not an option. Here are some tips to quickly compensate for frame twist and determine the condition of the latchbolt.

Measure Frame Twist

One way to measure frame twist is to place a carpenter square on the stop and the face of the door. If the angle is less than 90 degrees, the 45 degree ramp angle of the 8000/8300 is steepened and may need to be corrected as shown (*Figure 1*).

We recommend you check the condition of the latchbolt prior to installing the 8000/8300. Poorly constructed, worn out or damaged latchbolts may not slide along a ramp at any angle. To check the condition of your latchbolt, we recommend applying a slight force to the tip of the latchbolt (about 45 degrees to the door face). Make sure the latchbolt can be pushed up into the door.

Compensate for Frame Twist

When a frame is twisted, the relationship between the face of a closed door and of the inside face of the frame (i.e., rabbet) may not meet the 90 degree industry standard. Untrue frames and doors impact latchbolt wear and the force required to exit, so we recommend you ensure that the angle is between 90–95 degrees.

If manipulating the frame is not possible, we recommend placing several shims included under the top and bottom (stop side) of the faceplate (*Figure 2*). This effectively increases the 8000/8300 ramp angle and compensates for frame twist. You can also compensate for frame twist by placing shims under the top and bottom (bevel side) of the latchbolt (*Figure 3*).

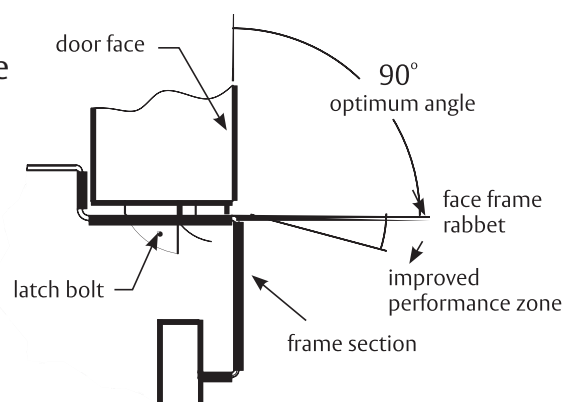


Figure 1

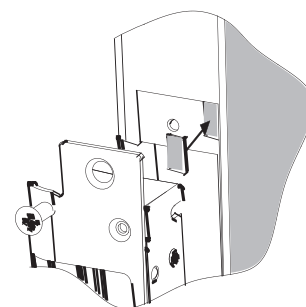


Figure 2

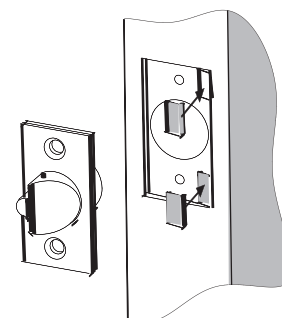


Figure 3