

# 660 Cabinet Lock

*Electromechanical Cabinet Lock*



The strongest  
surface mounted,  
multi-purpose  
locking solution.

The 660 Cabinet Lock provides over 1,000 lbs of static holding force and offers options such as locked state monitoring and a preload release function for maximum flexibility for the most challenging conditions. Strong, convenient and flexible, it is ideal for corporate and government applications including lockers, cabinets and display cases.

## Features

- All metal construction
- Adjustable mounting brackets with final lockdown feature
- 6 foot cable lead
- Fail Secure (standard)
- SecuriCare three-year, no-fault, no questions asked warranty

## Options

- **Preload** (up to 15 lbs)
- **LBSM** Locked state monitoring
- **LBSM Preload** Locked state monitoring with preload

## Accessories

- **KO** Key override



SecuriCare  
Warranty



Swinging  
Door



Drawers



PoE  
Friendly



Preload

h.e.s.

ASSA ABLOY

# Specifications

## Certifications

- RoHS compliant

## Electrical

- 12 or 24 VDC ± 10%
  - 240 mA at 12 VDC / 120 mA at 24 VDC (continuous duty)
  - 700 mA at 12 VDC / 350 mA at 24 VDC (preload option)
- Monitored contact rating 25 V / 1 A

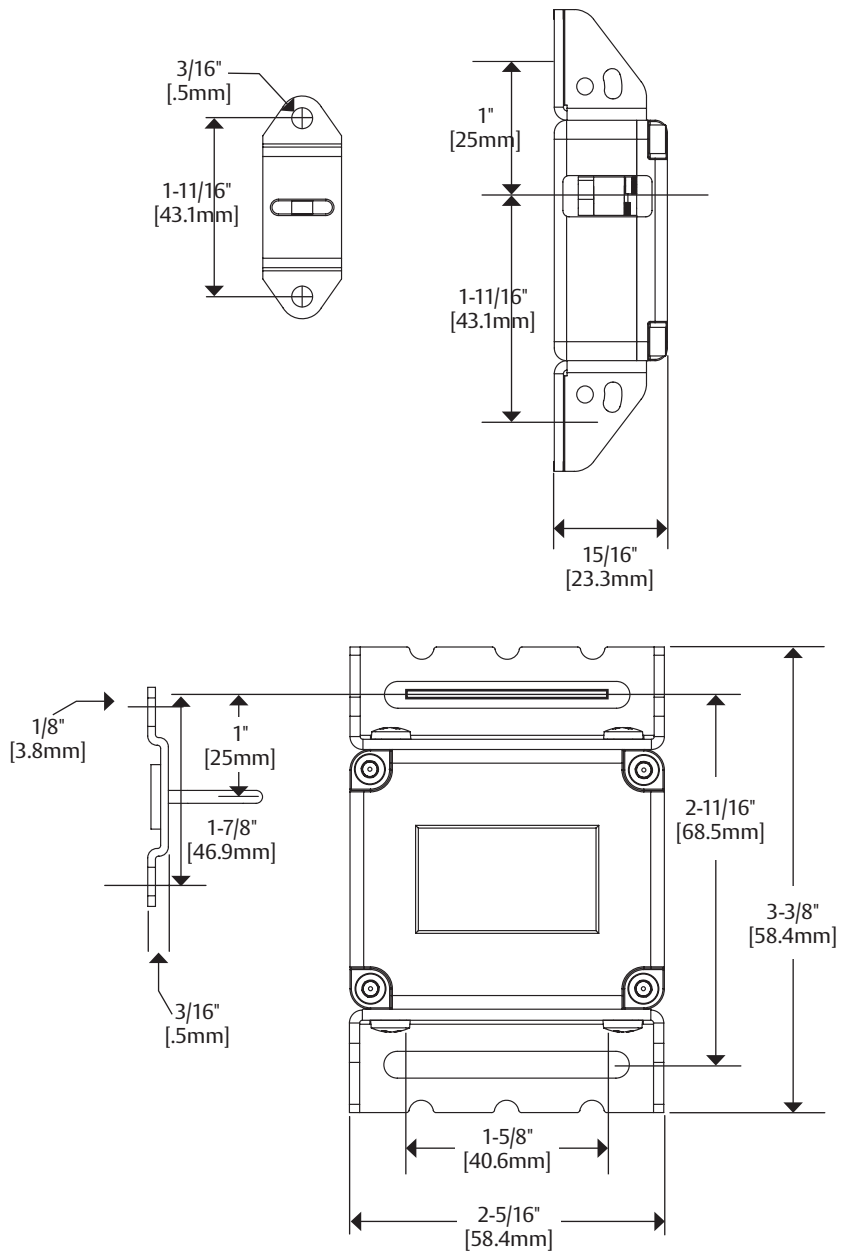
## Holding Force

- Static strength 1,000 lbs
- Dynamic strength over 100 ft-lbs

## Environmental

- Indoor use

# Dimensions



# How to Order

SERIES	VOLTAGE	OPTION (S)
<b>660</b>	<b>- 12V</b>	<b>- LBSM - Preload</b>
660 Cabinet Lock	12V 12 Volt 24V 24 Volt	(blank) No preload, no monitoring Preload Up to 15 lbs LBSM Locked state monitoring LBSM-20PK Locked state monitoring 20 Pack LBSM-Preload Locked state monitoring with preload