

Heavy-Duty Single-Acting Center Hung Floor Closers

Model 28 x 554 Arm Center Hung

Application

- Single Acting, Handed
- Exterior or Interior Doors
- Weight to 350 lbs.
- Concealed Arm
- Sizes up to 4'0" x 8'6"*
(1219mm x 2591mm)



ANSI/C06021

* For doors taller than 8'6" use top pivot # 345 in lieu of 340

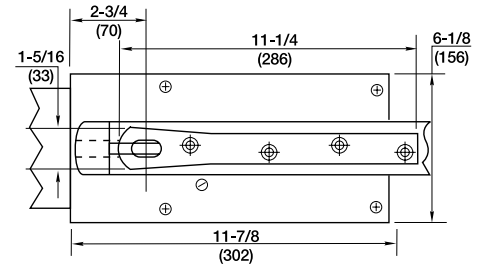
Product Description & Features

Concealed arm is designed to eliminate visible adjusting screws on face of door

- Arm bolt locks arm to closer spindle – adjustments made through heel of door
- Built-in positive dead stop prevents door from swinging beyond the desired opening degree (*specify 85°, 90°, 95° or 105°*)
- Separate and independent valves for closing speed, latch speed and backcheck
- Available non-hold open (N) or selective hold open (S) at same degree as dead stop
- Delayed action option – prefix "DA" (*non-hold open closers only*)
- Models available to meet ICC/ANSI A117.1 low opening force requirements, prefix "PH". (*For 8-1/2 lbs. of opening force prefix "PH" and suffix 8-1/2 lbs.*)
- Cold weather fluid option – specify "CWF" (*not available for closers with "DA"*)
- Sealed closer option – specify "SC"
- Available with floor plate or threshold installation (*floor plate shown*)
- Cylolac, rustproof cement case
- Standard top pivot: #340 included
- Not allowed for fire rated doors
- Frame stop required on the header at the lock side. If not supplied by frame manufacturer, recommend use of 60131 (*see Door Control Accessories page 92*).
- Furnished with wood and machine screws
- Extended spindles available in 1/2" increments up to 2" longer than standard

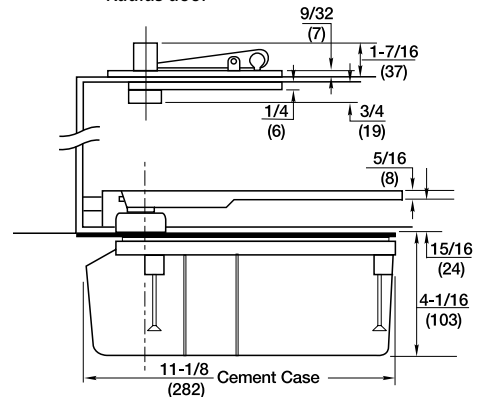
Technical Information

Frame stop required at lock edge



9/32

Radius door



Options


Sealed Closer – Prefix SC

This option for exterior doors or interior doors with heavy exposure to water or cleaning solvents, protects the body. The closer body is placed in the cement case. A stainless steel cover plate is then gasketed and fastened to the cement case. This must be ordered with closer and cannot be ordered less the cement case.

Delayed Action – Prefix DA

After full open permits door to remain ajar (*at 70 degrees*) for up to 40 seconds. Operates by separate valve and can be shut off if not needed. Not available on closers with hold open feature.


Physically Handicapped – Prefix PH

To comply with ICC/ANSI 117.1 established by the Americans with Disabilities Act. PH prefix indicates 5 pounds of opening force, based at 30" from centerline of pivot. PH closers may not be used on labeled fire doors or exterior doors. Rixson accepts no responsibility for PH closers and door latching. Also, be advised that ADA guidelines DO NOT apply to fire rated openings or exterior doors. 


Wood Door – Prefix W

When using a center hung product with the centering arm (*i.e. 28, 30 or 40*) a special plate and less obtrusive adjusting screws are needed for wood doors. This plate is reinforcement to the deep mortise required for that arm, protecting veneer.

Fire Rated – Prefix F

Closer packages for fire rated doors (*up to 3 hours*) include a steel top pivot and must have additional steel intermediate pivots. These closers are non-hold open. 

Twenty Minute Label – Suffix -20

This UL rating is for 20 minute doors. Pivots are brass base material and include a visible label. 

8-1/2 # Opening Force – Prefix PH Suffix 8-1/2

This is a lighter than normal opening force. Be aware that this may not be strong enough to close fire rated or exterior doors. Rixson accepts no responsibility for PH closers and door latching. Also, be advised that ADA guidelines DO NOT apply to fire rated openings or exterior doors.

Less All Parts – Suffix LAP

If a closer is needed for replacement, the arm, cover, cement case, top pivot and floor plate are omitted.

Less Floor Plate – Suffix LFP

When thresholds or cover pans are being used the closer doesn't need the decorative floor plate.

Less Cement Case – Suffix LCC

For existing installations or when cement case has been sent earlier in construction. Closer will be packaged without the cement case.

Less Top Pivot – Suffix LTP

For unusual head conditions, where the top pivot cannot be used, the closer is shipped without the top pivot. For offset installations, an additional load bearing intermediate (*side jamb*) M190 pivot is required. All intermediate pivots for that opening should be M190's, not M19's.

Heavy-Duty Floor Closers Options, Certifications, Limited Warranty, Specifications

Options Continued

Degree of Swing – Follows Model Number

Single acting heavy-duty floor closers have a deadstop. This means that the door cannot go past a certain point. If ordered as a hold open closer, the hold open position is exactly the same as the deadstop. The degrees available are 85°, 90°, 95° or 105° (180° for model 27 only). It is recommended that the maximum degree of swing be ordered.

Double acting closers have a deadstop at 103° and are available with hold open options at 90 or 100°.

Non Hold Open – Suffix N

These closers do not hold the door open. This feature cannot be changed in the field.

Automatic Hold Open – Suffix A

These closers hold the door open. This feature cannot be changed in the field.

Selective Hold Open – Suffix S

These closers can be set to hold open or non-hold open. This is done via a screw control on the top of the closer. Available on Models 27 and 28 only.

Hand- Suffix RH or LH

All single acting floor closers are handed. All double acting floor closers (30, 40, H40) are non-handed.

Door Thickness – Suffix 1-3/4, 2, 2-1/4, 2-1/2 or 3

When ordering L product for lead lined doors, the thickness of the door must be given. The purpose of the L product is to have screws spaced so that they straddle the lead in the center of the door. Also used when lead lining is under the skins of the door. Recommended for use on extra heavy or high traffic doors.

Cold Weather Fluid – Suffix CWF

Cold weather fluid should be specified for exterior doors in consistently cold climates under 32° F for weeks at a time. The hydraulic fluid is of a lower viscosity to prevent sluggish closing. Cannot be used with the delayed action feature.

Extended Spindle – Suffix Extra Length

Any special floor coverings or severe door undercuts will affect the spindle height. In these applications an extended spindle may be required. See product template to determine if an extended spindle is needed. Extended spindles available in 1/2" increments up to 2" longer than standard.

1-1/2" Offset – Suffix 1-1/2

Offset is the distance from the face of the door to the pivot point. Extended offsets should not be used unless there is cladding on the face of the door or there is trim to clear on the frame. 1-1/2" offset arms and pivots are for doors with cladding or trim that project 3/4" from the face of the door.

Cover Pan (Terrazzo) – Suffix Part Number

Closers should always be accessible. They should never be buried beneath flooring materials. A cover pan sits on top of the closer and has the flooring material set in it. This way the sight line for the floor is consistent. Cover pans may require closers with longer spindles. See cover pan template to determine spindle length needed.

Special Layouts – Suffix SPLO#

Unique installations or specially engineered products are called special layouts. These numbers must be assigned by the technical support department and they must be called out specifically by their number when ordered.

Certifications

All Rixson® heavy-duty floor closers are in compliance with ANSI/BHMA 156.4 Standards. See individual products for sub sections.



Limited Warranty

Rixson heavy-duty floor closers models 27/28 and 30/40 are warranted for 10 years against defect. The model 20 closer carries a 2 year warranty. See Rixson Price Book for specific details of the limited warranty.

Specification

Floor closers shall be heavy-duty model 27 (*offset*) or model 28 (*center hung*). All closers shall be handed. Choose appropriate functions and strengths to accommodate lead lining, extra high traffic, fire rating, independently hung or quick install models. These closers shall have separate and independent checking valves, to control latch speed, closing speed and adjustable hydraulic backcheck. All single acting closers shall have a built in dead stop feature. All closers have one piece spindle assembly. Extra heavy-duty closers shall have minimum of two thrust bearings and one needle bearing. Closers shall not have compression spring.