

# SDC Security Door Controls

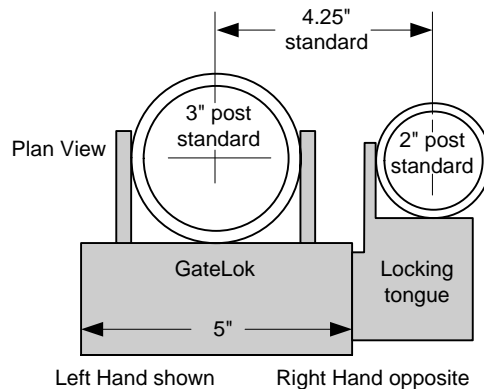
801 Avenida Acaso, Camarillo, Ca. 93041 • (805) 494-0622 • Fax: (805) 494-8861  
 www.sdcsecurity.com • E-mail: service@sdsecurity.com

## INSTALLATION INSTRUCTIONS 160, 260 SERIES GATELOCK



Four electric models are available: the GL 260A is the fail-secure (PUL) model, operating on 24 VDC; GL 263A has a built-in key switch control, GL 160A is fail-safe (PL) and has a built-in key switch control.

An adjustable automatic relock switch keeps the bolt retracted until the gate is in a closed position. A 10 Amp rated bolt position switch (BPS-GL, optional) prevents operation of the gate until the bolt is fully retracted. A gate position switch (DPS-GL, optional) is available to monitor whether a gate is opened or closed.



### Specifications

Dimensions: Width 5", Height 6-1/8", Depth 2"  
 Material: 0.120" steel  
 Finish: Cadmium plated  
 Solenoid: Continuous duty

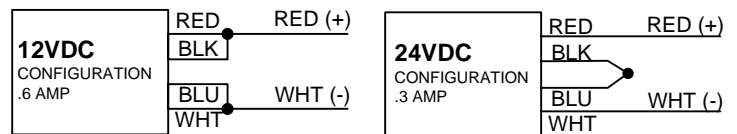
### Dual Voltage (Fail Safe):

7.2 Watts – 12VDC @ .6 Amp  
 7.2 Watts – 24VDC @ .3 Amp  
 Bolt: 5/8" dia., 5/8" throw

### Single Voltage (Fail Secure):

24VDC @ .500 Amp standard  
 (12 VDC, 24 VDC available)

### DUAL VOLTAGE SOLENOID WIRING



Any suggestions or comments to this instruction or product are welcome. Please contact us through our website or email engineer@sdsecurity.com

# CAUTION: DO NOT PLACE LOCKING TONGUE IN LOCK UNTIL WIRING IS COMPLETE

## For 160A & 260A (less key switch):

1. Remove cover and using the lock housing as a template, locate and mark mounting bolt holes on the gate post. Drill through post for 2-3/8" hex head bolts supplied. See illustration 1.
2. Determine hand of gate and install Auto Relock switch and the spring loaded centering assembly in their proper locations. See illustration 2.
3. If the wiring will come through the post, mark and drill post at lower housing hole for wiring assembly. Pull wires in through the back of housing through lower hole. Be sure to shim between the mounting brackets as required if the gate post is less than 3".
4. Wire the assembly per illustration 2 and illustration 3. Test for proper operation.
5. Insert gate lock tongue into slot and line up tongue level on gate. Mark gate for tongue mounting bolts.
6. Remove locking tongue. Drill gate and mount tongue using 4-3/8" carriage head bolts provided. See illustration 4.
7. Install housing cover with machine screws provided.

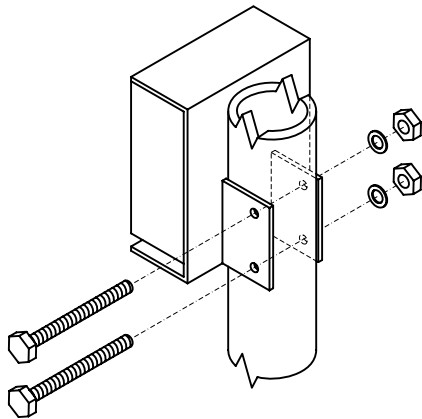


Illustration 1

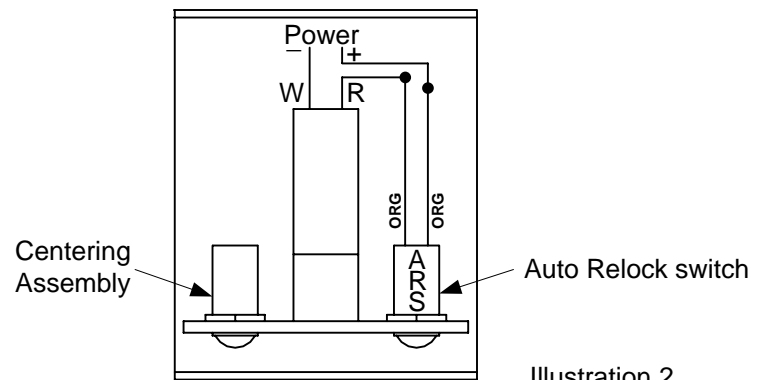


Illustration 2

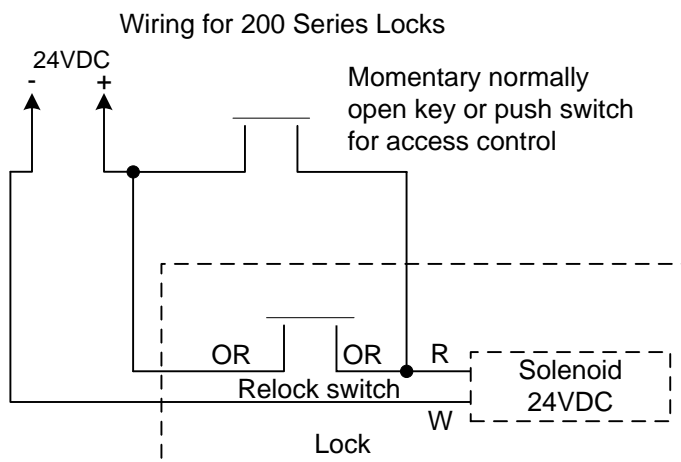


Illustration 3

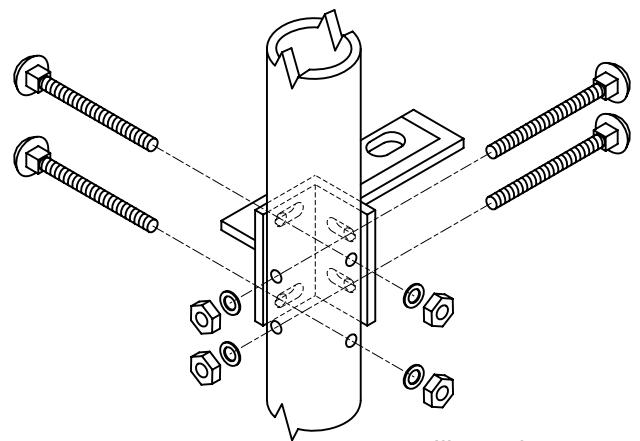


Illustration 4

**NOTE: Sliding Gate left hand and swinging gate right hand shown in illustrations 2 & 3. Exchange positions of centering assembly and automatic relock switch for opposite handing.**

For 163A & 263A (with key switch):

Follow installation steps 1 – 3 on page 2.

4. Wire the assembly per illustrations 5, 6, 7 & 8.

- a) Cylinder must be 1-1/8" mortise type with standard tailpiece. See illustrations 5 & 6.
- b) With key removed, remove and invert tailpiece. See illustration 6.
- c) Key removable in "ON" or "OFF" position as determined by wiring selection. See illustration 7.

Follow installation steps 5 – 7 on page 2.

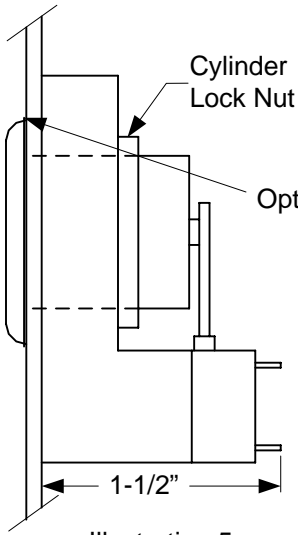


Illustration 5

Tailpiece must depress button at all times with key removed.

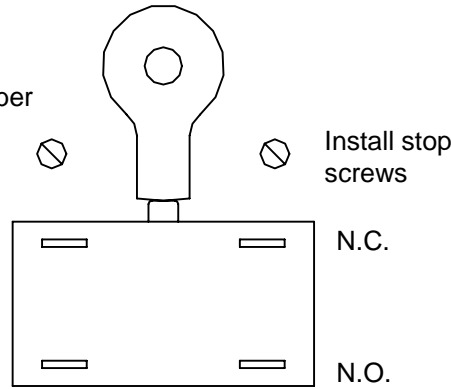


Illustration 6

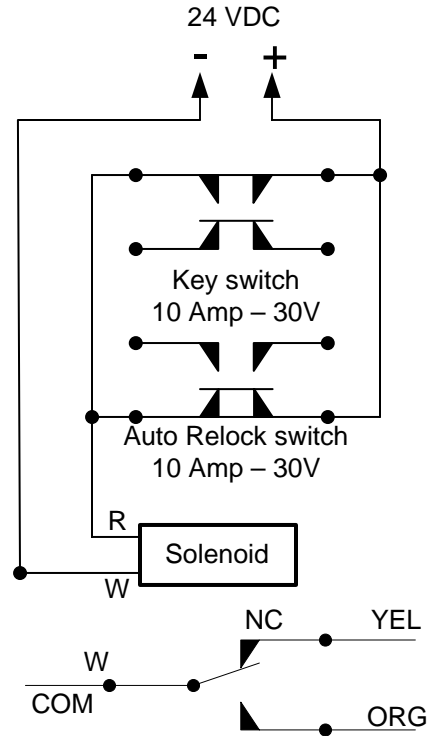


Illustration 7  
Optional bolt position switch (BPS-GL) rated 10 Amp 30V

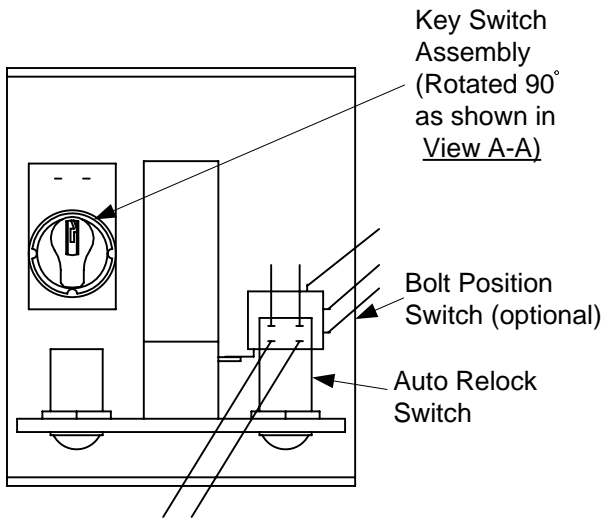
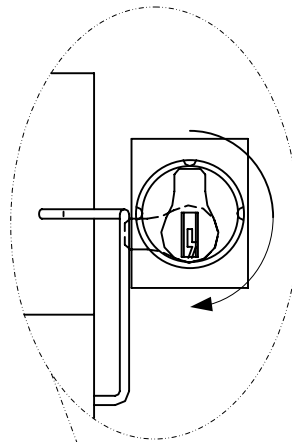
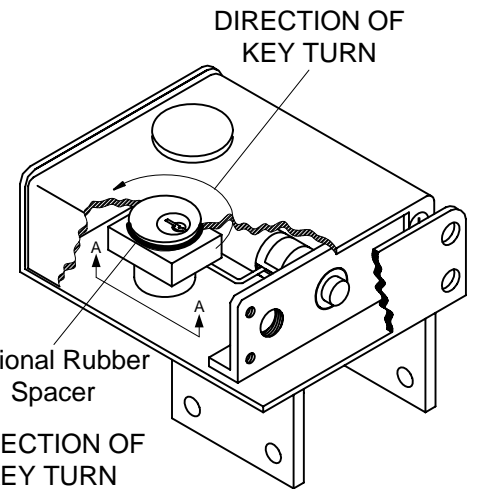
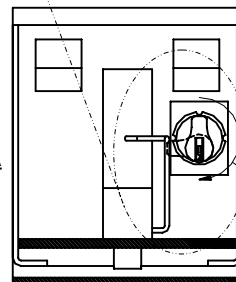


Illustration 8



VIEW A-A



If Key Cylinder is ever removed, tailpiece must contact retraction arm as shown in View A-A.