

Installation Instructions

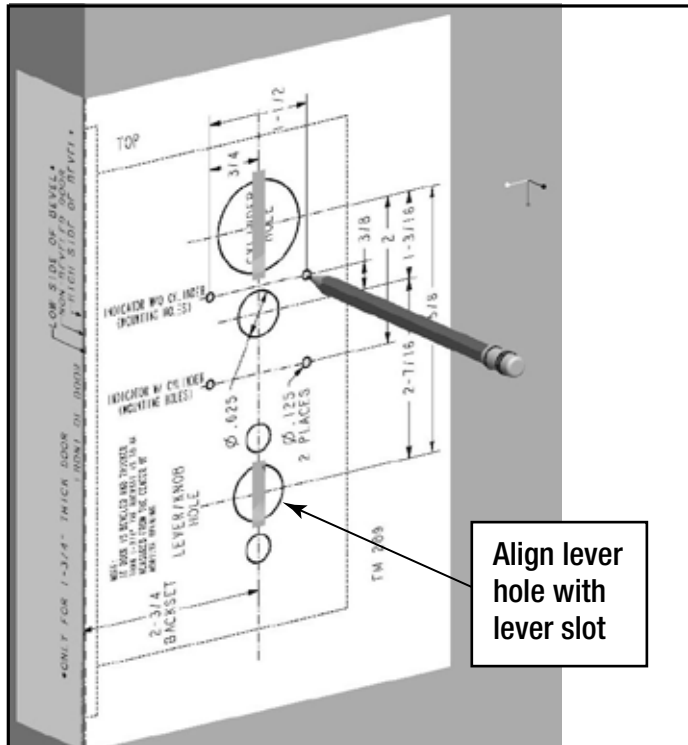
Mortise Lock Occupancy Indicators (without cylinder)

ASSA ABLOY

FM289 06/08 (617417890)

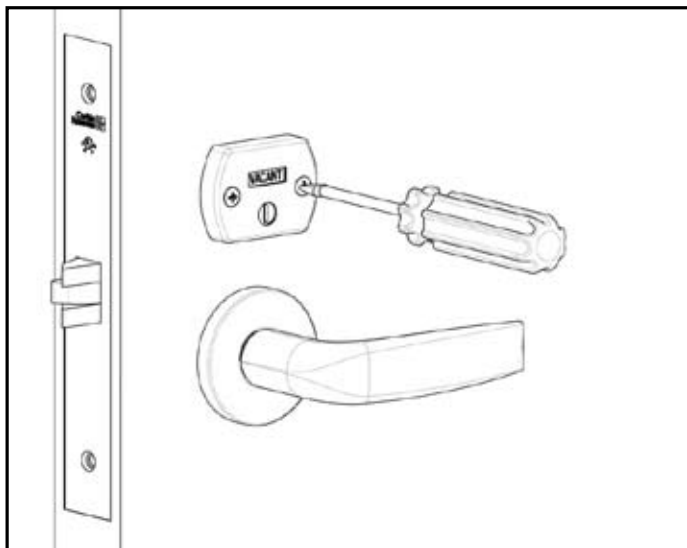
STEP 1

Mark holes using door marker (FM298)



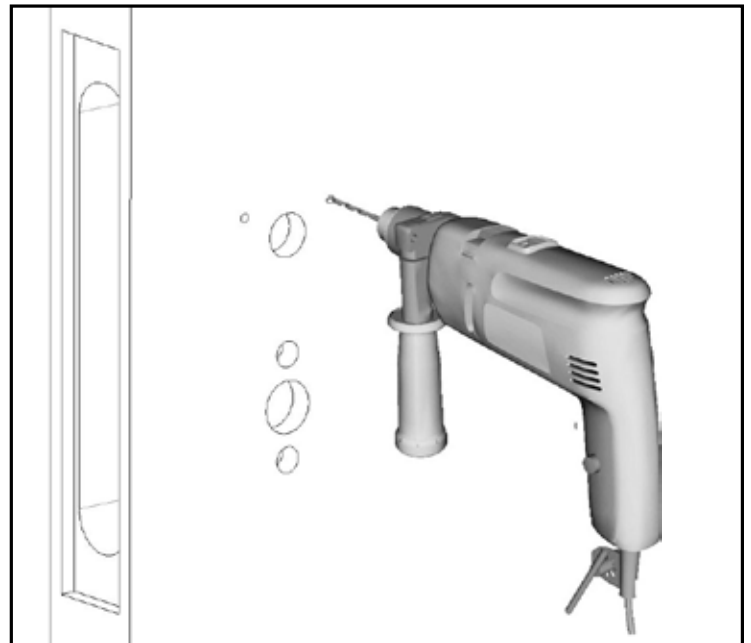
STEP 3

Install lock, then screw indicator onto door.



STEP 2

Drill two .125" diameter holes
(where marked, thru inside door surface)



NOTE: When installing, make sure lock is unlocked, deadbolt is retracted and indicator shows green window (unsecure / vacant)

VACANT

~~**OCCUPIED**~~

OR

UNSECURE

~~**SECURE**~~