

A new way in.

Handlesets F Series

Your front door is more than just a secured entrance, it's also a showpiece – one of the first things a guest sees. That's why it's important to choose the right handleset. Schlage offers a wide variety of designs and finishes, from angular to flowing, classic to contemporary, all designed to ensure that your front door is the perfect introduction to your home.

Express your style

- Available in a variety of unique finishes to complement your home's style
- Decorative trim options add the perfect finishing touch
- Choose from a wide range of interior knob and lever styles

Proven quality & durability

- Designed for strength and durability
- Larger, solid 1-inch bolt
- Stronger, durable finish meets all industry requirements backed by a limited lifetime warranty*
- Highest residential security rating

Easy installation

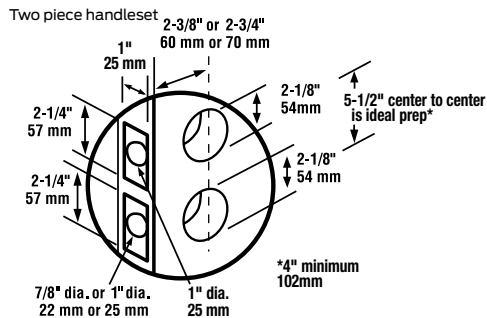
- Installs in minutes with a screwdriver
- Adjustable pieces guarantee fit on standard doors
- Simple 3-step deadbolt assembly

*See the product warranty for full details

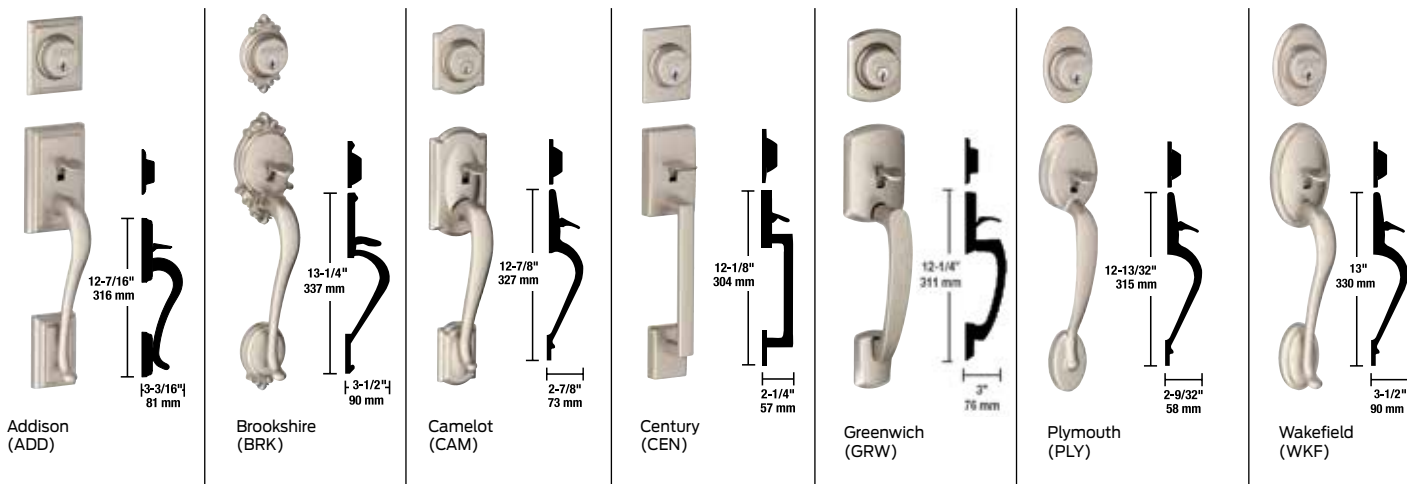
Finishes

Handlesets	605	608	609	613	618	619	620	621	622	625	626	716
Addison
Brookshire
Camelot
Century
Greenwich
Plymouth
Wakefield

Door preparation



F58 Available Exterior Styles



Style is in the details.

Knobs & levers F Series

Schlage believes that the “finishing touch” is just as important as the first. Which is why we make distinctive door hardware designed not just to match your personal style, but to welcome you home. From classic looks that never go out of style to bold contemporary designs, our knobs and levers fit and accentuate virtually any décor – and, with multiple functions available, any door.

Proven quality & durability

- Highest residential security rating
- Safe and Easy Exit keyed entry lock unlocks when the door is opened from the inside, allowing you to leave quickly and conveniently, and re-enter easily
- Limited lifetime finish and mechanical guarantee*

Easy installation

- Guaranteed to fit on standard doors
- Installs in minutes with a screwdriver
- Reversible levers available
- Self-guiding screws align and snap themselves into place
- Universal latches slide easily into place, requiring no additional tools or manual adjustments

*See the product warranty for full details

Specifications

Applications	Residential single-family and multi-family use
Certifications	ANSI A156.2, 1996, Series 4000 Grade 2. UL Listed locks for 3-hour fire doors are furnished with #10-001 T strike, 1 1/8" x 2 3/4" (29mm x 70mm), 1 1/8" (29mm) lip (also available with standard product). Assembled to order when specified with "F" suffix. Example: F51F
Exposed trim	Levers are plated to match finishes indicated.
Keying	5-pin tumbler C keyway with two keys. All F51A functions offer interior emergency exit feature.
Door range	1 3/8" to 1 3/4" (35mm to 44mm) standard.
Backset	Fits either 2 3/8" (60mm) or 2 3/4" (70mm) backset.

Door preparation

