

HES® ES100 Series Wireless Electric Strike

The most versatile way to retrofit an opening with real-time online access control



The HES ES100 Series Wireless Electric Strikes make online access control simple and affordable.

For the first time, the industry leading features of the HES 1500 and 1600 series electric strikes have been paired with Aperio® wireless technology to provide even more affordable access control retrofit options for remote control and monitoring. Available in both Convenient (non-monitored) and Secure (monitored) model options. Compatible with most models of cylindrical and mortise latchbolt locksets, including 1" deadbolts. Simply put, the HES ES100 Series Electric Strike is the affordable, universal retrofit solution that offers flexible configuration options and dynamic adjustability without the need to run wires.

Features

Standard Features (All Models)

- 2.4 GHz Aperio wireless technology
- Integrates with existing access control systems and credentials
- Audit trail limited by access control system
- Battery operated for stand-alone operation
- SecuriCare three-year, no-fault, no questions asked warranty

Electric Strike Features

- Non-handed
- Fail secure operation (standard)
- Static strength 1,500 lbs
- Dynamic strength 70 ft-lbs
- Interchangeable faceplates and accessories
- Factory configured monitored (M) and non-monitored options
 - M Security – Monitored (Latch and Door Position Monitor)
 - MH Security – Monitored Kit with AH20 1:1 Wiegand Hub
- Integrated locked state and tamper monitoring

- Field adjustable integrated shim for changing door conditions
- Fully finished faceplate, keeper, case, trim, and strike body
- Stainless steel construction
- Tamper resistant
- Strike body depths
 - 1500: 1-3/8" [35mm]
 - 1600: 1-5/8" [41mm]

Card Reader Features

- Supports HID multiCLASS SE® card technologies
- Supports NFC & BLE mobile access credentials
- BiColor LED visual status indicators; Red/Amber or Green/Amber



NOTE: The HES ES100 Electric Strike is available as either a pre-paired lock and hub kit (no certification required) or as a field configurable component (requires Aperio® Certified Integrator certification). Pre-paired kits support limited features. Field configured devices are required in order to support all options. Visit IntelligentOpenings.com to learn more.



Grade 1



SecuriCare Warranty



Mortise Locks with Deadbolt



Mortise Locks without Deadbolt



Cylindrical Locksets



Fire Rated



Windstorm Resistant



Burglary Rated

HES ES100 Series Wireless Electric Strike

Accessories (For use with all models)

- 157 Torx screws
- HES-CUT-MTK Metal template kit
- Latch Guard
- OPT-1SRK Spring replacement kit
- OPT-1LM Single lock monitor
- EXT-10-ANT Aperio® Hub External Antenna (Omni-directional)

For use with 1500 models (XXX – finished to match)

- 1500-104-XXX Lip extension trim adapter
- 1500-106-XXX 4500 adapter and trim enhancer kit

For use with 1600 models (XXX – finished to match)

- 1600-104-XXX Lip extension trim adapter
- 1600-106-XXX 1006 adapter and trim enhancer kit

Specifications

Certifications

- UL 294 listed
- FCC Part 15 & Industry Canada Compliant
- CE Red – Radio Equipment Directive – 2014/53/EU
- UL 1034 burglary-resistant
- UL 10C fire rated, 3-hour single door (fail secure only)
- UL 10C fire rated, 1-1/2 hour double door (fail secure only)
- CAN/ULC-S2014 fire door conformant
- NFPA-252 fire door conformant
- ASTM-E152 fire door compliant
- California Fire Marshall listed
- ANSI/SDI A250.13 windstorm resistant
- Florida Building Code approved TAS 201, 202, 203
- ANSI-ASTM E330
- RoHS compliant

Frame Application

- Metal
- Wood

Electrical

- Estimated Battery Life: 45,000 Cycles*
- (2) "AA" lithium batteries (included)
 - AA LR6 (1.5 V) Lithium Ion Batteries required. Use of other types of batteries, such as alkaline, will significantly decrease battery life.
- microUSB port for emergency power

*All battery life claims are approximate and based on a set configuration profile. Battery performance is based on pre-defined system settings such as battery chemistry and battery model used, credential presentation settings (LED/buzzer), UHF polling period, UHF status intervals, and operations per day. Actual battery performance will vary and depends on the factors above.

Environmental

Electric Strike

- **Operating Temperature** 32° to 122° F [0° to 50° C]
- **Operating Humidity** 0 to 90% relative humidity non-condensing

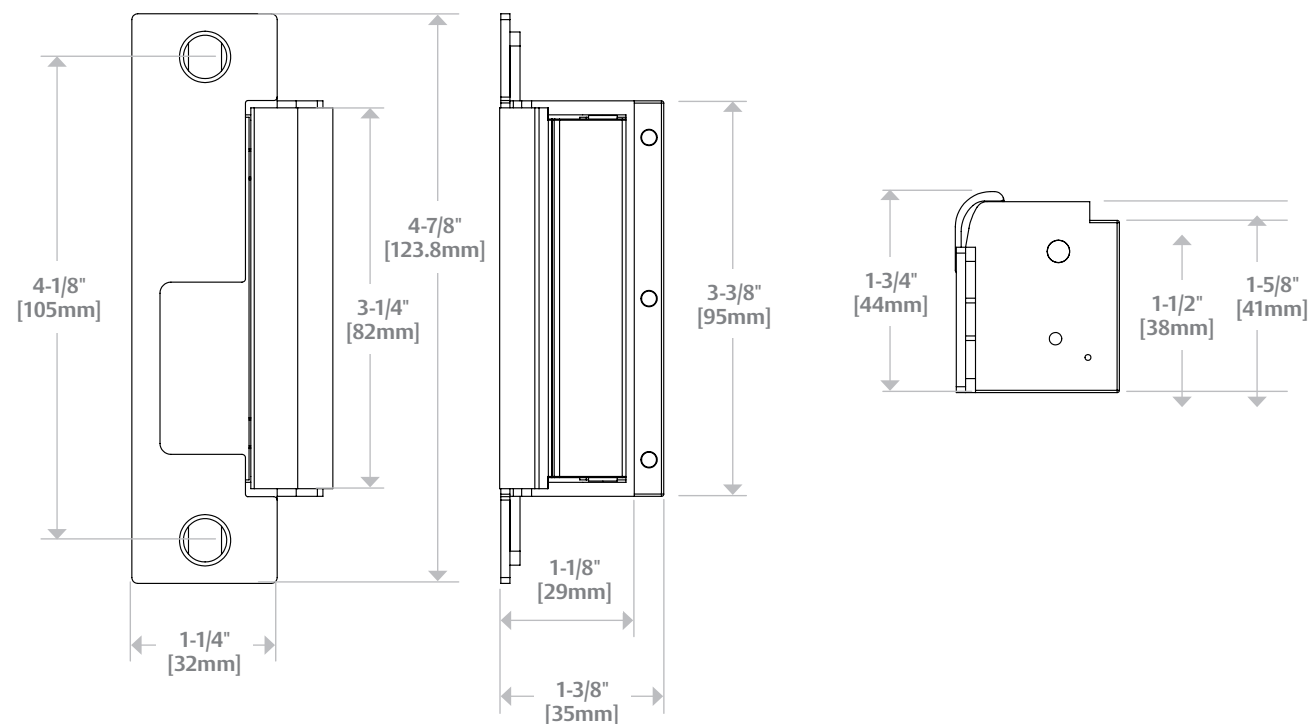
Card Reader

- **Operating Temperature** 32° to 122° F [0° to 50° C]
- **Operating Humidity** 0 to 90% relative humidity non-condensing
- Tested to IP65 for use in indoor or exterior inswing applications

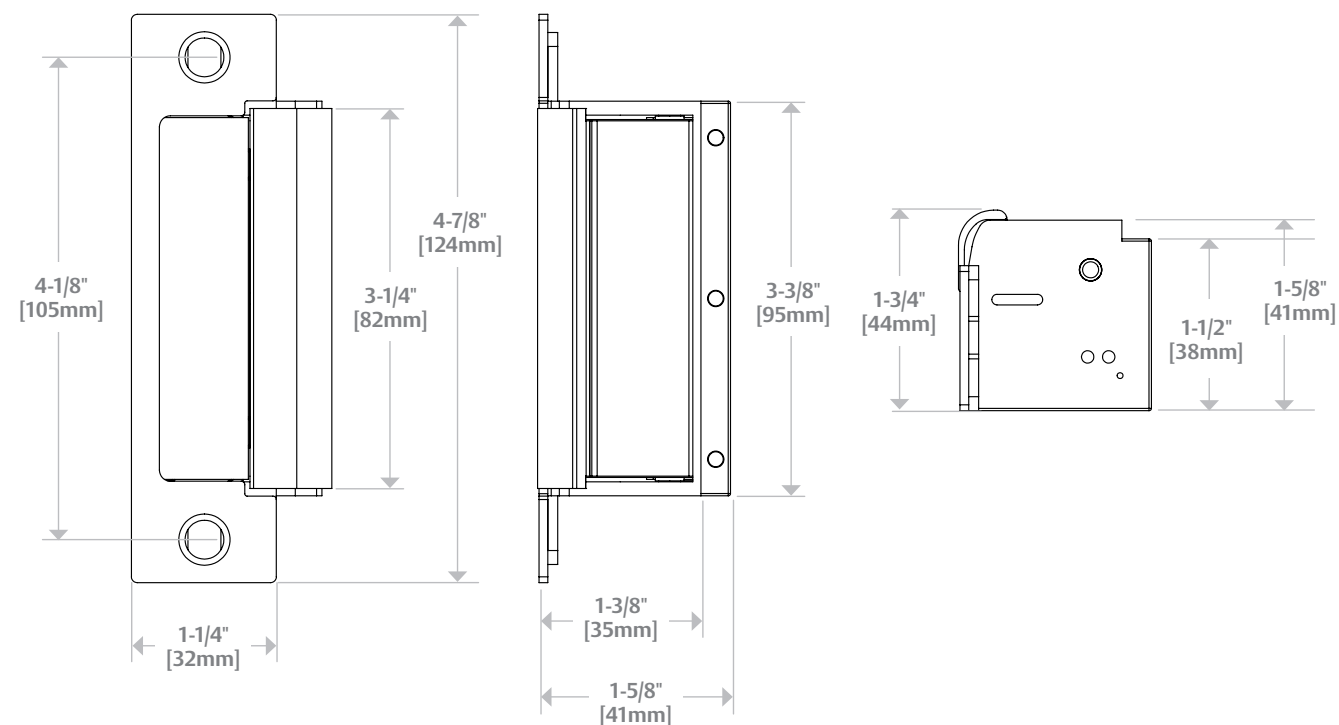
Card Technology HID® multiCLASS SE®

- **High Frequency (13.56 MHz)**
 - HID iCLASS®
 - HID iCLASS SE® (SIO®-enabled)
 - HID iCLASS® Seos®
 - HID MIFARE® SE
 - HID DESFire® EV1 SE
 - MIFARE CLASSIC
 - DESFire® EV1
 - NFC mobile access
- **Low Frequency (125 kHz)**
 - HID Prox®
 - AWID
 - EM4102
 - ioProx
- NFC/BLE mobile access credentials

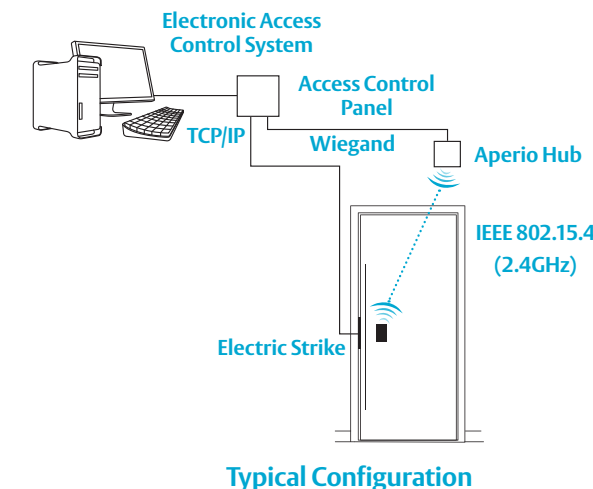
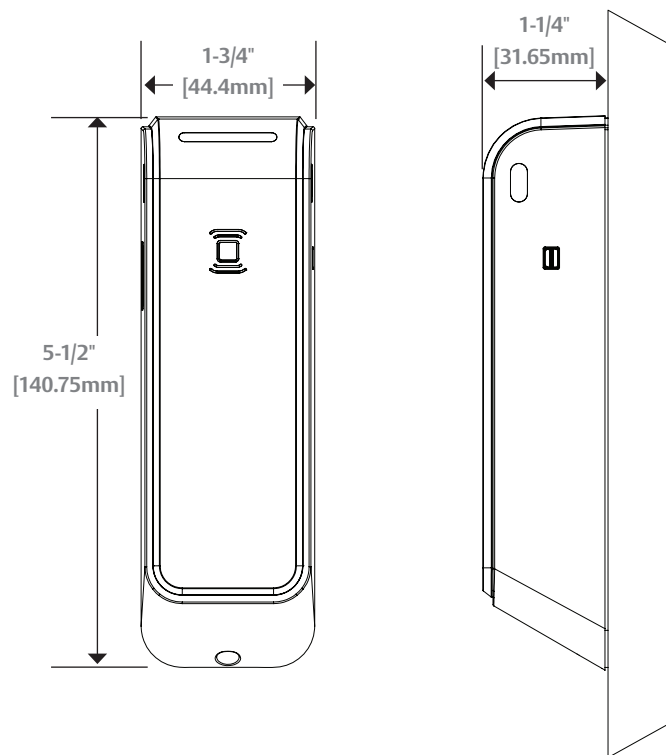
1500 Dimensions



1600 Dimensions



Reader Dimensions



Local wireless communication eliminates the cost and inconvenience of wiring in and around the door, without the hassle of complex site surveys.

- Reader Harness Length 9" [228.6 mm]
- Strike Harness Length 7" [177.8 mm]
- Strike DPS/Latch Monitor Harness Length 10" [254mm]

How to Order

PRODUCT FAMILY	COMMUNICATION	MODEL SERIES	FACEPLATES	OPTIONS	CARD TECHNOLOGY	STRIKE FINISH
ES	100	- 15	L	M	-IPS	- 630
Electric Strike	100 Aperio Wireless	15 Reader and 1500 Strike 16 Reader and 1600 Strike	(blank) Strike Body Only L Complete Pac for Latchbolts D* Complete Pac for Deadbolts S* Complete Pac for Latchbolts and Deadbolts	(blank) Convenience — Non-Monitored M Security — Monitored H** Wholesale Kit MH** Wholesale Kit with Monitoring for High Security	IPS RFID (HID multiCLASS SE) BIPSXXXXX*** RFID + BLE (HID multiCLASS SE)	605 Bright Brass 606 Satin Brass 612 Satin Bronze 613 Bronze Toned 613E Dark Oxidized Satin Powder 629 Bright Stainless Steel 630 Satin Stainless Steel BSP Black Suede Powder

*Available with 1600 Only. **Kit includes integrated lock paired with Wiegand 1:1 wireless hub. Only available with L or S Complete Pac Options in 630 finish. ***XXXXX is a unique or customer specific key that is only reorderable for that specific company.