

Simplex®

EE1000 Series



SIMPLEX®



- Mechanical Pushbutton Lock
- Control Both Entry and Egress
- Single Access Code
- Cylindrical
- Knob

Features

Access Control:	Mechanical pushbutton lock eliminates problems and costs associated with issuing, controlling, and collecting keys and cards. Provides interior and exterior access by combination.
No Battery:	Fully mechanical lock eliminates the material and labor expense of battery replacements
Locking Device Options:	Cylindrical latch with 3-hour UL/ULC fire rating on "A" labeled doors
Number of Codes:	Single access code—one easy-to-manage code for all users
Programming:	Lock is easily programmed via keypad without removing lock from the door
Handing:	Factory-handed for left hand doors; field reversible
Key Override (Optional):	Small format interchangeable cores, large format removable cores
Operation Modes:	Single credential access Single credential egress
Economical:	A cost effective access control solution

Mechanical Features

Construction:	Heavy-duty cylindrical lock with cast front and back housings; cast knobs
Numeric Keypad:	Vandal resistant, solid metal pushbuttons
Door Handing:	Factory-handed for left hand doors; easily field reversible
Standard Finishes:	Antique Brass 05 (609), Satin Chrome 26D (626)
Optional Finishes:	Bright Chrome 026 (625), Bright Brass 03 (605)
Backset:	2¾" (70 mm)
Latch:	½" (13 mm) throw latch, ¾" (19 mm) throw latch (optional)
Strike:	Standard strike plate; ASA strike plate
Minimum Stile Recommended:	5" (127 mm)
Weight:	10.25 lbs. (4.6 kg)

Key Override

Interchangeable Cores:	Small format—Best and equivalents (6 or 7-pin length)
Removable Cores:	Large format—Medeco/ASSA/Yale/Abloy (5 or 6-pin length), Corbin Russwin, Schlage, and Sargent

Installation

Door Preparation:	ASA 161-door preparation with additional through bore holes
Door Thickness:	1¼" (44 mm) to 2¼" (57 mm); modified lock for more than 2" (51) thick door (up to 2 ¼") available (specify when ordering)
Items Supplied Include:	Lock assembly, installation manual, full-scale template, combination change tool and required installation hardware

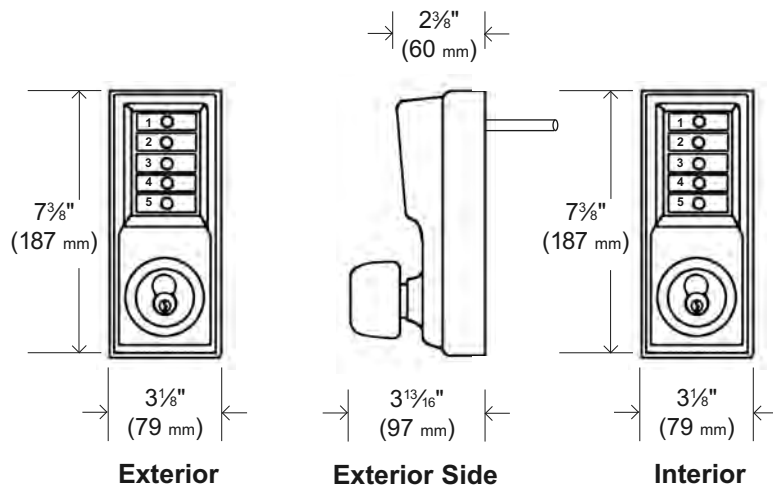
Certification and Testing

Durability:	Weather resistant
Fire Rating:	3-hour UL/ULC fire rating for "A" labeled doors

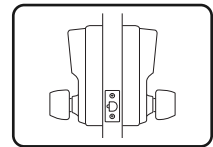
Warranty

Warranty:	1-year warranty
------------------	-----------------

Cylindrical

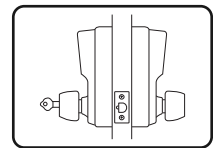


Model EE101x/EE101x



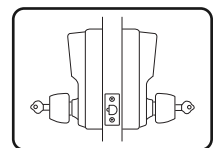
- Combination Entry
- Combination Egress

Model EE102x/EE101x



- Combination Entry
- Combination Egress
- Key Override Entry (not supplied)

Model EE102x/EE102x



- Combination Entry
- Combination Egress
- Key Override Entry (not supplied)
- Key Override Egress (not supplied)