

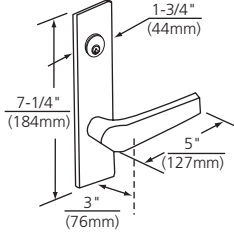


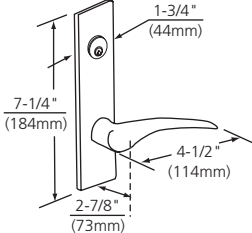


Vertical Rod Trims and Functions

ED7400 Series

Vertical Rod Exit Device	ANSI Type	Type	ANSI No.	Function Description
ED7400	5	Exit Only	01	<ul style="list-style-type: none"> Exit only; no trim. (Accepts operator trim.)
ED7401	5	Exit Only	01	<ul style="list-style-type: none"> Exit only; no trim. (Accepts lever trim. 1-3/4" door only.)
For Dummy and Nightlatch functions, see Trim Designs below.		Classroom	08/11	<ul style="list-style-type: none"> Free at all times, except when locked by key.
		Nightlatch	03/04/09/12	<ul style="list-style-type: none"> Always rigid. Key removable only when locked.

Lever Trim Design (Available with ED7401 devices only.)			Trim/Function	
			Classroom ANSI No. 08	Nightlatch ANSI No. 03/04/09
	<p>Citation C4 Lever: Cast Escutcheon: Cast Cylinder: Mortise A02 MR Cylinder: 4266-001-A02 *1-3/4" thick door only</p> 		C455ET	C457ET
	<p>Dirke D4 Lever: Cast Escutcheon: Cast Cylinder: Mortise A02 MR Cylinder: 4266-001-A02 *1-3/4" thick door only</p> 		D455ET	D457ET