

Excel™ E300 Micro Cabinet Lock

SDC DESIGNED AND MANUFACTURED

Eliminate keys and expand the reach of access control systems to drawers, cabinets and lockers – any critical use - where the application of a compact, specialized electromagnetic lock provides a higher level of security. SDC's E300 is a connected access control solution that is virtually maintenance free and has a lock status output for remote monitoring and system application needs.

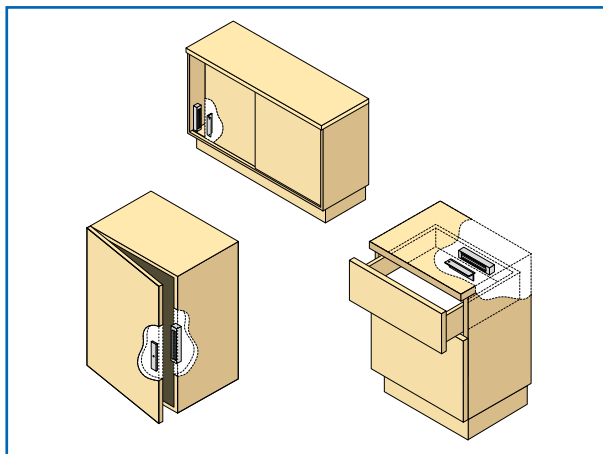


FEATURES

- Failsafe Operation
- Easy installation in small cabinets or restricted spaces. No special tools are required.
- No moving parts, virtually maintenance free.
- Spike and surge protection for solid-state devices on same line.
- Lock Status
- Interlocking Quick Mount Assembly
- Mounting Bracket with Sheet Metal Screws
- Wire Access Chamber with Terminal Block
- Dual Voltage 12/24VDC
- 628 Clear Anodized Aluminum housing

APPLICATIONS

Cabinets
Drawers
Display cases
Machine equipment housings
Gun safes
Package pass through doors



SPECIFICATIONS

MECHANICAL

| | |
|----------------------|---------------------------------------------------------|
| Holding Force | 300 Lbs/136 Kg |
| Lock | 7" L x 1.625" H x 0.875" D; (178L x 41H x 22D mm) |
| Armature | 5.125" L x 1.25" H x 0.3125" D; (130L x 32H x 8D mm) |

ELECTRICAL

| | |
|-------------------------------|-------------------------------------------------------------------------------------------------------------------------------------|
| Circuitry & Wiring | PC board with voltage and current spike protection, instant release anti-residual magnetism circuit, terminal block for power input |
| Voltage | Dual 12/24VDC +/-10%, field selectable jumper pin connections |
| Current | 360 mA @ 12VDC; 180 mA @ 24VDC |
| Lock Status Contact | SPDT, 250 mA @ 30VDC |