



- Mechanical Pushbutton Lock
- Single Access Code
- Cylindrical, Exit Trim, and Mortise
- Lever/Knob
- ANSI/BHMA Grade 1 Certified

Features

Access Control:	Mechanical pushbutton lock eliminates problems and costs associated with issuing, controlling, and collecting keys and cards. Provides exterior access by combination, while allowing free egress.																										
No Battery:	Fully mechanical lock eliminates the material and labor expense of battery replacements																										
Locking Device Options:	<p><u>Cylindrical:</u> Cylindrical latch with 3 hour UL/ULC fire rating on "A" labeled doors</p> <p><u>Rim Exit Device:</u> Compatible with most leading brands of Exit Devices (Exit Device and mounting hardware not included). Universal mounting plate (included) simplifies installation and eliminates any requirement to stock different locks/plates for various Exit Devices.</p> <p><u>American Standard Mortise:</u> With 1¼" (32 mm) face plate; with and without deadbolt</p>																										
Exit Device Compatibility:	<p>For the most accurate listing of compatible Exit Devices, see this page on our website</p> <table border="0"> <tr> <td>Arrow S1250</td> <td>Precision 21/FL21</td> </tr> <tr> <td>Arrow S3883F/S3800</td> <td>Sargent 2828</td> </tr> <tr> <td>Black & Decker (K-2) QED111/112</td> <td>Sargent 3828</td> </tr> <tr> <td>Cal Royal 9800</td> <td>Sargent 8810E/8800</td> </tr> <tr> <td>Cal Royal 2200</td> <td>Sargent 8888</td> </tr> <tr> <td>Corbin Russwin ED5200/5200A</td> <td>Von Duprin 22/22F</td> </tr> <tr> <td>Detex 1001 BP1</td> <td>Von Duprin 98/98F</td> </tr> <tr> <td>Detex 10/F10 Series</td> <td>Von Duprin 99/99F</td> </tr> <tr> <td>Dorex 8500R/8500F</td> <td>Von Duprin XP98/99</td> </tr> <tr> <td>Dorex 9500PR/9500FR</td> <td>Von Duprin 25</td> </tr> <tr> <td>Dorma 9300/F9300</td> <td>Yale YME2100/2100</td> </tr> <tr> <td>Dorma 9400B/F9400</td> <td>Yale 7100</td> </tr> <tr> <td>Monarch 18R*, F18R*</td> <td></td> </tr> </table> <p>*(requires special K-Hub Adapter)</p> <p>• Cannot be used with mortise design or most vertical rod Exit Devices</p> <p>ATTENTION: Compatibility is subject to change if modifications are made by Exit Device manufacturers without Kaba Access Control's knowledge</p>	Arrow S1250	Precision 21/FL21	Arrow S3883F/S3800	Sargent 2828	Black & Decker (K-2) QED111/112	Sargent 3828	Cal Royal 9800	Sargent 8810E/8800	Cal Royal 2200	Sargent 8888	Corbin Russwin ED5200/5200A	Von Duprin 22/22F	Detex 1001 BP1	Von Duprin 98/98F	Detex 10/F10 Series	Von Duprin 99/99F	Dorex 8500R/8500F	Von Duprin XP98/99	Dorex 9500PR/9500FR	Von Duprin 25	Dorma 9300/F9300	Yale YME2100/2100	Dorma 9400B/F9400	Yale 7100	Monarch 18R*, F18R*	
Arrow S1250	Precision 21/FL21																										
Arrow S3883F/S3800	Sargent 2828																										
Black & Decker (K-2) QED111/112	Sargent 3828																										
Cal Royal 9800	Sargent 8810E/8800																										
Cal Royal 2200	Sargent 8888																										
Corbin Russwin ED5200/5200A	Von Duprin 22/22F																										
Detex 1001 BP1	Von Duprin 98/98F																										
Detex 10/F10 Series	Von Duprin 99/99F																										
Dorex 8500R/8500F	Von Duprin XP98/99																										
Dorex 9500PR/9500FR	Von Duprin 25																										
Dorma 9300/F9300	Yale YME2100/2100																										
Dorma 9400B/F9400	Yale 7100																										
Monarch 18R*, F18R*																											
Number of Codes:	Single access code—one easy-to-manage code for all users																										
Programming:	Lock is easily programmed via keypad without removing lock from the door																										

Handing:	Non-handed, pre-assembled for left-hand door installations; easily changed in the field
Key Override:	Key-in-lever cylinders, small format interchangeable cores, and large format removable cores
Operation Modes:	Single credential access <u>Passage</u> (select models)—allows access without using the lock entry code. Feature activated from the inside with a thumbturn or key (included with all passage feature models). <u>Exit Trim</u> may be “dogged” if Exit Device allows <u>Lockout</u> (select models)—disables the lock from the inside so that the entry code cannot be used to gain access. Access is permitted using the key override only when in this mode (5067 model only).
Direct Drive Design:	Clutch free design minimizes friction and wear
Economical:	A cost effective access control solution

Mechanical Features

Construction:	Extra heavy-duty, solid cast housings, solid cast levers, and wear tested for extensive use in indoor and outdoor applications
Numeric Keypad:	Vandal resistant, solid metal pushbuttons
Handing:	Non-handed, pre-assembled for left-hand door installations easily changed in the field
Standard Finishes:	Satin Chrome 26D (626) housings and levers Black 676 housings with Satin Chrome 26D (626) levers and accents
Optional Finishes:	Bright Brass 03 (605) housings and levers Bright Chrome 026 (625) housings and levers Dark Bronze 744 housings and levers with Brass accents Satin Brass 04 (606) housings and levers
Backset:	<u>Cylindrical</u> : 2¾" (70 mm) backset, 2¾" (60 mm) backset <u>Exit Device</u> : varies by Exit Device <u>Mortise</u> : 2¾" (70 mm) backset
Latch:	½" (13 mm) latch, ¾" (19 mm) latch (optional)
Minimum Stile Recommended:	5" (127 mm)
Weight:	<u>Cylindrical</u> : 9 lbs. (4.08 kg) <u>Exit Device</u> : 8 lbs (3.63 kg) <u>Mortise</u> : 12 lbs (5.44 kg)

Key Override

Universal Key-In-Lever Cylinders:	Includes Kaba 1599 6-pin cylinder (prepped to Kaba 90 or Schlage "C" Keyway, keyed different) and tailpieces for compatibility with:																		
	<table border="0"> <tr> <td>Abloy 5277</td> <td>Kaba Peaks 1099</td> </tr> <tr> <td>Abloy 5477</td> <td>Marks</td> </tr> <tr> <td>Arrow C 100</td> <td>Medeco 20W200H1</td> </tr> <tr> <td>ASSA 65611</td> <td>Sargent 10 Line</td> </tr> <tr> <td>ASSA 65691</td> <td>Schlage 23-001</td> </tr> <tr> <td>Corbin Russwin 2000-03</td> <td>Schlage Primus 20-760</td> </tr> <tr> <td>Kaba 1539</td> <td>Australian: Kaba expert 107K5 and Boyd KC286</td> </tr> <tr> <td>Kaba 1599</td> <td>European: Quattro S/Expert an AP2 (5 and 6-pin)</td> </tr> <tr> <td>Kaba Gemini 4730</td> <td></td> </tr> </table>	Abloy 5277	Kaba Peaks 1099	Abloy 5477	Marks	Arrow C 100	Medeco 20W200H1	ASSA 65611	Sargent 10 Line	ASSA 65691	Schlage 23-001	Corbin Russwin 2000-03	Schlage Primus 20-760	Kaba 1539	Australian: Kaba expert 107K5 and Boyd KC286	Kaba 1599	European: Quattro S/Expert an AP2 (5 and 6-pin)	Kaba Gemini 4730	
Abloy 5277	Kaba Peaks 1099																		
Abloy 5477	Marks																		
Arrow C 100	Medeco 20W200H1																		
ASSA 65611	Sargent 10 Line																		
ASSA 65691	Schlage 23-001																		
Corbin Russwin 2000-03	Schlage Primus 20-760																		
Kaba 1539	Australian: Kaba expert 107K5 and Boyd KC286																		
Kaba 1599	European: Quattro S/Expert an AP2 (5 and 6-pin)																		
Kaba Gemini 4730																			

5000 Series

Interchangeable Cores:	Small format—Best and equivalents (6 or 7-pin length)
Removable Cores:	Large format—Medeco/ASSA/Yale/Abloy (5 or 6-pin), Corbin Russwin, Schlage, and Sargent

Installation

Door Preparation:	Easily installs on wood or metal doors. ASA 161 door preparation with additional through holes.
Door Thickness:	<u>Cylindrical:</u> 1½" (35 mm) to 2¼" (57 mm). Pre-assembled to accommodate doors 1⅝" (41 mm) to 2" (51 mm). <u>Exit Trim and Mortise:</u> 1¼" (44 mm) to 2¼" (57 mm). Pre-assembled to accommodate doors 1¼" (44 mm) to 2⅝" (54 mm).
Items Supplied Include:	Lock assembly, installation manual, full scale template and required installation hardware
Additional Items Supplied With Key-in-Lever Cylinder Model Only:	Universal Kaba 1599 6-pin cylinder with tailpiece and two nickel silver keys

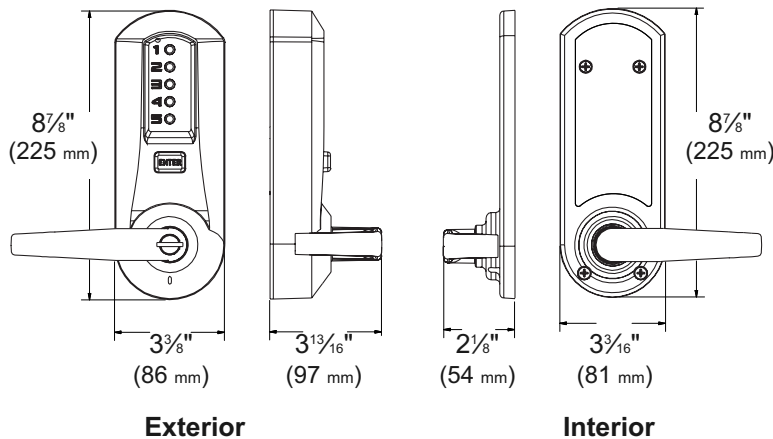
Certification and Testing

Accessibility Standard:	Americans with Disabilities Act (ADA)
Durability:	ANSI/BHMA Grade 1 Certified (A156.2, 156.13); weather resistant, wear tested for extensive use in indoor and outdoor applications
Fire Rating:	3-hour UL/ULC fire rating for "A" label doors and installed with an existing fire-rated exit device (where applicable)

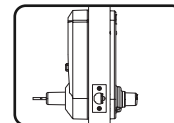
Warranty

Warranty:	3-year warranty
------------------	-----------------

Cylindrical

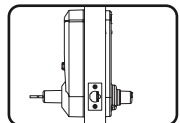


Model 502x



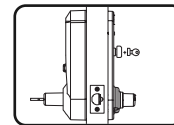
- Combination Entry
- Key Override
- Exterior Combination Change
- Knob Available

Model 503x



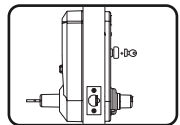
- Combination Entry
- Key Override
- Interior Combination Change, D.O.D. Compliant
- Knob Available

Model 504x



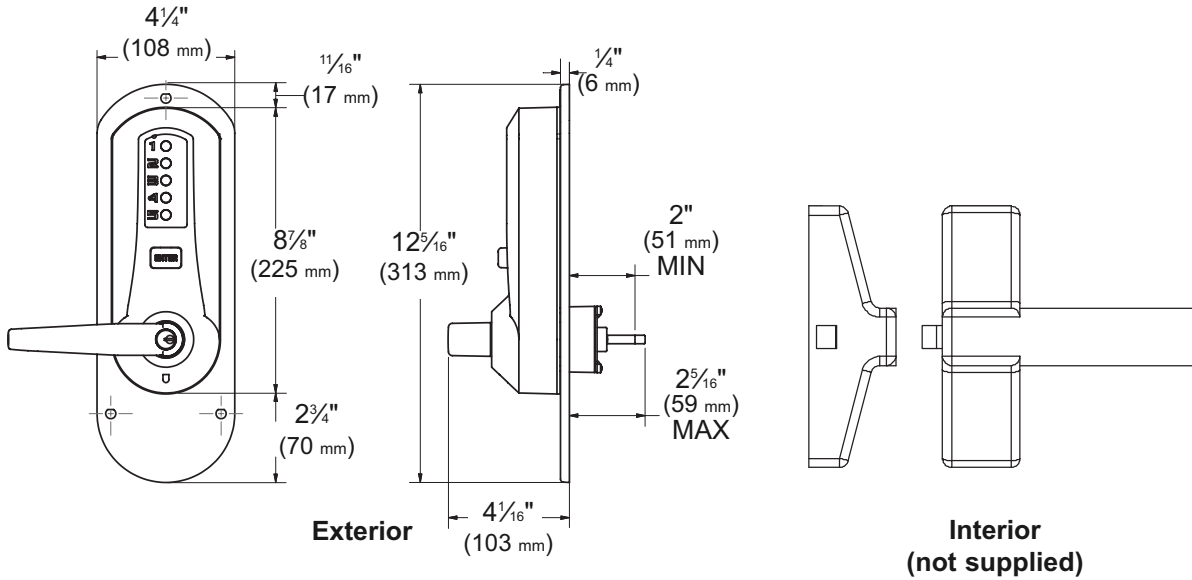
- Combination Entry
- Key Override
- Exterior Combination Change
- Passage
- Knob Available

Model 505x

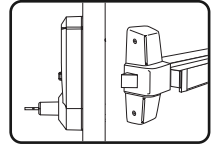


- Combination Entry
- Key Override
- Interior Combination Change, D.O.D. Compliant, Passage
- Knob Available

Exit Trim



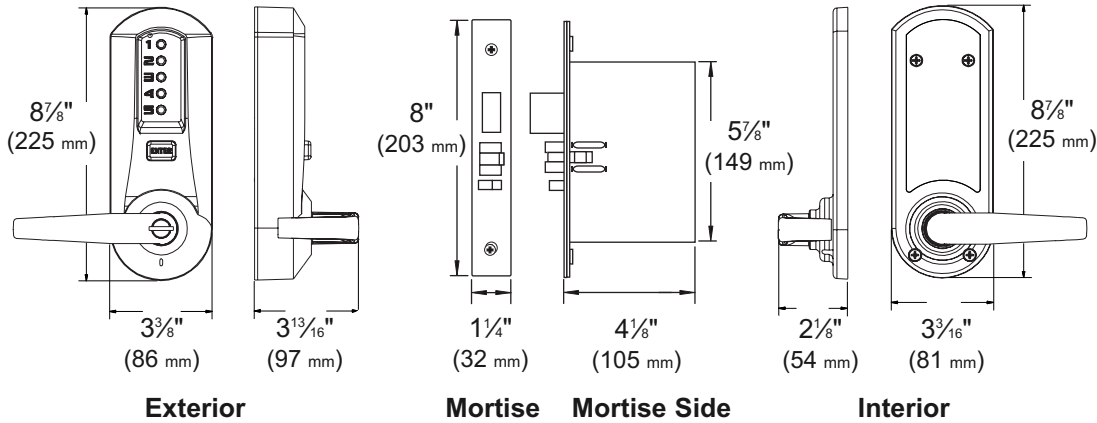
Model 5010



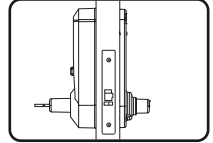
- Combination Entry
- Key Override
- Exterior Combination Change (only)
- Egress with Exit Device (not supplied)

SIMPLEX®

Mortise

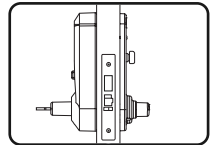


Model 5066



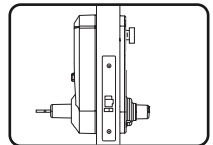
- Combination Entry
- Key Override (not supplied)

Model 5067



- Combination Entry
- Key Override (not supplied)
- Deadbolt
- Lockout

Model 5068



- Combination Entry
- Key Override (not supplied)
- Passage