



# Electromagnetic Locks

# DM62 Magnalock®

*The ultimate 1,200 lbs holding force Magnalock double magnet for indoor/outdoor high security*



The versatile DM62 electromagnetic lock offers strength and ease of maintenance for interior, perimeter and exterior access control—in a compact double magnet.

This all-in-one unit is designed for double doors with no mullion. With unsurpassed durability, the DM62 will last long after most buildings wear out.

## Features

### Standard Features

- Ultra-secure collapsing blind nuts mount to door frame for strength and reliability
- Fully sealed for weather resistant operations
- 3' [1 m] of jacketed, stranded conductor cable for each lock
- Automatic dual-voltage —no field adjustment required
- Instant release circuit —no residual magnetism
- Noise suppression with built-in MOV
- Efficient, low power usage
- Rust resistant— all ferrous metal surfaces plated for durability
- MagnaCare® lifetime replacement, no-fault, no questions asked warranty

### Optional Features

- **B** Patented BondSTAT magnetic bond sensor
- **D** Integrated door position switch (DPS)
- **OS** Offset strike plates



Grade 2

MagnaCare  
WarrantyAuto Sensing  
Dual Voltage  
12/24

Fire Rated

## DM62 Magnalock

## Specifications

*Certifications*

- UL 10C Listed
- CAN4-S104, CAN/ULC-S533 Listed
- ANSI/BHMA A156.23, Grade 2; E08511-1000 Compliant
- CSFM- California State Fire Marshal Approved

*Electrical (Per Lock)*

- 250 mA at 12 VDC
- 150 mA at 24 VDC

*Holding Force (Per Lock)*

- 1,200 lbs [544kg]

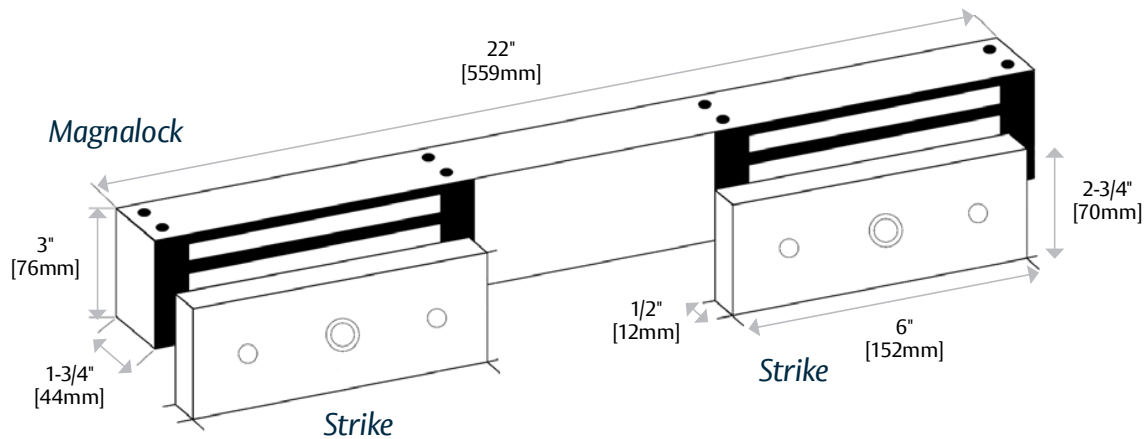
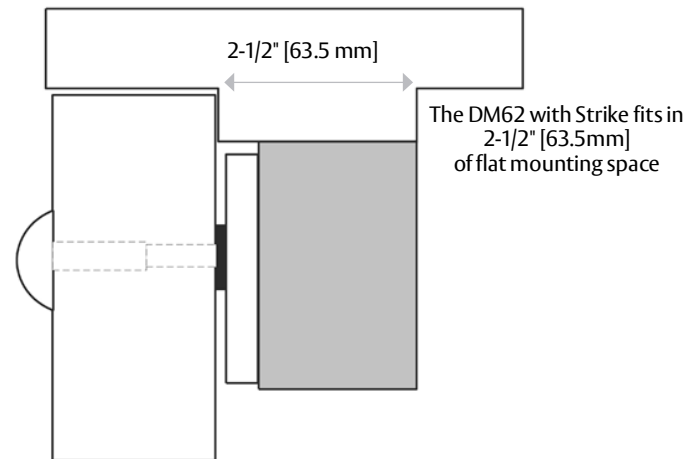
*Operating Temperature*

- -40° to 140°F [-40° to 60°C]
- Indoor or Outdoor use

*Shipping Weight*

- 16 lbs [7.26kg]

## Dimensions



## How to Order

MODEL SERIES	MONITORING OPTIONS	STRIKE PLATE OPTIONS
<b>DM62</b>	<b>BD</b>	<b>- OS</b>
DM62	(blank) No Monitoring B BondSTAT Monitor D Door Position Switch	(blank) Standard Strike OS Offset Strike