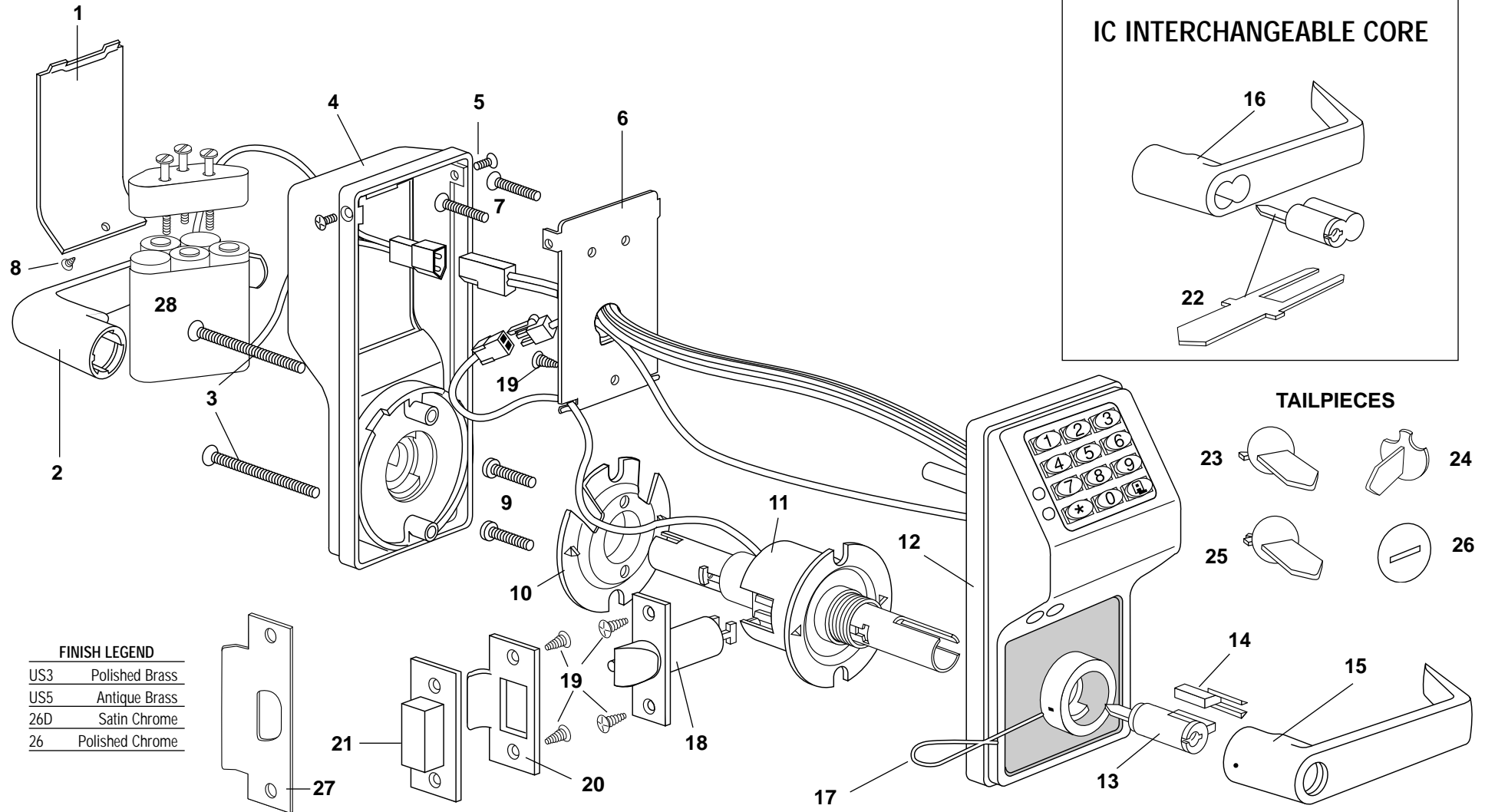


MODEL DL 3000WP LEVER SETS PARTS LIST

Standard Cylinder and Interchangeable Core Models

| Key Part No. | Description |
|---|--|
| 1a | HW592-US3 Battery Cover |
| 1b | HW592-US5 Battery Cover |
| 1c | HW592-26D Battery Cover |
| 1d | HW592-26 Battery Cover |
| 2a | HW615-US3 Inside Lever |
| 2b | HW615-US5 Inside Lever |
| 2c | HW615-26D Inside Lever |
| 2d | HW615-26 Inside Lever |
| Thru Bolt/10-32x2-1/2", (2) | |
| 3a | SC458-US3 Flat Hd.,PH,MS |
| 3b | SC458-US5 Flat Hd.,PH,MS |
| 3c | SC458-26D Flat Hd.,PH,MS |
| 3d | SC458-26 Flat Hd.,PH,MS |
| 4a | S6044-US3 Inside Housing Ass'y |
| 4b | S6044-US5 Inside Housing Ass'y |
| 4c | S6044-26D Inside Housing Ass'y |
| 4d | S6044-26 Inside Housing Ass'y |
| Inside Mounting Screws (2) | |
| 5a | P1526-US3 #6-32x3/8", Oval Hd |
| 5b | P1526-US5 #6-32x3/8", Oval Hd |
| 5c | P1526-26D #6-32x3/8", Oval Hd |
| 5d | P1526-26 #6-32x3/8", Oval Hd |
| 6 | HW594 Inside Mounting Plate |
| Inside Mounting Plate Screws (2) | |
| 7 | SC459 #8-32 x 1", Flat Hd., PH, MS |
| 8a | P5851-26D #4-40x1/4", Flat Hd., PH, MS |
| 8b | P5851-3 #4-40x1/4", Flat Hd., PH, MS |
| Inside Rose Screws (2) | |
| 9 | SC457 #10-32 x 1", w/#8 Pan Hd, PH, MS |
| 10 | HW564 Inside Rose |
| 11 | S6045 Lock Body Assembly |
| 11A | S6046 IC Lock Body Assembly |
| 12a | S6047-US3 Outside Housing Ass'y |
| 12b | S6047-US5 Outside Housing Ass'y |
| 12c | S6047-26D Outside Housing Ass'y |
| 12d | S6047-26 Outside Housing Ass'y |
| 13a | HW596-US3 Std. Cylinder Ass'y |
| 13b | HW596-26D Std. Cylinder Ass'y |



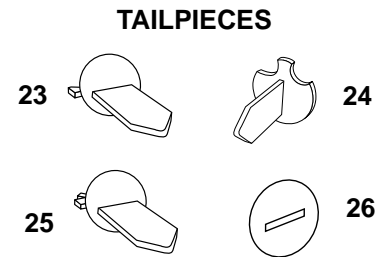
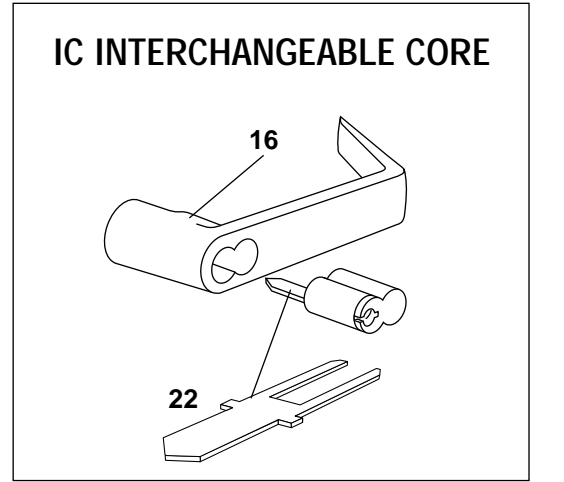
FINISH LEGEND

| | |
|-----|-----------------|
| US3 | Polished Brass |
| US5 | Antique Brass |
| 26D | Satin Chrome |
| 26 | Polished Chrome |

| Key Part No. | Description |
|--------------|---------------------------------|
| 14 | HW578 Cylinder Retainer |
| 15a | HW614-US3 Outside Lever |
| 15b | HW614-US5 Outside Lever |
| 15c | HW614-26D Outside Lever |
| 15d | HW614-26 Outside Lever |
| 16a | HW616-US3 Outside Lever-IC Core |
| 16b | HW616-US5 Outside Lever-IC Core |
| 16c | HW616-26D Outside Lever-IC Core |
| 16d | HW616-26 Outside Lever-IC Core |
| 17 | HW618 Lever Release Pin |

| Key Part No. | Description |
|--------------|-------------------------------------|
| 18a | S6034-US3 Latch - 2-3/4" Backset |
| 18b | S6034-US5 Latch - 2-3/4" Backset |
| 18c | S6034-26D Latch - 2-3/4" Backset |
| 18d | S6034-26 Latch - 2-3/4" Backset |
| 18e | S6035-US3 Latch - 2-3/8" Backset |
| 18f | S6035-US5 Latch - 2-3/8" Backset |
| 18g | S6035-26D Latch - 2-3/8" Backset |
| 18h | S6035-26 Latch - 2-3/8" Backset |
| 19a | SC460-US3 #8x3/4" Combination screw |
| 19b | SC460-US5 #8x3/4" Combination screw |

| Key Part No. | Description |
|--------------|--|
| 19c | SC460-26D #8x3/4" Combination screw |
| 19d | SC460-26 #8x3/4" Combination screw |
| 20a | HW577-US3 Strike 2-3/4" x 1-1/8" |
| 20b | HW577-US5 Strike 2-3/4" x 1-1/8" |
| 20c | HW577-26D Strike 2-3/4" x 1-1/8" |
| 20d | HW577-26 Strike 2-3/4" x 1-1/8" |
| 21 | P5847 Dust Box |
| 22 | HW598 IC Tailpiece for Best, Arrow, Falcon |
| 23 | HW597 Std. Tailpiece |
| 24 | HW580 Replacement tailpiece for Schlage |



| Key Part No. | Description |
|--------------|---|
| 25 | HW620 Replacement tailpiece for Lori |
| 26 | WA160 Tailpiece washer for all tailpieces |
| 27a | HW470-US3 Strike 4-7/8" x 1-1/4" |
| 27b | HW470-US5 Strike 4-7/8" x 1-1/4" |
| 27c | HW470-26D Strike 4-7/8" x 1-1/4" |
| 27d | HW470-26 Strike 4-7/8" x 1-1/4" |
| 28 | S6040 Battery Box Ass'y |