

Table of Contents

Card Readers

DK ProxPlus™ Secure Card Readers	4
DK Prox Card Readers	6
HID Card Readers.....	8
AWID Card Readers	10
ID-Teck Card Readers	12

Keypads

Digital Key Pads	14
------------------------	----

RF Controls

MicroPlus® RF Controls	16
MicroClik® RF Controls	18

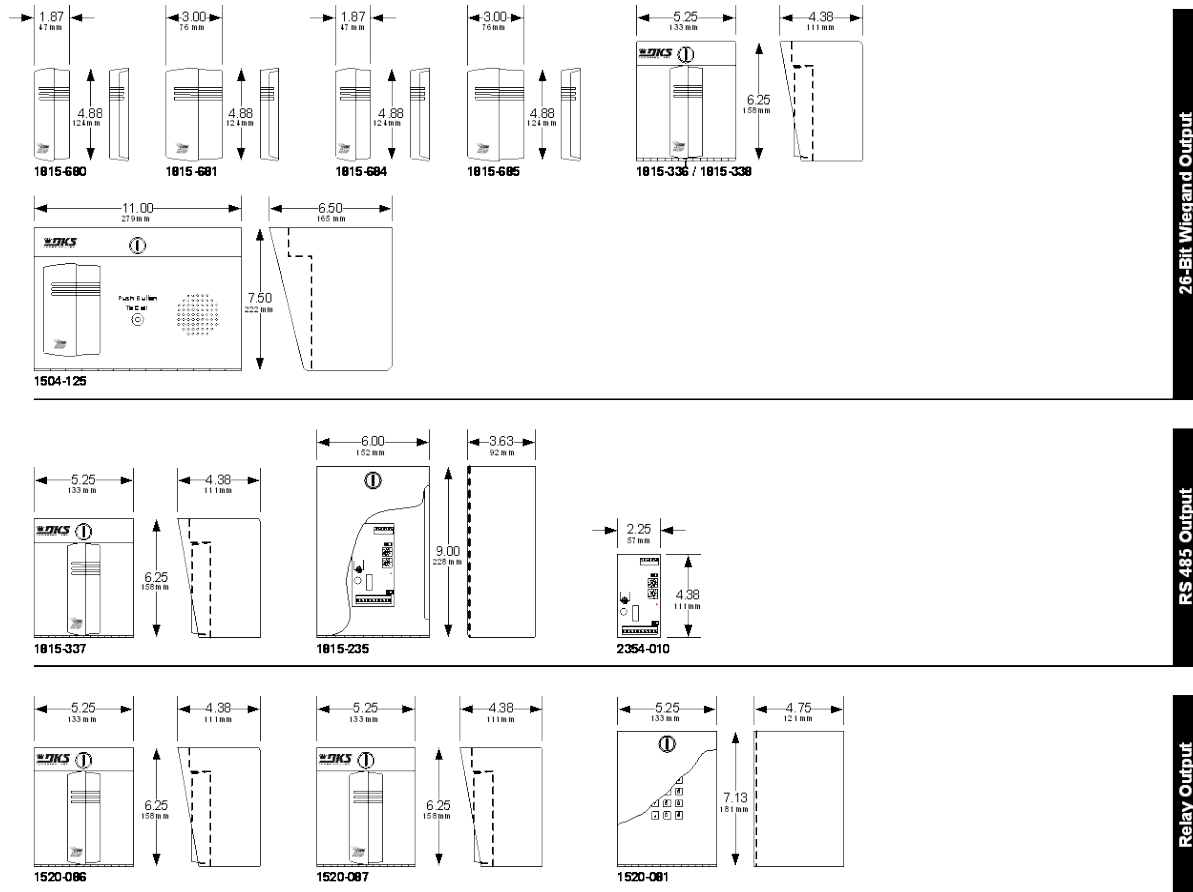
Miscellaneous Controls

Key Switches	20
Exit Push Buttons.....	21
Postal & Fire Department Lock Boxes	22

Door and Gate Locks

1200 Lb. Magnetic Door Locks	24
600 Lb. Magnetic Door Locks	25
300 Lb. Mini-locks, 2000 Lb. Shear Lock.....	26
1200 Lb, 600 Lb. Magnetic gate Locks	27
Electric Dead-bolts and Door Strikes	28

DK ProxPlus™ Secure Card Readers



26-Bit Wiegand Output

1815-680 ProxPlus Mifare ¹	250.00
1815-681 ProxPlus Mifare ¹	250.00
1815-684 ProxPlus Secure ²	196.00
1815-685 ProxPlus Secure ²	196.00
1815-336 (1815-684 w/enclosure) ²	342.00
1815-338 (1815-336 w/expansion board) ²	1,046.00
1504-125 (1815-685 w/intercom substation) ²	776.00

RS-485 Output (ACCESS PLUS ONLY)

1815-337 ProxPlus Secure ²	558.00
1815-235 (2354-010 w/enclosure)	492.00
2354-010 (26-Bit Wiegand to RS-485 converter)	220.00

- RS485 output is proprietary and will interface with Access Plus products only

1. Use these readers only to match existing Mifare Classic 4 or 7 byte cards that are already in use.

2. These readers will read only ProxPlus Secure cards and provide a higher level of security.

Relay Output (Stand Alone)

1520-086 ProxPlus Secure ²	982.00
1520-087 ProxPlus Mifare ¹	1036.00
1520-081 Controller only	878.00

- 1520 reader/controller can store up to 1000 card codes
- 3600 event history buffer
- Built-in programming keypad
- Timed anti-pass back, hold open time zones

DK ProxPlus Secure Cards

These cards will only work with ProxPlus Secure card readers (1815-864, 1815-865).

Factory Coded Cards - blocks of 50 only.

These cards are factory pre-coded. Card numbers may, or may not be in numerical sequence.

1508-252 Secure Cards	
50-100.....	9.12
150-500.....	8.72
550-950.....	8.32
1000+.....	7.92
1508-257 Secure Key Tags	
50-100.....	9.68
150-500.....	9.28
550-950.....	8.88
1000+.....	8.48

Custom Programmed Cards¹ - blocks of 100 only.

These cards include sequential coding, specific card numbers and specific start / stop numbering sequences.

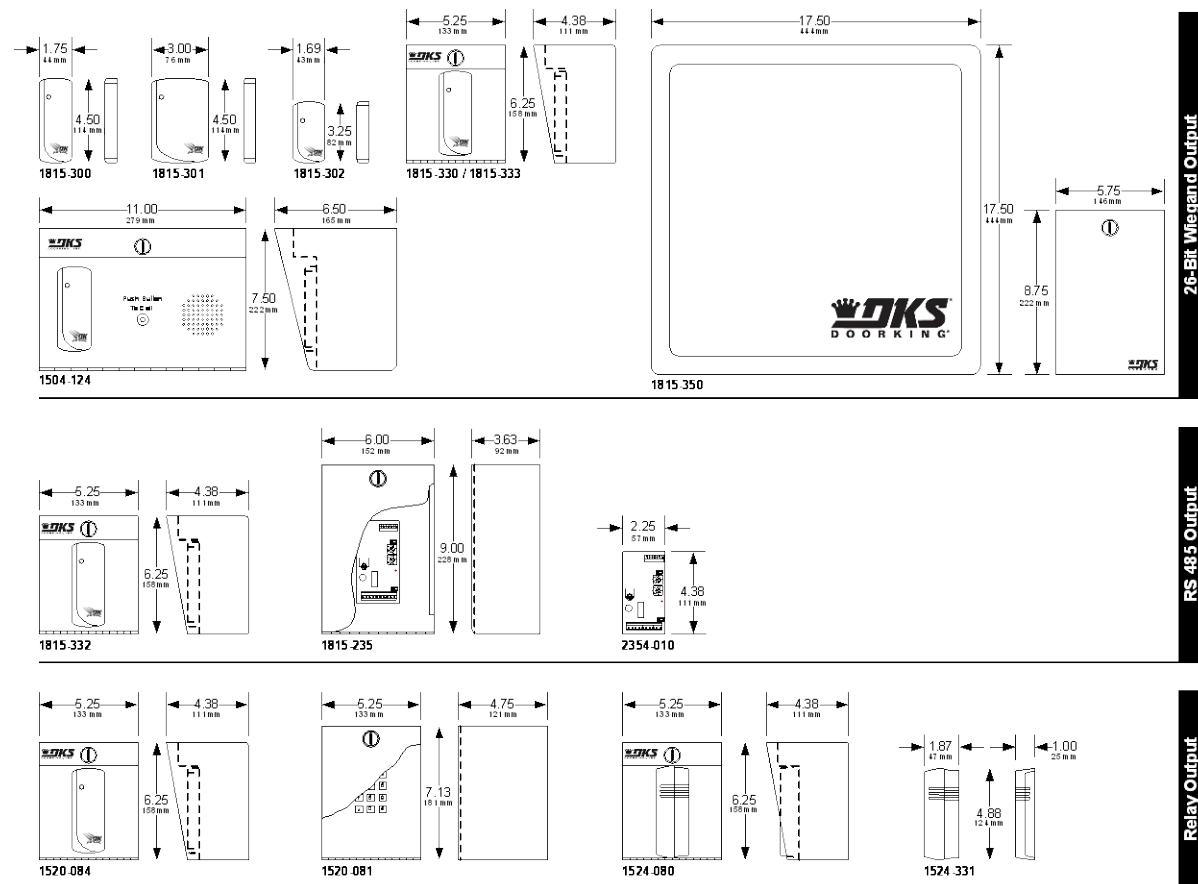
1508-250 Secure Cards	
100.....	10.90
200-500.....	10.50
600-900.....	10.10
1000+.....	9.70
1508-255 Secure Key Tags	
100.....	11.46
200-500.....	11.06
600-900.....	10.66
1000+.....	10.26

Note 1: Custom ordered cards cannot be returned for credit.

ProxPlus Secure Card Scanner¹	
1815-692 Reads ProxPlus Secure Cards	260.00
Use this card scanner when the card code is not printed on the card or the code has worn off the card. This scanner will read DK ProxPlus Secure cards only.	
Mifare Card Scanner¹	
1815-690 Reads Mifare Cards.....	260.00
Use this card scanner when the Wiegand card code is not printed on the card or the code has worn off the card. This scanner will read Mifare Classic 4 or 7 byte cards and show the equivalent Wiegand code.	
Note 1: Requires ProxPlus/Mifare card scanner software - free download: https://www.doorking.com/accessories/access-control-accessories/dkprox-card-identifier	

MicroPlus Transmitters w/ProxPlus Secure Tag	
The prices shown are for block-coded transmitters ordered in multiples of 10 only. Add \$3.70 per transmitter for any order specifying transmitter numbering sequence or facility codes.	
8069-088 1 Button w/DK ProxPlus Secure Tag	
10-30.....	54.18
40-100.....	52.18
110+.....	48.18
8070-088 2 Button w/DK ProxPlus Secure Tag	
10-30.....	56.58
40-100.....	54.58
110+.....	50.58
8071-088 3 Button w/DK ProxPlus Secure Tag	
10-30.....	59.02
40-100.....	57.02
110+.....	53.02
8096-088 4 Button w/DK ProxPlus Secure Tag	
10-30.....	61.40
40-100.....	59.40
110+.....	55.40

DK Prox Card Readers



26-Bit Wiegand Output	
1815-300 Up to 3-inch range	166.00
1815-301 Up to 4-inch range	166.00
1815-302 Up to 2-inch range	166.00
1815-330 (1815-300 reader w/enclosure)	312.00
1815-333 (1815-330 w/expansion board)	1,016.00
1504-124 (1815-300 w/intercom substation)	746.00
26-Bit Wiegand Output - Automatic Vehicle ID System	
1815-350 Up to 25-foot range	3,584.00
RS-485 Output (ACCESS PLUS ONLY)	
1815-332 Up to 3-inch range	540.00
1815-235 (2354-010 w/enclosure)	492.00
2354-010 (26-Bit Wiegand to RS-485 converter)	220.00
<ul style="list-style-type: none"> RS485 output is proprietary and will interface with Access Plus products only 	

Relay Output (Stand Alone)	
1520-084	952.00
1520-081 Controller only	878.00
<ul style="list-style-type: none"> 1520 reader/controller can store up to 1000 card codes 3600 event history buffer Built-in programming keypad Timed anti-pass back, hold open time zones 	
1524-080 (1524-331 w/enclosure)	572.00
1524-331	424.00
1815-340 Replacement Programmer	69.70
<ul style="list-style-type: none"> 1524 reader can store up to 1000 card codes Use 1815-340 hand held programmer to add / delete individual cards or blocks of cards 	

DK Prox Cards

Standard Cards - blocks of 50 only.

These cards are factory pre-coded. Card numbers may, or may not be, in numerical sequence.

1508-120 Clamshell Cards

50-100	6.16
150-500	5.76
550-950	5.36
1000+	4.96

1508-121 ISO Graphics Cards

50-100	8.52
150-500	8.12
550-950	7.72
1000+	7.32

1508-123 Key Tags

50-100	9.12
150-500	8.72
550-950	8.32
1000+	7.92

Special Order Cards¹ - blocks of 100 only.

These cards include sequential coding, specific card numbers and specific start / stop numbering sequences.

1508-127 Clamshell Cards

100	9.12
200-500	8.72
600-900	8.32
1000+	7.92

1508-128 ISO Graphics Cards

100	11.44
200-500	11.04
600-900	10.64
1000+	10.24

1508-129 Key Tags

100	12.04
200-500	11.64
600-900	11.24
1000+	10.84

Note 1: Special orders cannot be returned for credit.

UHF DK Prox Cards

These cards are factory pre-coded. Card numbers may, or may not be, in numerical sequence.

1508-191 ISO Card UHF Only ¹	14.62
1508-198 ISO Card UHF/DK Prox Dual Tech ¹	17.28
1815-318 Windshield Holder	5.32
1815-319 Rearview Mirror Holder	5.32

1508-191 can only be used with 1815-350 card reader. 1508-198 dual technology card can be used with both 1815-350 and all other DK Prox card readers.

Note 1: Quantity discounts available. Contact the Sales Department.

UHF DK Prox Cards – Special Order¹

These cards include sequential coding, specific card numbers and specific start / stop numbering sequences.

1508-190 ISO Card UHF Only ²	17.28
1508-197 ISO Card UHF/DK Prox Dual Tech ²	19.90
1815-318 Windshield Holder	5.32
1815-319 Rearview Mirror Holder	5.32

1508-190 can only be used with 1815-350 card reader. 1508-197 dual technology cards can be used with both 1815-350 and all other DK Prox card readers.

Note 1: Special orders cannot be returned for credit.

Note 2: Quantity discounts available. Contact the Sales Department.

DKProx Card Scanner¹

1815-640 Reads 125 KHz Cards	154.00
------------------------------------	--------

Card Scanner is used when the card code is not printed on the card or the code has worn off the card.

Note 1: Requires DKProx card scanner software - free download:

<http://www.doorking.com/accessories/access-control-accessories/dkprox-card-identifier>

1508-195 Windshield/Headlight Tag^{1,2}

1-50	15.92
51-150	15.12
151-500	14.32
501-999	13.52
1000+	12.72

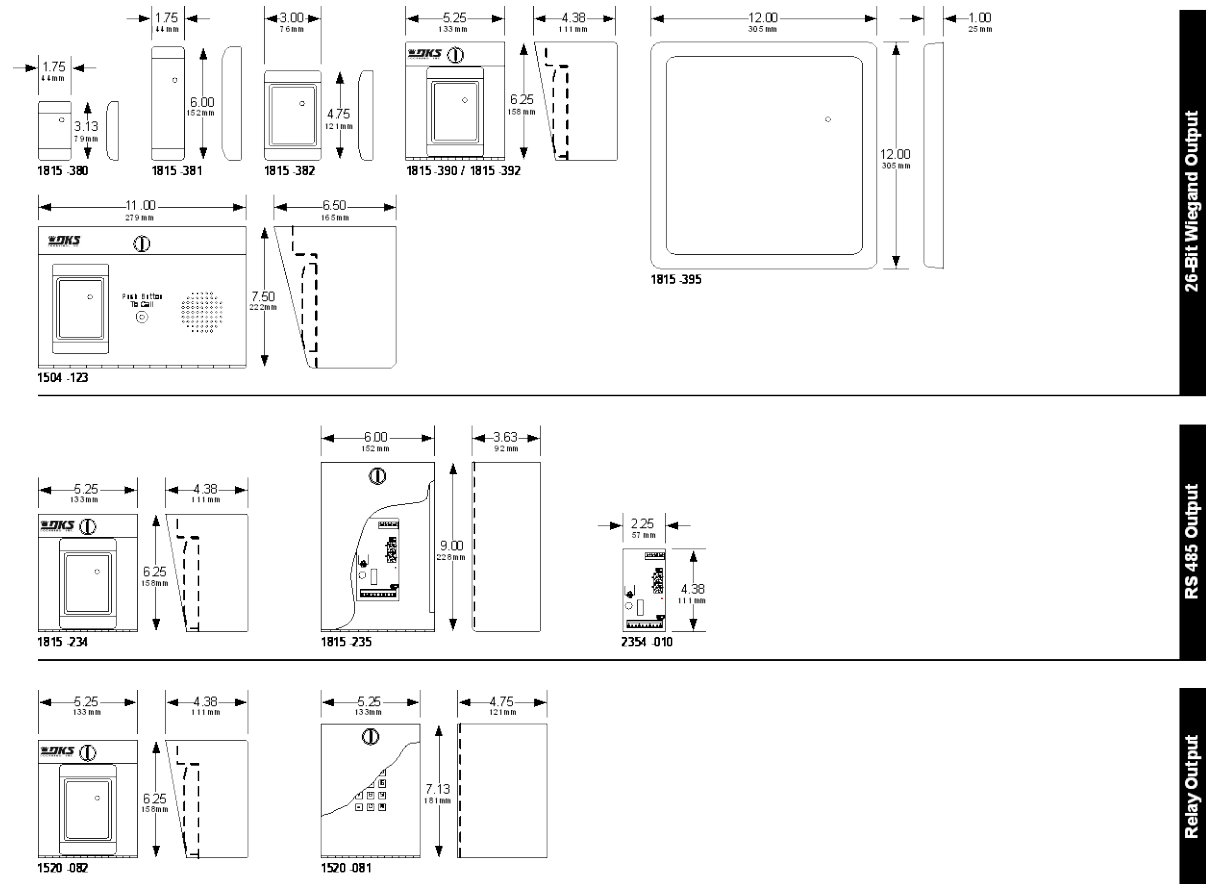
1508-199 License Plate Tag¹

1-50	15.92
51-150	15.12
151-500	14.32
501-999	13.52
1000+	12.72

Note 1: 1508-195 and 1508-199 can only be used with 1815-350 card reader.

Note 2: It is illegal to place a tag on a headlight in some states. Check with the state Department of Transportation before ordering tags intended to be placed on headlights.

HID Proximity Card Readers



26-Bit Wiegand Output

1815-380 (ProxPoint Plus) Up to 3-inch range.....	394.00
1815-381 (MiniProx) Up to 5-inch range	774.00
1815-382 (ThinLine) Up to 5-inch range	744.00
1815-390 (1815-382 reader w/enclosure).....	856.00
1815-392 (1815-390 w/expansion board)	1,486.00
1504-123 (1815-382 w/intercom substation).....	968.00
1815-395 (MaxiProx) Up to 6-foot range.....	2,342.00
• Use 1508-014 Active Tags with 1815-395	

RS-485 Output (ACCESS PLUS ONLY)

1815-234 (ThinLine) Up to 5-inch range	1,114.00
1815-235 (2354-010 w/enclosure)	492.00
2354-010 (26-Bit Wiegand to RS-485 converter).....	220.00
• RS485 output is proprietary and will interface with Access Plus products only	

Relay Output (Stand Alone)

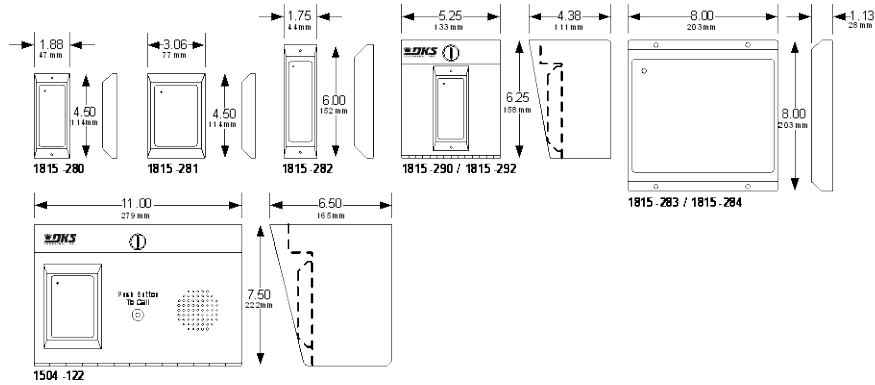
1520-082.....	1,286.00
1520-081 Controller only	878.00
• 1520 reader/controller can store up to 1000 card codes	
• 3600 event history buffer	
• Built-in programming keypad	
• Timed anti-pass back, hold open time zones	

HID Prox Cards

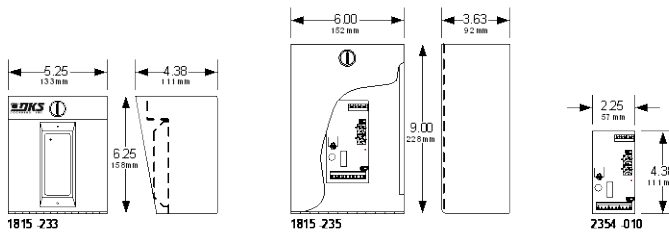
Minimum order for HID cards is 100. Cards are sold in blocks of 50 only. Special order cards are sold in blocks of 100 only.

<p>HID Prox Cards These cards are factory pre-coded. Card numbers may, or may not be, in numerical sequence.</p>		<p>HID Prox Cards - Special Order¹ These cards include sequential coding, specific card numbers and specific start / stop numbering sequences.</p>	
<p>1508-018 ProxCard Clamshell Cards</p>		<p>1508-143 ProxCard Clamshell Cards</p>	
100.....	9.12	100.....	12.04
150-500.....	8.72	200-500.....	11.64
550-950.....	8.32	600-900.....	11.24
1000+.....	7.92	1000+.....	10.84
<p>1508-017 Prox ISO Graphics Cards</p>		<p>1508-144 Prox ISO Graphics Cards</p>	
100.....	15.00	100.....	17.30
150-500.....	14.60	200-500.....	16.90
550-950.....	14.20	600-900.....	16.50
1000+.....	13.80	1000+.....	16.10
<p>1508-016 ProxKey Key Tags</p>		<p>1508-145 ProxKey Key Tags</p>	
100.....	16.00	100.....	17.88
150-500.....	15.60	200-500.....	17.48
550-950.....	15.20	600-900.....	17.08
1000+.....	14.80	1000+.....	16.68
		<p>1508-014 ProxPass Active Tags (use with 1815-395 only)</p>	
		1-9.....	116.00
		10-30.....	113.00
		40-100.....	110.00
		110-490.....	107.00
		500+.....	104.00
		<p>Note 1: Special orders cannot be returned for credit.</p>	

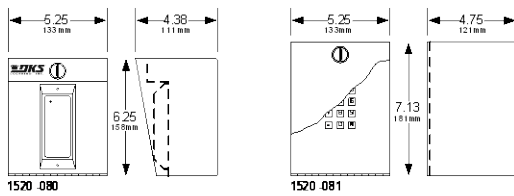
AWID Proximity Card Readers



26-Bit Wiegand Output



RS-485 Output



Relay Output

26-Bit Wiegand Output

1815-280 (SR 2400) Up to 4-inch range	264.00
1815-281 (SP 6820) Up to 8-inch range	474.00
1815-282 (MM 6800) Up to 2-inch range	474.00
1815-290 (1815-280 reader w/enclosure).....	482.00
1815-292 (1815-290 w/expansion board)	1,024.00
1815-283 (MR 1824) Up to 24 inch range.....	952.00
1815-284 (MR 1824 MC) Up to 16 inch range	1,170.00
1504-122 (1815-281 w/intercom substitution).....	842.00

RS-485 Output (ACCESS PLUS ONLY)

1815-233 Up to 3-inch range	644.00
1815-235 (2354-010 w/enclosure).....	492.00
2354-010 (26-Bit Wiegand to RS-485 converter)	220.00
<ul style="list-style-type: none"> RS485 output is proprietary and will interface with Access Plus products only 	

Relay Output (Stand Alone)

1520-080.....	1,054.00
1520-081 Controller only	878.00
<ul style="list-style-type: none"> 1520 reader/controller can store up to 1000 card codes 3600 event history buffer Built-in programming keypad Timed anti-pass back, hold open time zones 	

AWID Prox Cards

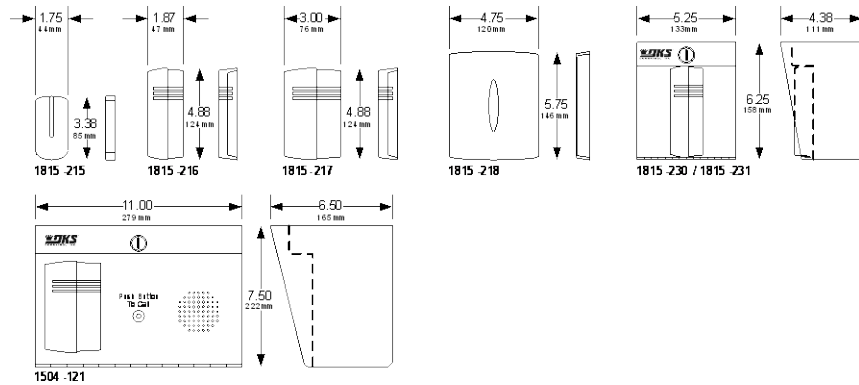
Cards are sold in blocks of 50 only.

Special order cards are sold in blocks of 100 only.

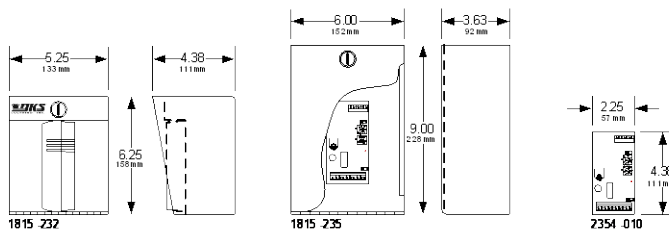
AWID Prox Cards	
These cards are factory pre-coded. Card numbers may, or may not be, in numerical sequence.	
1508-020 Prox-Linc Clamshell Cards	
50-100	7.62
150-500	7.22
550-950	6.82
1000+	6.42
1508-021 Prox-Linc GR ISO Graphics Cards	
50-100	11.58
150-500	11.18
550-950	10.78
1000+	10.38
1508-022 Prox-Linc KT Key Tags	
50-100	12.30
150-500	11.90
550-950	11.50
1000+	11.10

AWID Prox Cards - Special Order¹ (minimum 100)	
These cards include sequential coding, specific card numbers and specific start / stop numbering sequences.	
1508-132 Prox-Linc Clamshell Cards	
100	10.54
200-500	10.14
600-900	9.74
1000+	9.34
1508-133 Prox-Linc GR ISO Graphics Cards	
100	14.52
200-500	14.12
600-900	13.72
1000+	13.32
1508-134 Prox-Linc KT Key Tags	
100	15.20
200-500	14.80
600-900	14.40
1000+	14.00
Note 1: Special orders cannot be returned for credit.	

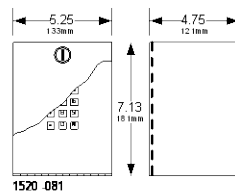
ID-Teck Proximity Card Readers



26-Bit Wiegand Output



RS-485 Output



Relay Output

26-Bit Wiegand Output

1815-215 (RF Tiny) Up to 3-inch range	300.00
1815-216 (RF 10) Up to 3-inch range	300.00
1815-217 (RF 20) Up to 3-inch range	300.00
1815-218 (RF 30) Up to 12 inch range	762.00
1815-230 (1815-216 reader w/enclosure)	412.00
1815-231 (1815-230 w/expansion board)	1,026.00
1504-121 (1815-217 w/intercom substation)	874.00

RS-485 Output (ACCESS PLUS ONLY)

1815-232 Up to 3-inch range	636.00
1815-235 (2354-010 w/enclosure)	492.00
2354-010 (26-Bit Wiegand to RS-485 converter)	220.00

- RS485 output is proprietary and will interface with Access Plus products only

Relay Output (Stand Alone)

1520-081 Controller only	878.00
--------------------------------	--------

- 1520 reader/controller can store up to 1000 card codes
- 3600 event history buffer
- Built-in programming keypad
- Timed anti-pass back, hold open time zones

ID-Teck Prox Cards

Note: cards will work with the following ID-Teck Prox readers only:
1815-215, 1815-216, 1815-217, 1815-218, 1815-230, 1815-231, 1504-121

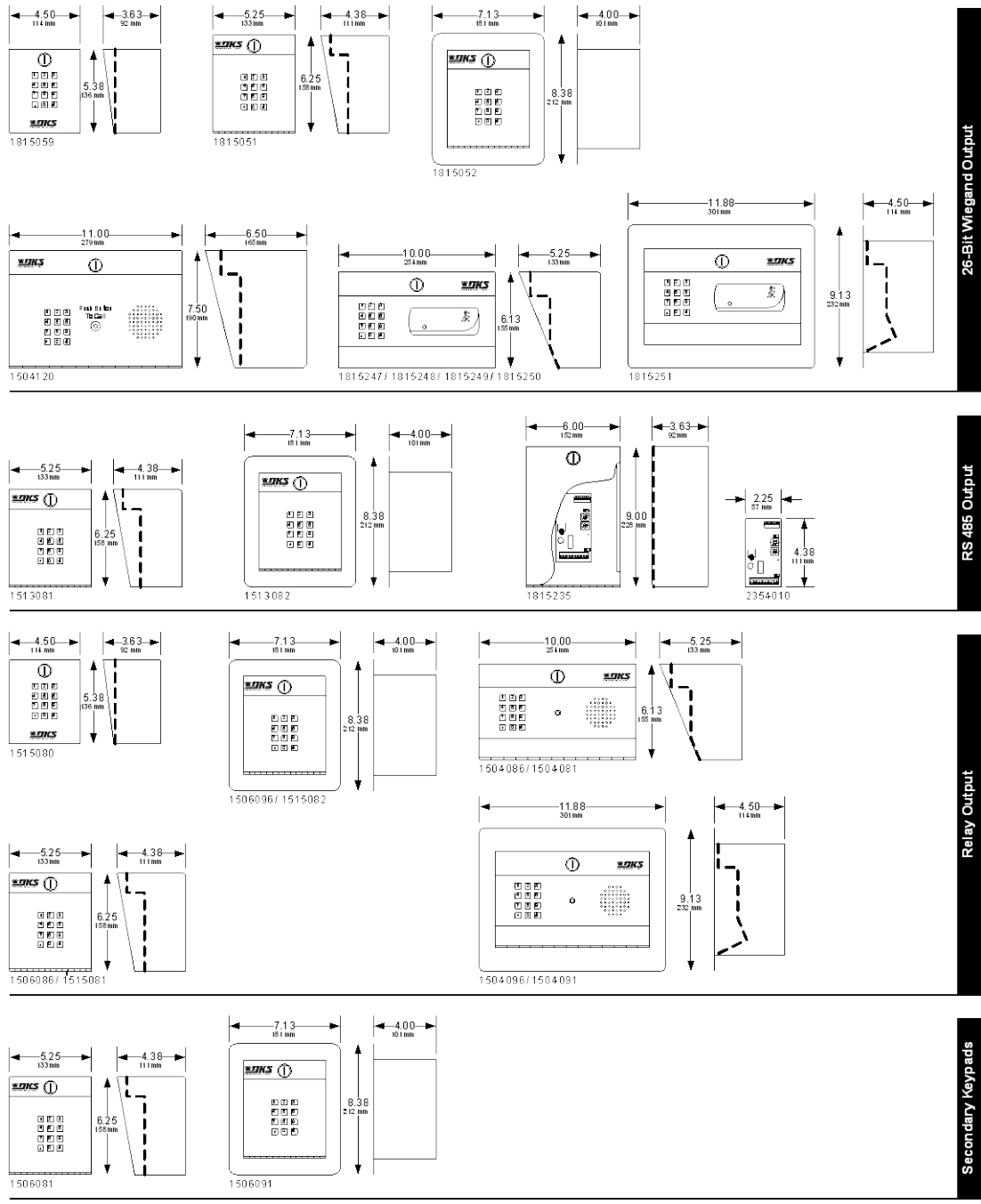
Cards are sold in blocks of 50 only.

ID-Teck Prox Cards	
These cards are factory pre-coded. Card numbers may, or may not be, in numerical sequence.	
1508-110 RF 170 Clamshell Cards	
50-100.....	9.50
150-500.....	9.10
550-950.....	8.70
1000+.....	8.30
1508-111 RF 80 ISO Graphics Cards	
50-100.....	15.00
150-500.....	14.60
550-950.....	14.20
1000+.....	13.80
1508-112 RF 50 Key Tags	
50-100.....	16.00
150-500.....	15.60
550-950.....	15.20
1000+.....	14.80

Special order cards are sold in blocks of 100 only.

ID-Teck Prox Cards - Special Order¹	
These cards include sequential coding, specific card numbers and specific start / stop numbering sequences.	
1508-136 RF 170 Clamshell Cards	
100	12.50
200-500.....	12.10
600-900.....	11.70
1000+	11.30
1508-137 RF 80 ISO Graphics Cards	
100	18.00
200-500.....	17.60
600-900.....	17.20
1000+	16.80
1508-138 RF 50 Key Tags	
100	19.00
200-500.....	18.60
600-900.....	18.20
1000+	17.80
Note 1: Special orders cannot be returned for credit.	

Keypads



Keypads

26-Bit Wiegand Output

These keypads must be connected to a 26-bit wiegand controller, such as the DK 1830 Series. They are not stand-alone devices.

1815-059 Surface Mount500.00
 • Low power solar mode.

1815-051 Surface Mount646.00
 1815-052 Flush Mount.....892.00

1504-120 Surface Mount w/intercom substation980.00

1815-247 Surface Mount1,258.00
 • Keypad with ID Tech (1815-216) card reader.

1815-248 Surface Mount1,304.00
 • Keypad with AWID (1815-281) card reader.

1815-249 Surface Mount1,452.00
 • Keypad with HID (1815-382) card reader.

1815-250 Surface Mount1,204.00
 • Keypad with DK Prox (1815-300) card reader.

1815-251 Flush Mount.....1,428.00
 • Keypad with DK Prox (1815-300) card reader.

RS-485 Output (ACCESS PLUS ONLY)

These keypads must be connected to a RS-485 controller, such as the DK Access Plus Series. They are not stand-alone devices.

1513-081 Surface Mount660.00
 1513-082 Flush Mount.....820.00

1815-235 (2354-010 w/enclosure)492.00
 2354-010 (26-Bit Wiegand to RS-485 converter)220.00

- RS485 output is proprietary and will interface with Access Plus products only

Relay Output (Stand Alone)

These keypads use a dry relay(s) contact and are designed to be used as a stand-alone device.

1506-086 Surface Mount 806.00

1506-096 Flush Mount..... 1064.00

1504-086 Surface Mount w/intercom substation 998.00

1504-096 Flush Mount w/intercom substation..... 1,230.00

- 2 Form C dry contact relays.
- 1000 four (4) digit entry codes.
- 6 five (5) digit entry codes.
- Hold open codes.
- Time zone inputs.

1515-080¹ Surface Mount 474.00

1515-081 Surface Mount 632.00

1515-082 Flush Mount..... 920.00

1504-081 Surface Mount w/intercom substation 812.00

1504-091 Flush Mount w/intercom substation..... 1,012.00

- 1 Form C dry contact relay.
- 400 four (4) or five (5) digit entry codes.
- Hold open codes.
- Low power solar mode.

1. Includes NFC programming with DK Manager app, Android only (Free from Google Play store).

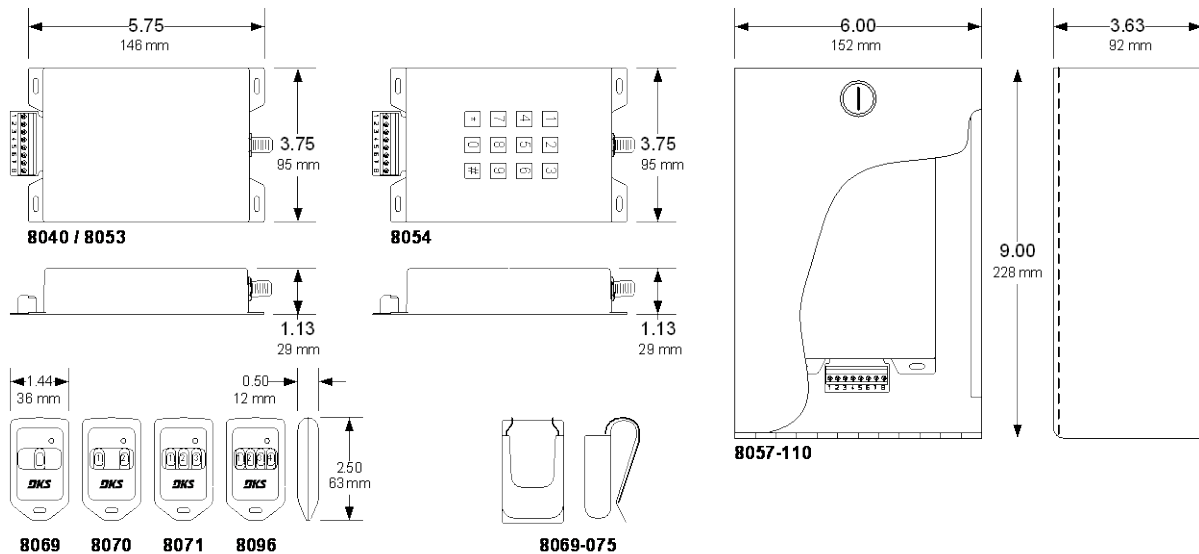
Secondary Keypad

These keypads can only be used with DK telephone entry systems.

1506-081 Surface Mount 540.00

1506-091 Flush Mount..... 932.00

MICROPLUS® RF Controls



26-Bit Wiegand Output	
8040-080	236.00
<ul style="list-style-type: none"> • 5300 Transmitter codes. • 26, 30 or 31-bit wiegand format. 	
8040-090	236.00
<ul style="list-style-type: none"> • 5300 Transmitter codes. • 26, 30 or 31-bit wiegand format. • Compatible with Elite Series¹ DT-418 transmitters. 	
1. Elite Series is a registered trademark of The Chamberlain Group, Inc.	
RS-485 Output (ACCESS PLUS ONLY)	
8053-080	264.00
<ul style="list-style-type: none"> • 5300 Transmitter codes. • RS485 output is proprietary and will interface with Access Plus products only 	
MicroPlus Visor Clips (Black)	
8069-075	
1-30	4.80
31-100	4.30
101+	3.80

Relay Output (Stand Alone)	
8040-080 100 Transmitter codes	236.00
<ul style="list-style-type: none"> • Program via the “learn” method. • Individual codes cannot be deleted. 	
8054-081 50 Transmitter codes	474.00
8054-082 100 Transmitter codes	554.00
8054-083 250 Transmitter codes	632.00
8054-084 500 Transmitter codes	710.00
8054-085 1000 Transmitter codes	794.00
8054-086 1250 Transmitter codes	870.00
<ul style="list-style-type: none"> • Built-in time clock, 10 programmable time zones. • 2300 event history buffer. • Can be connected to a serial printer. 	
Receiver Accessories	
8057-110 Lockable outdoor enclosure.....	266.00
1514-073 Coax Antenna kit	70.26
1514-072 High Gain antenna 318 MHz	254.00
8052-080 Antenna Amplifier 318 MHz.....	292.00

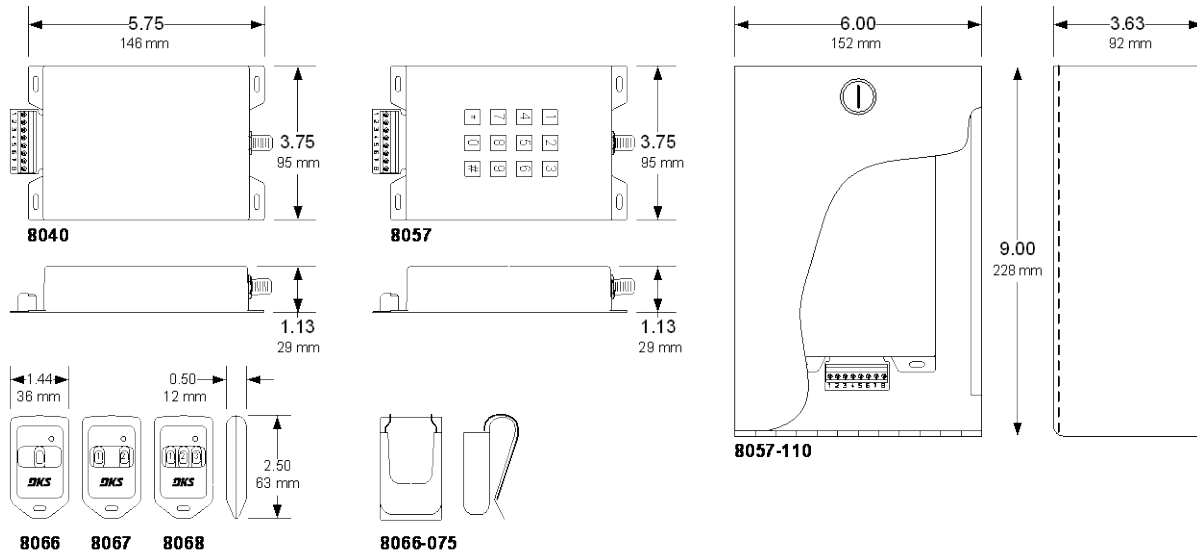
MICROPLUS® Transmitters / PROXMTR® (Transmitter w/proximity card reader built-in)

IMPORTANT! The prices shown are for block-coded transmitters ordered in multiples of 10 only. Add \$3.70 per transmitter for any order specifying transmitter numbering sequence or facility codes.

8069-080 1 Button	
10-30.....	43.34
40-100.....	41.34
110+.....	37.34
8070-080 2 Button	
10-30.....	45.74
40-100.....	43.74
110+.....	39.74
8071-080 3 Button	
10-30.....	48.16
40-100.....	46.16
110+.....	42.16
8096-080 4 Button	
10-30.....	50.56
40-100.....	48.56
110+.....	44.56
8069-082 1 Button w/AWID Tag	
10-30.....	54.18
40-100.....	52.18
110+.....	48.18
8070-082 2 Button w/AWID Tag	
10-30.....	56.58
40-100.....	54.58
110+.....	50.58
8071-082 3 Button w/AWID Tag	
10-30.....	59.02
40-100.....	57.02
110+.....	53.02
8096-082 4 Button w/AWID Tag	
10-30.....	61.40
40-100.....	59.40
110+.....	55.40
8069-084 1 Button w/HID Tag	
10-30.....	54.18
40-100.....	52.18
110+.....	48.18
8070-084 2 Button w/HID Tag	
10-30.....	56.58
40-100.....	54.58
110+.....	50.58
8071-084 3 Button w/HID Tag	
10-30.....	59.02
40-100.....	57.02
110+.....	53.02
8096-084 4 Button w/HID Tag	
10-30.....	61.40
40-100.....	59.40
110+.....	55.40

8069-086 1 Button w/IDTeck Tag	
10-30.....	54.18
40-100.....	52.18
110+.....	48.18
8070-086 2 Button w/IDTeck Tag	
10-30.....	56.58
40-100.....	54.58
110+.....	50.58
8071-086 3 Button w/IDTeck Tag	
10-30.....	59.02
40-100.....	57.02
110+.....	53.02
8096-086 4 Button w/IDTeck Tag	
10-30.....	61.40
40-100.....	59.40
110+.....	55.40
8069-087 1 Button w/DK Prox Tag	
10-30.....	54.18
40-100.....	52.18
110+.....	48.18
8070-087 2 Button w/DK Prox tag	
10-30.....	56.58
40-100.....	54.58
110+.....	50.58
8071-087 3 Button w/DK Prox Tag	
10-30.....	59.02
40-100.....	57.02
110+.....	53.02
8096-087 4 Button w/DK Prox Tag	
10-30.....	61.40
40-100.....	59.40
110+.....	55.40
8069-088 1 Button w/DK ProxPlus Secure Tag	
10-30.....	54.18
40-100.....	52.18
110+.....	48.18
8070-088 2 Button w/DK ProxPlus Secure Tag	
10-30.....	56.58
40-100.....	54.58
110+.....	50.58
8071-088 3 Button w/DK ProxPlus Secure Tag	
10-30.....	59.02
40-100.....	57.02
110+.....	53.02
8096-088 4 Button w/DK ProxPlus Secure Tag	
10-30.....	61.40
40-100.....	59.40
110+.....	55.40

MICROCLI[®]K RF Controls



26-Bit Wiegand Output	
8040-080	236.00
<ul style="list-style-type: none"> • 5300 Transmitter codes. • 26, 30 or 31-bit wiegand format. 	
8040-090	236.00
<ul style="list-style-type: none"> • 5300 Transmitter codes. • 26, 30 or 31-bit wiegand format. • Compatible with Elite Series¹ DT-418 transmitters. 	
1. Elite Series is a registered trademark of The Chamberlain Group, Inc.	
MicroClik Visor Clips (Gray)	
8066-075	
1-30	4.80
31-100	4.30
101+.....	3.80

Relay Output (Stand Alone)	
8040-080 100 Transmitter codes	236.00
<ul style="list-style-type: none"> • Program via the “learn” method. • Individual codes cannot be deleted. 	
8057-081 50 Transmitter codes	394.00
8057-082 100 Transmitter codes	474.00
8057-083 250 Transmitter codes	548.00
8057-084 500 Transmitter codes	632.00
8057-085 1000 Transmitter codes	710.00
8057-086 5000 Transmitter codes	794.00
8057-088 16,000 Transmitter codes	870.00
<ul style="list-style-type: none"> • Built-in time clock, 10 programmable time zones. • 2300 event history buffer. • Can be connected to a serial printer. 	
Receiver Accessories	
8057-110 Lockable outdoor enclosure.....	266.00
1514-073 Coax Antenna kit	70.26
1514-072 High Gain antenna 318 MHz	254.00
8052-080 Antenna Amplifier 318 MHz.....	292.00

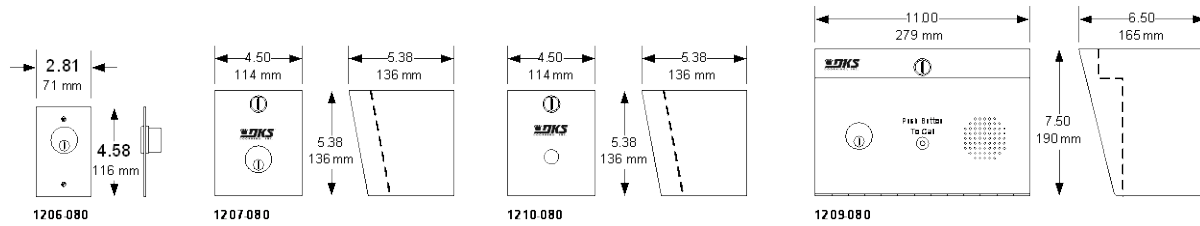
MICROCLI[®]K Transmitters / PROXMTR[®] (Transmitter w/proximity card reader built-in)

IMPORTANT! The prices shown are for block-coded transmitters ordered in multiples of 10 only. Add **\$3.70** per transmitter for any order specifying transmitter numbering sequence or facility codes.

8066-080 1 Button		8066-084 1 Button w/IDTeck Tag	
10-30	45.74	10-30.....	56.58
40-100	43.74	40-100.....	54.58
110+.....	39.74	110+.....	50.58
8067-080 2 Button		8067-084 2 Button w/IDTeck Tag	
10-30	48.16	10-30.....	59.02
40-100	46.16	40-100.....	57.02
110+.....	42.16	110+.....	53.02
8068-080 3 Button		8068-084 3 Button w/IDTeck Tag	
10-30	50.54	10-30.....	61.40
40-100	48.54	40-100.....	59.40
110+.....	44.54	110+.....	55.40
8066-082 1 Button w/AWID Tag		8066-085 1 Button w/DK Prox Tag	
10-30	56.58	10-30.....	55.58
40-100	54.58	40-100.....	54.58
110+.....	50.58	110+.....	50.58
8067-082 2 Button w/AWID Tag		8067-085 2 Button w/DK Prox Tag	
10-30	59.02	10-30.....	59.02
40-100	57.02	40-100.....	57.02
110+.....	53.02	110+.....	53.02
8068-082 3 Button w/AWID Tag		8068-085 3 Button w/DK Prox Tag	
10-30	61.40	10-30.....	61.40
40-100	59.40	40-100.....	59.40
110+.....	55.40	110+.....	55.40
8066-083 1 Button w/HID Tag		8066-086 1 Button w/DK ProxPlus Tag	
10-30	56.58	10-30.....	55.58
40-100	54.58	40-100.....	54.58
110+.....	50.58	110+.....	50.58
8067-083 2 Button w/HID Tag		8067-086 2 Button w/DK ProxPlus Tag	
10-30	59.02	10-30.....	59.02
40-100	57.02	40-100.....	57.02
110+.....	53.02	110+.....	53.02
8068-083 3 Button w/HID Tag		8068-086 3 Button w/DK ProxPlus Tag	
10-30	61.40	10-30.....	61.40
40-100	59.40	40-100.....	59.40
110+.....	55.40	110+.....	55.40

8072-080 1 Button 418 MHz	
10-30.....	59.96
40-100.....	57.56
110+.....	53.56
8073-080 2 Button 418 MHz	
10-30.....	62.70
40-100.....	60.70
110+.....	56.70
8074-080 3 Button 418 MHz	
10-30.....	65.52
40-100.....	63.52
110+.....	59.52

Key Switches



Mortise Key Cylinder

1206-080230.00

- N.O. or N.C. operation.
- Mounts in single-gang electric box.
- Indoor use only.

1207-080330.00

- N.O. or N.C. operation.
- Surface mount non-lighted enclosure.
- Indoor or outdoor use.

1209-080630.00

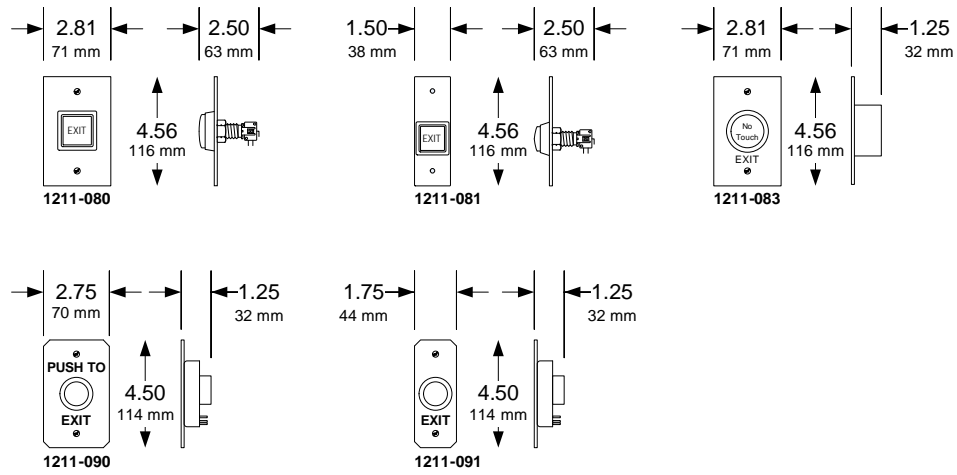
- N.O. or N.C. operation.
- Surface mount lighted enclosure.
- Indoor or outdoor use.
- Intercom substation.

Ace Key Cylinder

1210-080 318.00

- N.O. or N.C. operation.
- Surface mount non-lighted enclosure.
- Indoor or outdoor use.

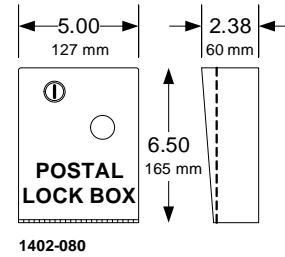
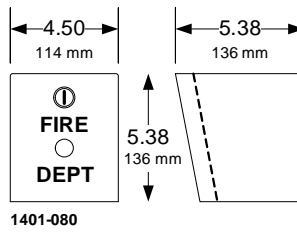
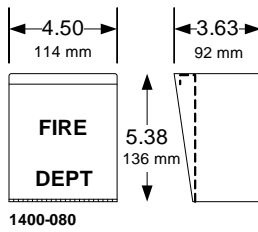
Push Buttons



Push Button Switch	
1211-080.....	90.00
<ul style="list-style-type: none"> Stainless steel faceplate. Mounts in single-gang electric box. Requires 12-VDC power to illuminate exit button. Indoor use only. 	
1211-081.....	72.00
<ul style="list-style-type: none"> Stainless steel faceplate. Mullion mount. Requires 12-VDC power to illuminate exit button. Indoor use only. 	
1211-083.....	130.00
<ul style="list-style-type: none"> No Touch exit button. Stainless steel faceplate. Mounts in single-gang electric box. Requires 12-VDC power. Indoor use only. 	

Piezoelectric Switch	
1211-090.....	436.00
<ul style="list-style-type: none"> Vandal resistant stainless steel faceplate. Selectable illumination status (red, green). Mounts in single-gang electric box. Requires 12-24 VDC power. 	
1211-091.....	452.00
<ul style="list-style-type: none"> Vandal resistant stainless steel faceplate. Selectable illumination status (red, green). Mullion mount. Requires 12-24 VDC power. 	

Lock Boxes



Fire Department Lock Box

1400-080 160.00

- Accepts Fire Department padlock.
- Surface or post mounted.
- Painted bright red.
- Constant contact switch when padlock is removed and the door is open.

1401-080 196.00

- Accepts Knox 3501 key switch.
- Surface or post mounted.
- Faceplate painted bright red.

Postal Service Lock Box

1402-080 216.00

- Accepts standard postal key lock.
- Surface or post mount.
- Painted Postal blue.
- Postal lock can be installed to either activate a door or gate, or simply open the postal box.

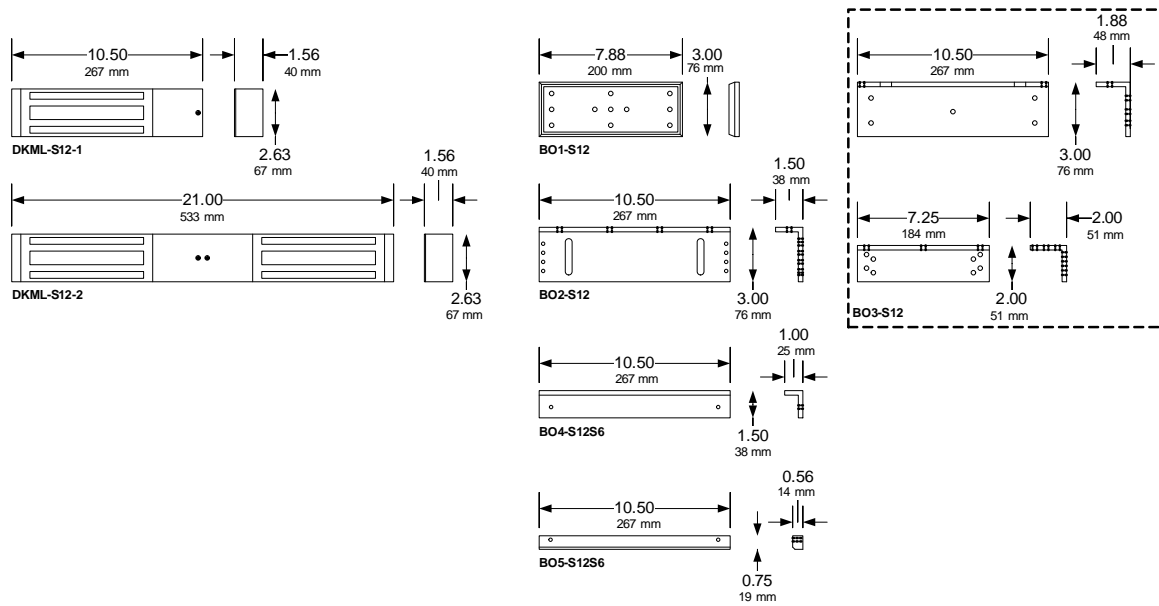
Replacement Components

Electronic Components

LED Light Kits	
1804-701.....	27.88
Use with 1209, 1504, 1506	
1804-705.....	29.28
Use with 1520 and lighted card readers	
1804-706.....	29.28
Use with 1503	

Magnetic Door Locks

1200 Lb (544 Kg) Door Locks (Indoor Use Only)



Single Door Locks Surface Mount

DKML-S12-1	454.00
DKML-S12-1L	562.00
DKML-S12-1LT	594.00

Dual Door Locks Surface Mount

DKML-S12-2	888.00
DKML-S12-2L	1108.00
DKML-S12-2LT	1164.00

- Locks operate on 12 or 24 Volt DC power.
- "L" includes LED status indicator.
- "T" includes built-in time delay.

Mounting Brackets

BO1-S12 Armature Bracket	70.26
BO2-S12 L Bracket	70.26
BO4-S12S6 Angle Bracket	78.06
BO5-S12S6 Spacer Bar	63.16
BO3-S12 L & Z Bracket Kit	174.00

Back-up Power Supply / Charger

1215-130 12/24 Volt @ 1 Amp	348.00
1215-131 12/24 Volt @ 2.5 Amp	600.00
1215-132 12/24 Volt @ 3 Amp	746.00
1215-133 12/24 Volt @ 6 Amp	1082.00

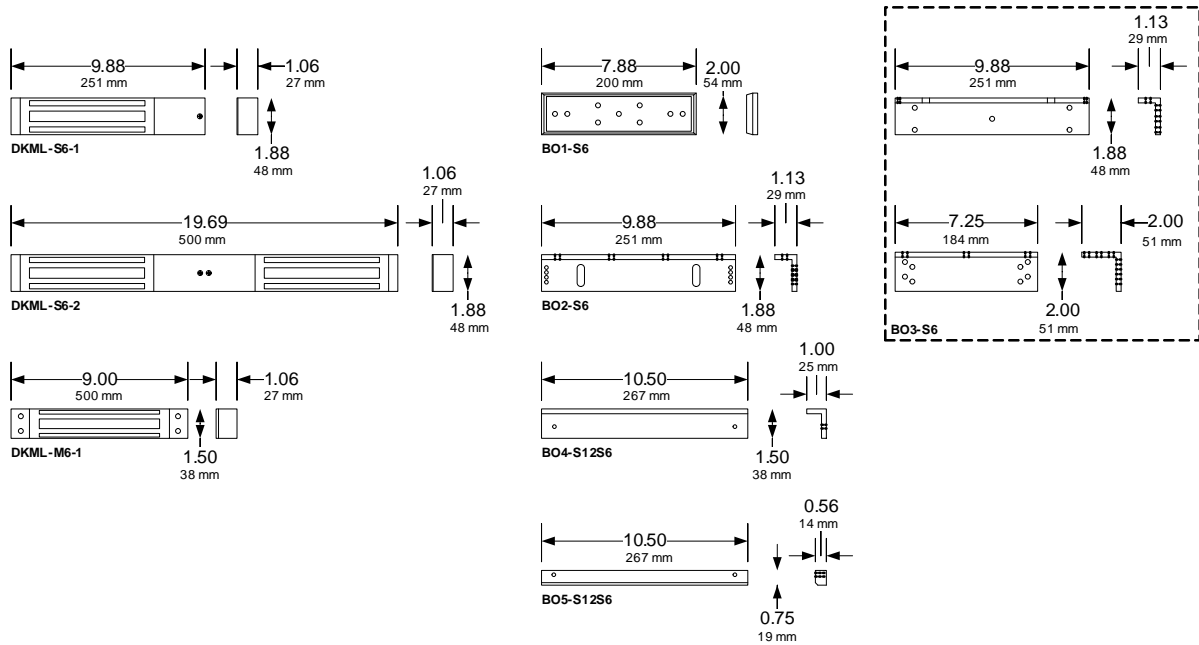
- Requires two (2) 12 Volt, 7 Ah SLA batteries (not included).

DC Lock Power Transformers

1812-018 12 Volt, 1000 mA	59.74
1812-136 24 Volt, 1000 mA	78.06

Magnetic Door Locks

600 Lb (272 Kg) Door Locks (Indoor Use Only)



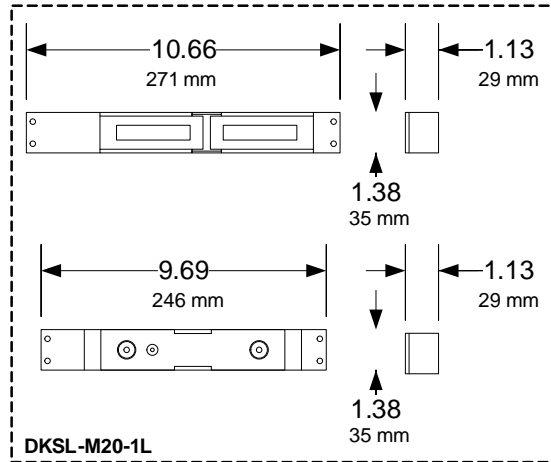
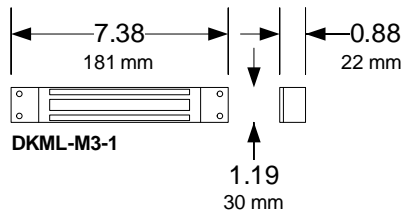
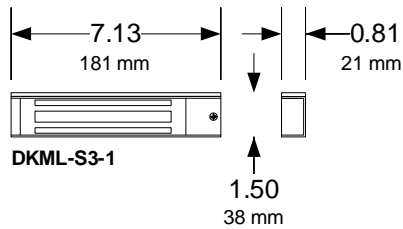
Single Door Locks Surface Mount	
DKML-S6-1	420.00
DKML-S6-1L	468.00
DKML-S6-1LT	514.00
Single Door Locks Mortise Mount	
DKML-M6-1	344.00
DKML-M6-1L	378.00
DKML-M6-1LT	412.00
Dual Door Locks Surface Mount	
DKML-S6-2	814.00
DKML-S6-2L	922.00
DKML-S6-2LT	998.00

- Locks operate on 12 or 24 Volt DC power.
- "L" includes LED status indicator.
- "T" includes built-in time delay.

Mounting Brackets	
BO1-S12 Armature Bracket	70.26
BO2-S12 L Bracket	70.26
BO4-S12S6 Angle Bracket	78.06
BO5-S12S6 Spacer Bar	63.16
BO3-S12 L & Z Bracket Kit	174.00
Back-up Power Supply / Charger	
1215-130 12/24 Volt @ 1 Amp	348.00
1215-131 12/24 Volt @ 2.5 Amp	600.00
1215-132 12/24 Volt @ 3 Amp	746.00
1215-133 12/24 Volt @ 6 Amp	1082.00
<ul style="list-style-type: none"> Requires two (2) 12 Volt, 7 Ah SLA batteries (not included). 	
DC Lock Power Transformers	
1812-018 12 Volt, 1000 mA	59.74
1812-136 24 Volt, 1000 mA	78.06

Magnetic Door Locks

300 Lb (136 Kg) Mini-locks and 2000 Lb (907 Kg) Shear Lock (Indoor Use Only)

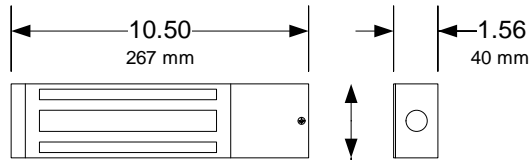


300 Lb. Door Locks	
DKML-S3-1 Surface Mount	346.00
DKML-M3-1 Mortise Mount	346.00
2000 Lb. Shear Lock Surface Mount	
DKSL-M20-1L	666.00
<ul style="list-style-type: none"> • Locks operate on 12 or 24 Volt DC power. • Shear lock includes LED status indicator and built-in signal relay. 	

Back-up Power Supply / Charger	
1215-130 12/24 Volt @ 1 Amp.....	348.00
1215-131 12/24 Volt @ 2.5 Amp.....	600.00
1215-132 12/24 Volt @ 3 Amp.....	746.00
1215-133 12/24 Volt @ 6 Amp.....	1082.00
<ul style="list-style-type: none"> • Requires two (2) 12 Volt, 7 Ah SLA batteries (not included). 	
DC Lock Power Transformers	
1812-018 12 Volt, 1000 mA.....	59.74
1812-136 24 Volt, 1000 mA.....	78.06

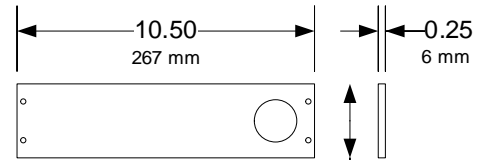
Magnetic Gate Locks

600 Lb (272 Kg) and 1200 Lb (544 Kg) Gate Locks



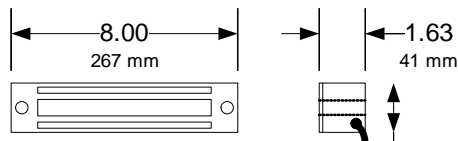
1216-080 / 1216-081
DKGL-S12-1 / DKGL-S12-1L

2.63
67 mm



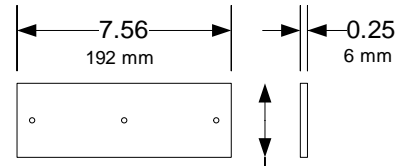
BO1-GL12

2.63
67 mm



DKGL-S6-1

1.75
44 mm



BO2-GL12

2.63
67 mm

1200 Lb. Gate Lock Kits Surface Mount

1216-080.....	578.00
1216-081.....	680.00

- 1216-081 has built-in signal relay.
- Kits include predrilled and tapped mounting brackets, BO1-GL12 and BO2-GL12.

1200 Lb. Gate Locks Top, Bottom or Face Mount

DKGL-S12-1.....	480.00
DKGL-S12-1L w/Signal Relay.....	590.00

600 Lb. Gate Lock Face Mount Only

DKGL-S6-1 w/Signal Relay.....	448.00
-------------------------------	--------

- Gate locks operate on 12 or 24 Volt DC power.

Mounting Brackets

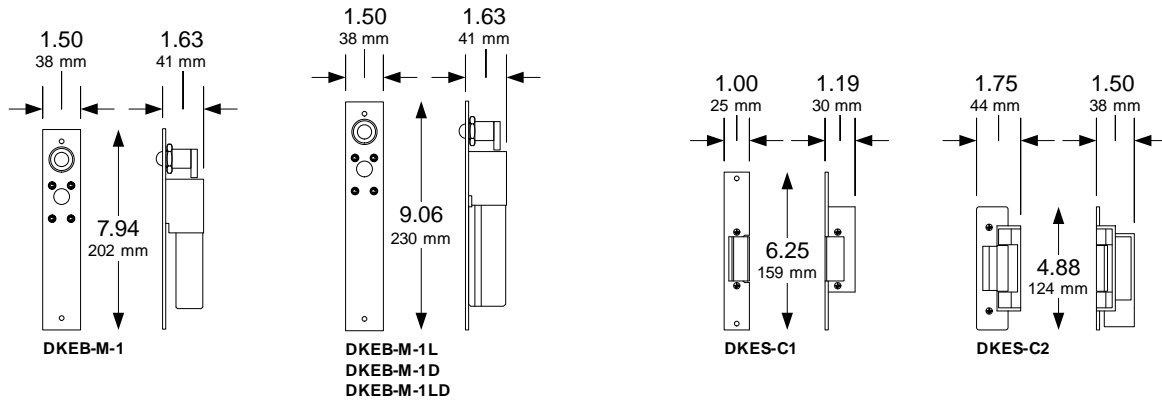
BO1-GL12 Lock Bracket.....	97.56
BO2-GL12 Armature Bracket.....	83.62

DC Lock Power Transformers

1812-018 12 Volt, 1000 mA.....	59.74
1812-136 24 Volt, 1000 mA.....	78.06

Electric Door Locks

Dead-bolts and Strikes



Dead-bolt Door Locks	
DKEB-M-1	492.00
DKEB-M-1L	514.00
DKEB-M-1D	514.00
DKEB-M-1LD	540.00

- "L" includes sensor to indicate locked or unlocked condition.
- "D" includes door sensor to indicate an open or closed door.

Electric Strikes 11/32 inch (8.74 mm) keeper	
DKES-C1-1FX	84.86
DKES-C1-1FS	87.82

Electric Strikes 20/32 inch (15.88 mm) keeper	
DKES-C2-1FX	106.00
DKES-C2-1FS	110.00

- FX = Fail Secure
- FS = Fail Safe

Blank Page

Blank Page