



DC8000 Series Door Closers

Product Catalog

Experience a safer
and more open world

Versatility

The DC8000 Series door closer offers a versatile, dependable and easy-to-install product, making it an ideal choice. The tri-pack assembly of regular arm, top jamb and parallel arm allows one closer to be stocked for multiple applications. A variety of features, including heavy-duty arms, cast-iron closer body and captured valves, ensure dependability and vandal resistance. Special mounting brackets and retrofit plates allow for quick installation in both new and retrofit applications.

Features	Benefits
Exceeds 25 Million Cycles	Ensures dependability and long life
Cast-iron closer body	Strong and durable
Heavy-duty arms	Forged 9/16" steel to withstand heavy use and abuse
Tri-packed assembly (regular arm, top jamb & parallel arm mounting), non-handed. Specify DC8210.	Allows one closer to be stocked for a variety of applications
Universal Quik-Install™ mounting bracket and door marker	Easy, foolproof installation
Multi-sized closers	Adjustable 1 through 6
Captured valves	Vandal-resistant; reduces the possibility of valve removal
Double heat-treated steel pinion	Hard-wearing
2-1/4" projection	Less noticeable, complements the opening
Regular arm allows door swing to 180° (conditions permitting)	Versatile, adjustable for specific applications or conditions
Retrofit plates	Allows DC8000 to replace LCN 4040 and 4010 series closers without modifying the door prep
Cover options	ABS (standard); metal (optional). Custom colors and plated finishes available
ADA compliant	Ideal for applications such as healthcare, schools, public buildings
ANSI/BHMA A156.4	Grade 1 certified closer
UL10C and UBC 7-2c	Meets Positive Pressure Fire Test requirements
25-year warranty	Ensures long-lasting value

Features

DC8000 Series

DC8200 Series - Multi-Sized

Features

Spring Power

DC8200 Series closers: multi-sized; fully adjustable sizes 1 through 6.

Handing

Non-handed.

Body

Cast-iron case with seamless cold headed steel spring tube.

Arm

Standard: heavy-duty forged steel. Arm options pages 17-20.

Spindle

Cold headed heat-treated steel.

Piston

1-1/2" diameter; Precision machined, heat-treated steel.

Springs

Chrome silicon wire.

Valves

Latching speed valve, closing speed valve and backcheck valve are standard.

Delayed action valve optional. Delayed action preset for 20 seconds. Between 90° and 70° for all mountings. To order specify M71.

Seals

"O" rings.

Fluid

Standard: high lubricity extreme temperature hydraulic fluid.

Degree of Opening

Up to full 180° opening standard for regular, top jamb and parallel arm mountings, conditions permitting.

Power Adjustment Arm Bracket

15% adjustment standard for regular arm and top jamb (non-hold open only).

Tri-packed

DC8210 comes with screws, brackets and soffit plates to allow for regular, top jamb and parallel arm installations.

Cover

Standard: full ABS cover.

Optional: full metal cover; specify M73 x hand.

Mountings

Standard: regular and top jamb.

Optional mountings available; see Mountings, page 6.

Mounting Bracket

Universal Quik-Install™ mounting bracket standard.

Fasteners

Self drilling and machine screws standard. Sleeve nuts and bolts (SNB) optional; specify M54.

Corrosion Protection

Painted protective coating on all metal surfaces for use in corrosive environments. To order specify M75.

Security Package

Includes heavy-duty parallel or regular arm, full metal cover and security Torx® machine screws. Specify M87 x arm x hand. Available arms: A2, A3, A4, A5, A10 and A13.

Warranty

25-year limited warranty. Refer to Corbin Russwin price book for details.

Finishes

Specify	Description
600 (USP)	Primed
BHMA 605 (US3)*	Bright Brass
BHMA 606 (US4)*	Satin Brass
BHMA 611 (US9)*	Bright Bronze
BHMA 612 (US10)*	Satin Bronze
613E	Dark Oxidized Satin Bronze, Equivalent
BHMA 625 (US26)*	Bright Chromium Plated
BHMA 626 (US26D)*	Satin Chromium Plated
689 (SBL)	Silver Aluminum
690 (LBL)	Dark Bronze
691 (DBL)	Light Bronze
693 (FBL)	Black
696 (GBL)	Satin Brass
BSP	Black Suede Powder Coat
WSP	White Suede Powder Coat

*Metal cover is required for these finishes.

For split finish on closer cover and arm, specify cover finish first, then arm finish. (e.g., DC6200 x 625 x 689).

Certification/Compliance



Barrier-Free Code Compliance

The DC8000 Series Door Closers listed below conform to the 5 lbf. maximum door opening force requirement for non-fire-rated interior hinged doors, according to:

Americans with Disabilities Act (ADA)

Complies with the Accessibility Guidelines for Buildings and Facilities, Section 4.13.11

ANSI/BHMA

Meets A156.4, Grade 1.

Meets A117.1.

DC8200

DC8210

DC8220

These door closers are certified by Corbin Russwin Architectural Hardware to comply with the above standards when properly installed and (if applicable) adjusted, in regular arm, parallel arm and top jamb mountings.

UL/ULC/UL10c

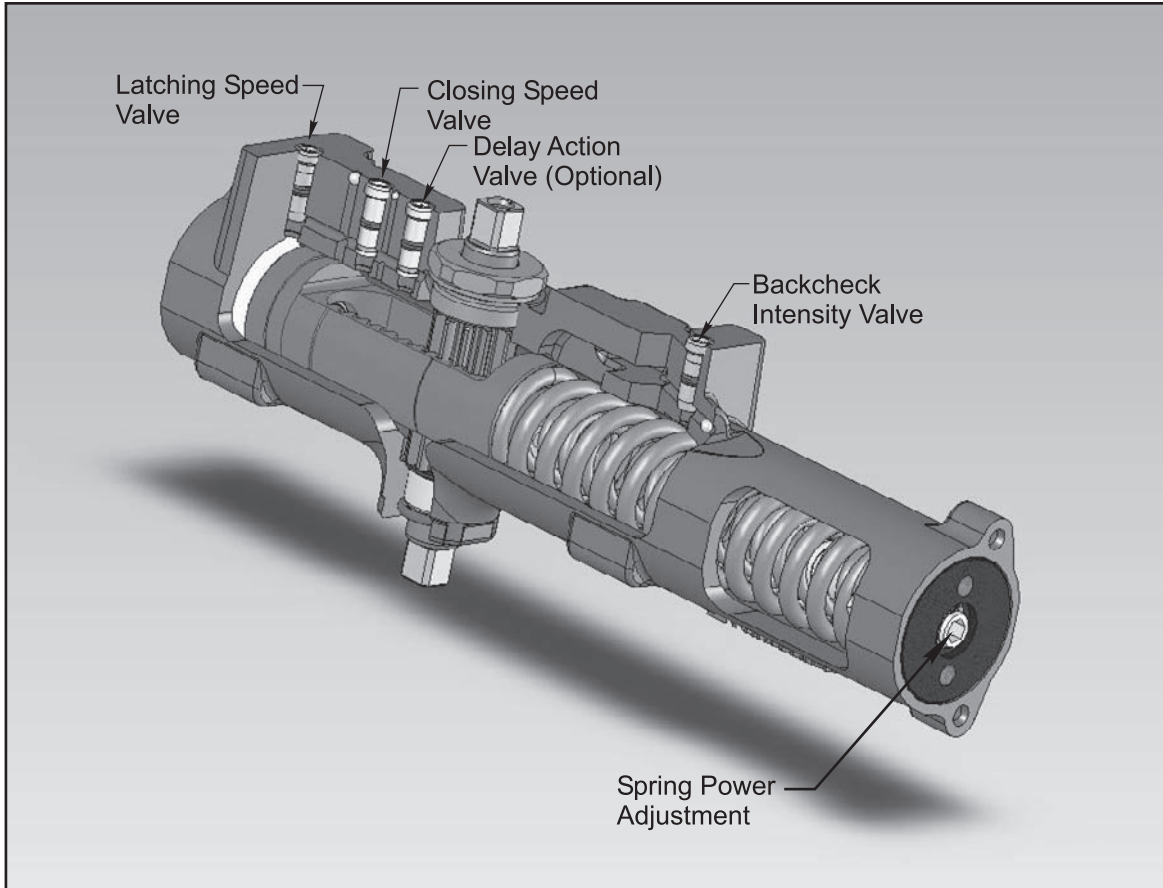
Listed for fire and cycle requirements.

25 Million Cycles

Witnessed and verified by UL

Features

DC8000 Series



Mountings and Applications

DC8000 Series



Regular Arm Mounting DC8200 Series

Most common mounting, providing the greatest closing efficiency. Closer is mounted on the pull side, with the arm almost perpendicular to the face of the door. Arm bracket is attached to the door frame.



Parallel Arm Mounting DC8210 Series

Allows inside application of closer on out-swinging doors. Closer is mounted on the push side, with the arm almost parallel to the face of the door. Arm does not project from the opening.



Top Jamb Mounting DC8220 Series

Closer is mounted on the frame on the push side, with the arm perpendicular to the face of the door. Arm bracket is mounted on the door. Minimum 1-3/4" (44mm) top jamb required. Accommodates reveals up to 3-1/4" (83mm).



Track Mounting DC8230 Series

Closer is door mounted on the pull side; arm is connected to a frame-mounted track. Maximum degree of opening is 100°. Maximum closing power is size 4.

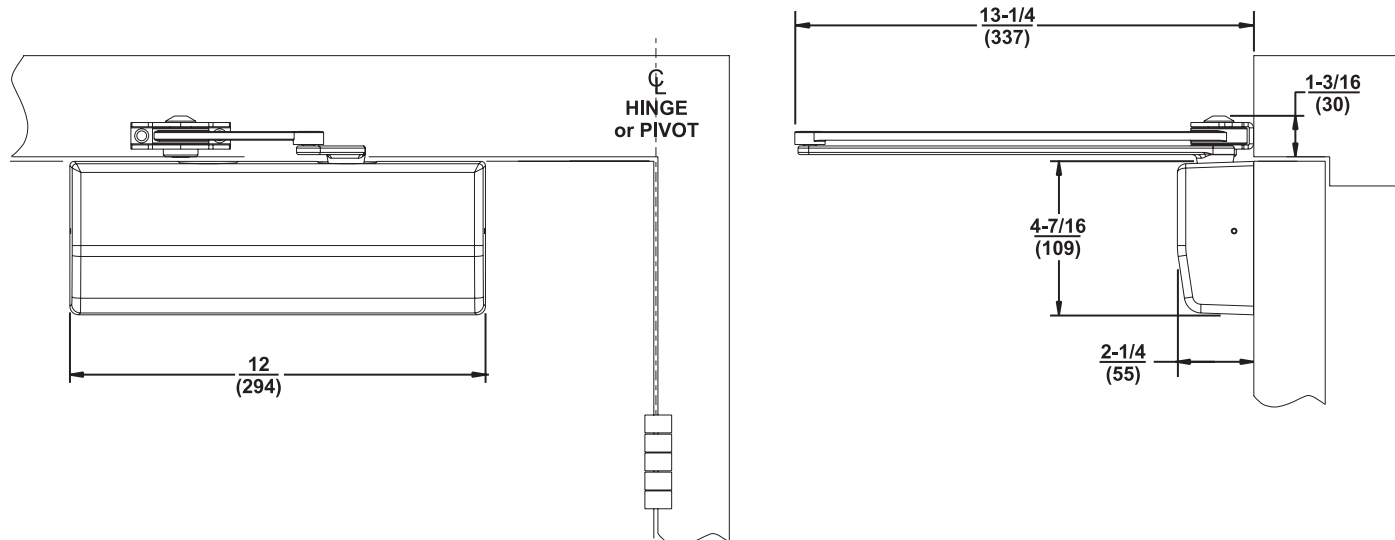


Track Mounting DC8240 Series

Closer is mounted on push side of door; arm is connected to a stop-mounted track. Maximum degree of opening is 100°. Maximum closing power is size 4.

Regular Arm Mounting

DC8000 Series



Mounting holes for Quik-Install™ bracket are spaced 1" (25mm) x 10" (254mm).

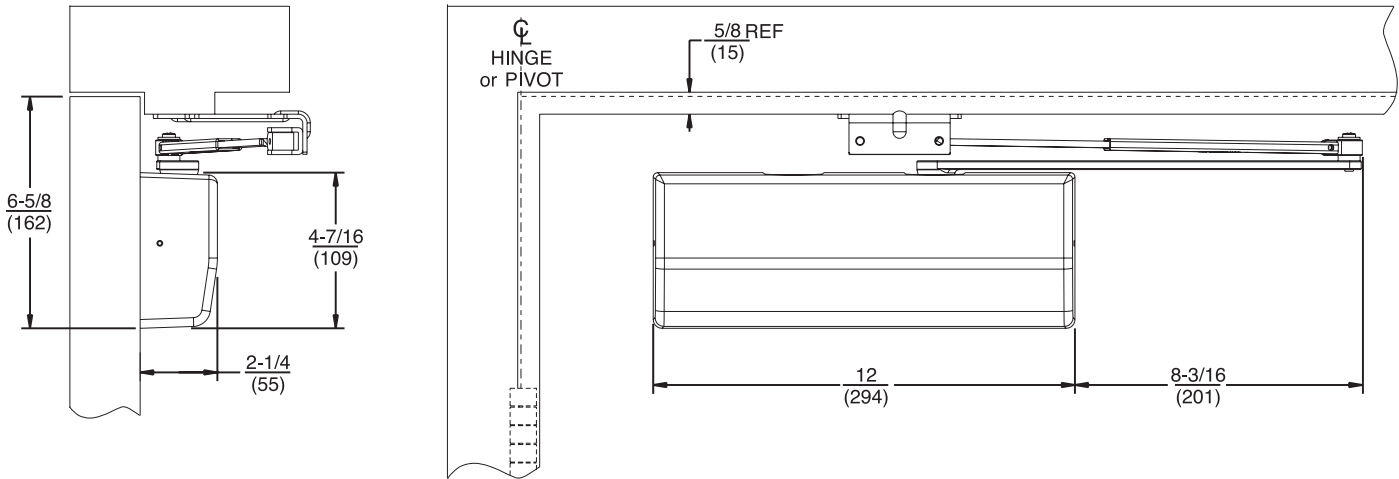
Arm Function	Minimum Header	Minimum Top Rail	Model Numbers	
			Non-Hold Open	Hold Open
Non-Hold Open	1-1/2" (38)	3" (76)	DC8200^	DC8200 x A1^
Hold Open	1-11-16" (43)			

^Closers are bi-packed for regular arm and top jamb mounting.
Consult factory if door weight exceeds 250lbs.

Note: Standard door widths: interior 28"-60" (71-152cm)
exterior 30"-54" (76-137cm)

Parallel Arm Mounting

DC8000 Series



Mounting holes for Quik-Install™ bracket are spaced 1" (25mm) x 10" (254mm).

Arm Function	Minimum Top Rail
Non-Hold Open	5-1/4" (133)
Hold Open	

Model Numbers	
Non-Hold Open	Hold Open
DC8210	DC8210 x A1

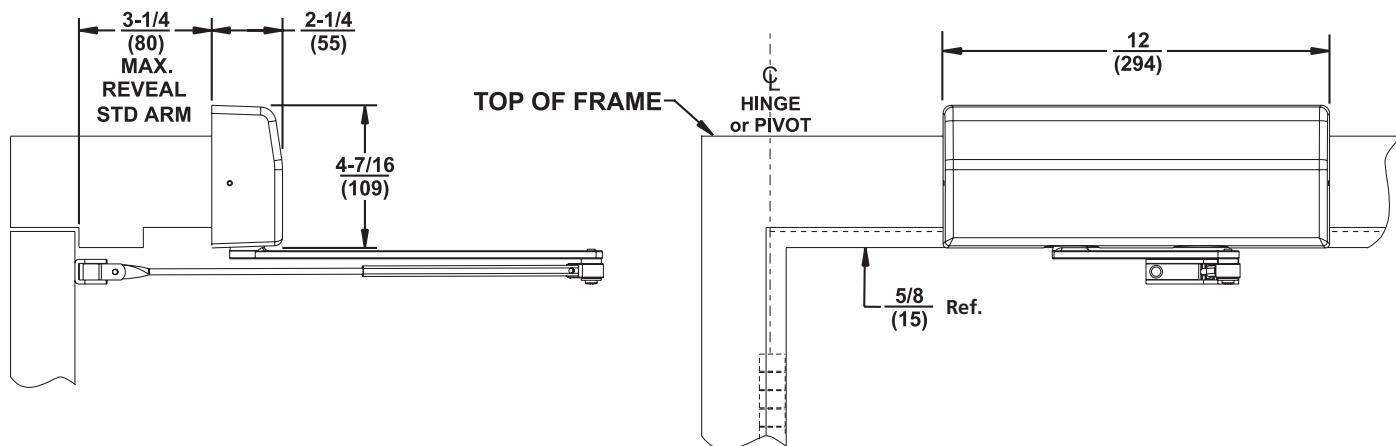
Standard arm closers are tri-packed.

Consult factory if door weight exceeds 250lbs.

Note: Standard door widths: interior 28"-54" (71-137cm)
exterior 30"-48" (76-122cm)

Top Jamb Arm Mounting

DC8000 Series



Mounting holes for Quik-Install™ bracket are spaced 1" (25mm) x 10" (254mm).

Header Width	Minimum Top Rail	Ceiling Clearance
Standard	1-7/8" (48)	4" (102)
Narrow	2-1/4" (57)	3-5/8" (92)

Model Numbers	
Non-Hold Open	Hold Open
DC8220^	DC8220 x A1^

^Closers are bi-packed for regular arm and top jamb mounting.

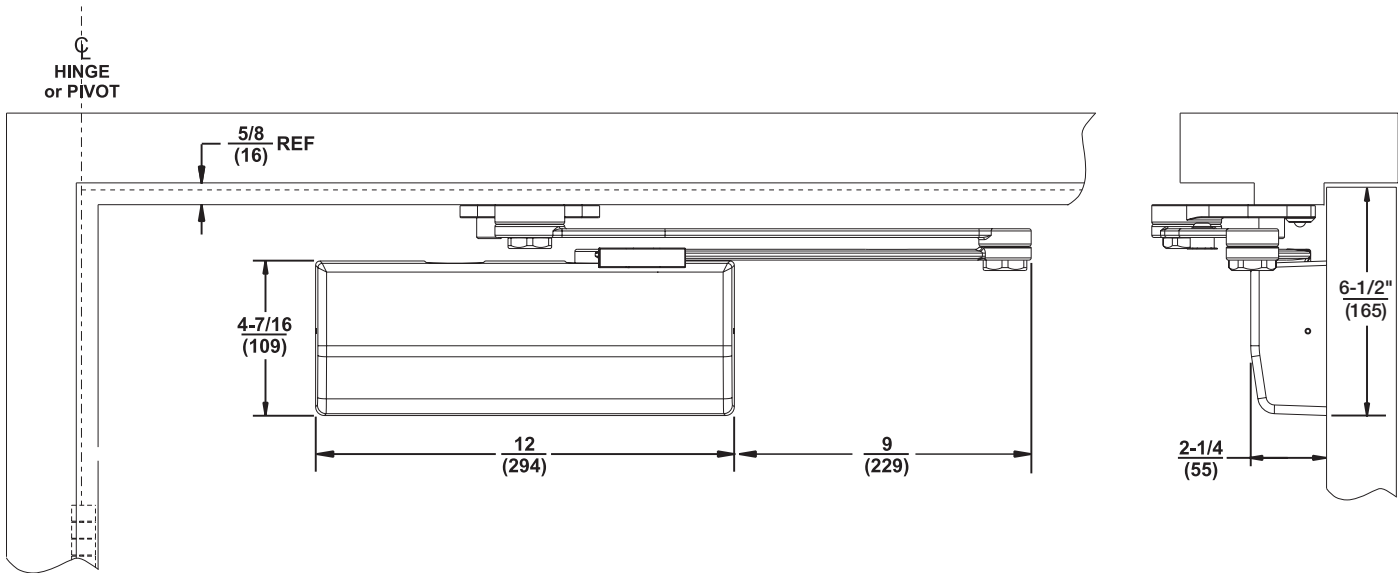
Consult factory if door weight exceeds 250lbs.

Note: Standard door widths: interior 28"-60" (71-152cm)

exterior 30"-48" (76-137cm)

Parallel Arm Mounting Heavy-Duty Hold Open Arm With Stop

DC8000 Series



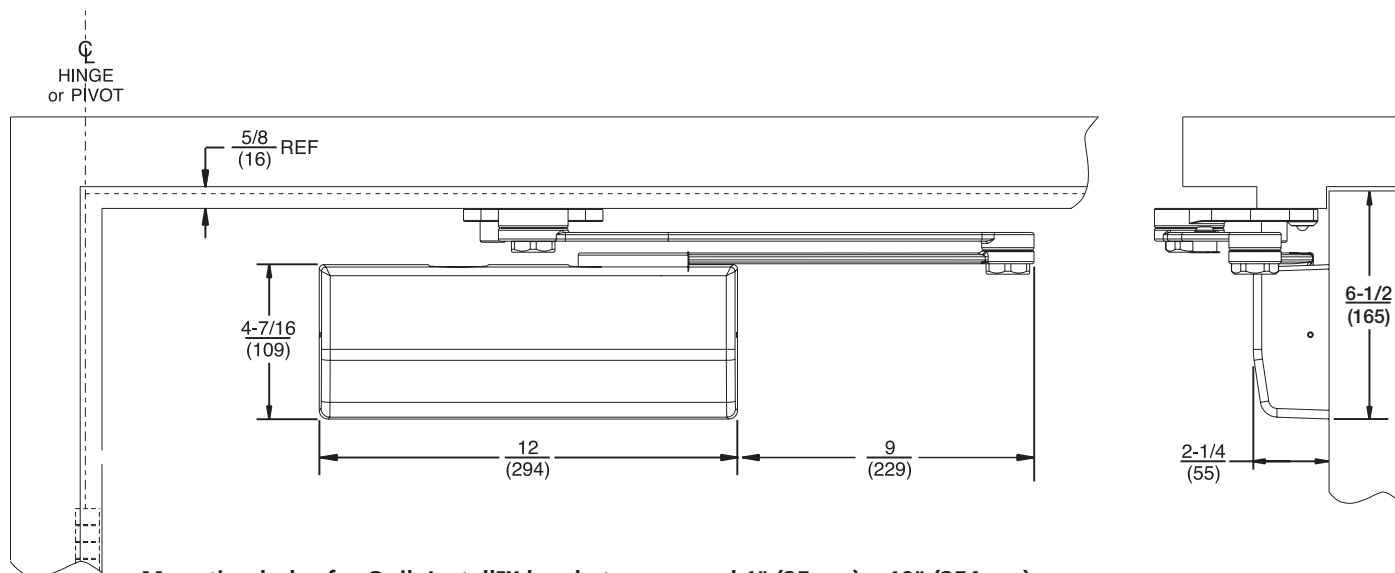
Mounting holes for Quik-Install™ bracket are spaced 1" (25mm) x 10" (254mm).

Minimum Top Rail	Model Numbers
5" (127)	Hold Open
	DC8210 x A2

Consult factory if door weight exceeds 250lbs.
 Note: Standard door widths: interior 28"-54" (71-137cm)
 exterior 30"-48" (76-122cm)

Parallel Arm Mounting Heavy-Duty Non-Hold Open Arm With Stop

DC8000 Series



Minimum Top Rail

5" (127)

Model Number

Non-Hold Open

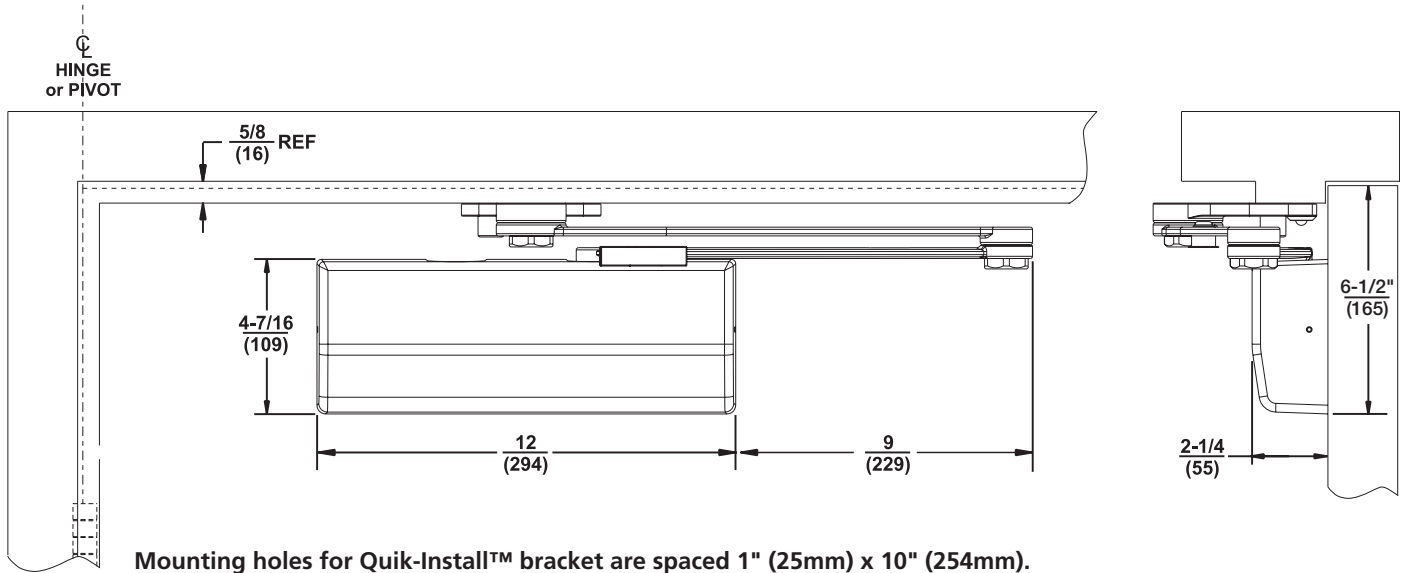
DC8210 x A3

Consult factory if door weight exceeds 250lbs.

Note: Standard door widths: interior 28"-54" (71-137cm)
exterior 30"-48" (76-122cm)

Parallel Arm Mounting Heavy-Duty Backstop Arms

DC8000 Series

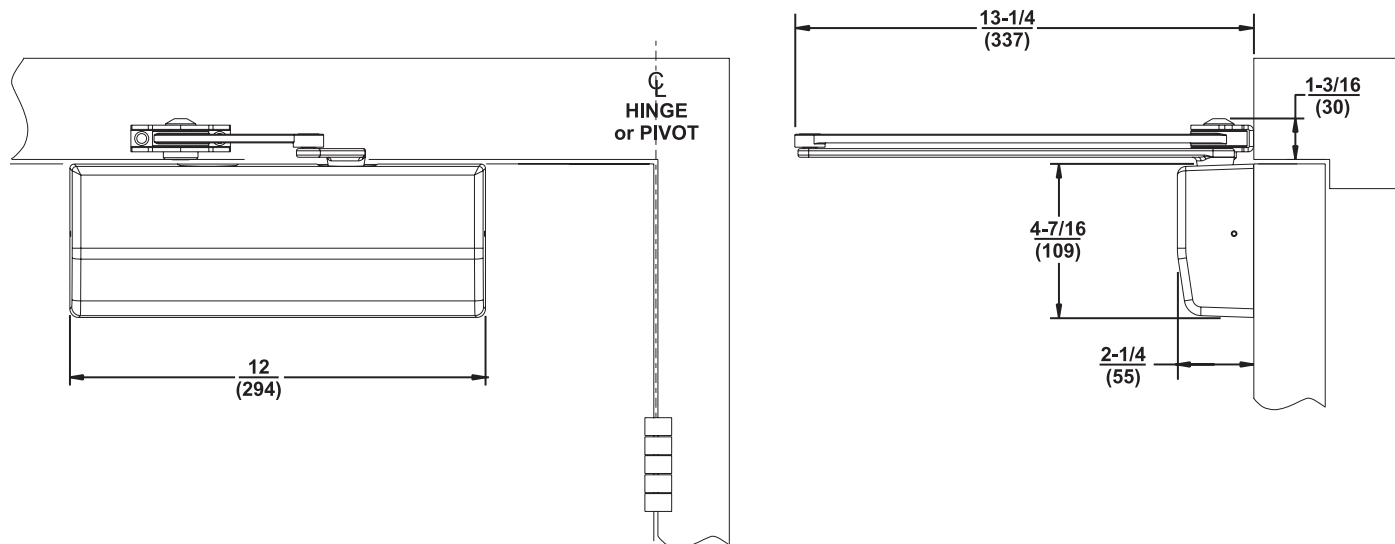


Minimum Top Rail	Model Numbers	
	Non-Hold Open	Hold Open
5" (127)	DC8210 x A4	DC8210 x A5

Consult factory if door weight exceeds 250lbs.
 Note: Standard door widths: interior 28"-54" (71-137cm)
 exterior 30"-48" (76-122cm)

Regular Arm Mounting Heavy-Duty Non-Hold Open Arms

DC8000 Series



Mounting holes for Quik-Install™ bracket are spaced 1" (25mm) x 10" (254mm).

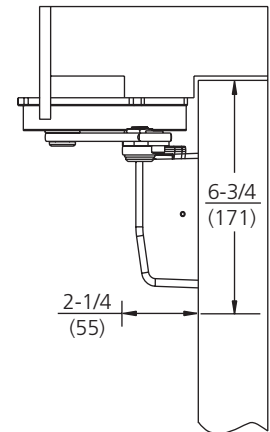
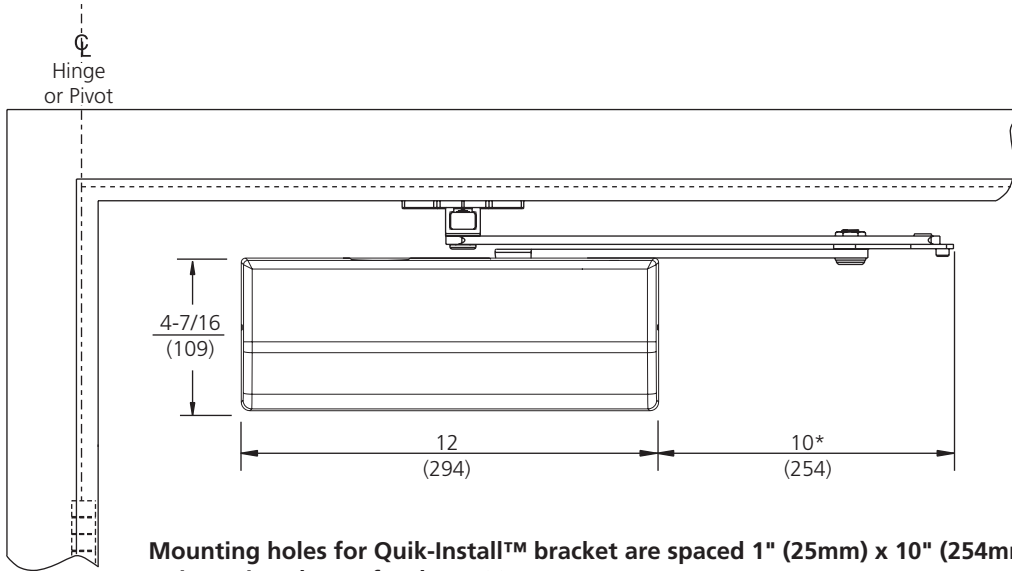
Minimum Header	Minimum Top Rail	Model Number
1-5/8" (41)	3" (76)	Non-Hold Open
		DC8200 x A10

Consult factory if door weight exceeds 250lbs.

Note: Standard door widths: interior 28"-60" (71-152cm)
 exterior 30"-54" (76-137cm)

Unitrol® Parallel Arm Mounting

DC8000 Series



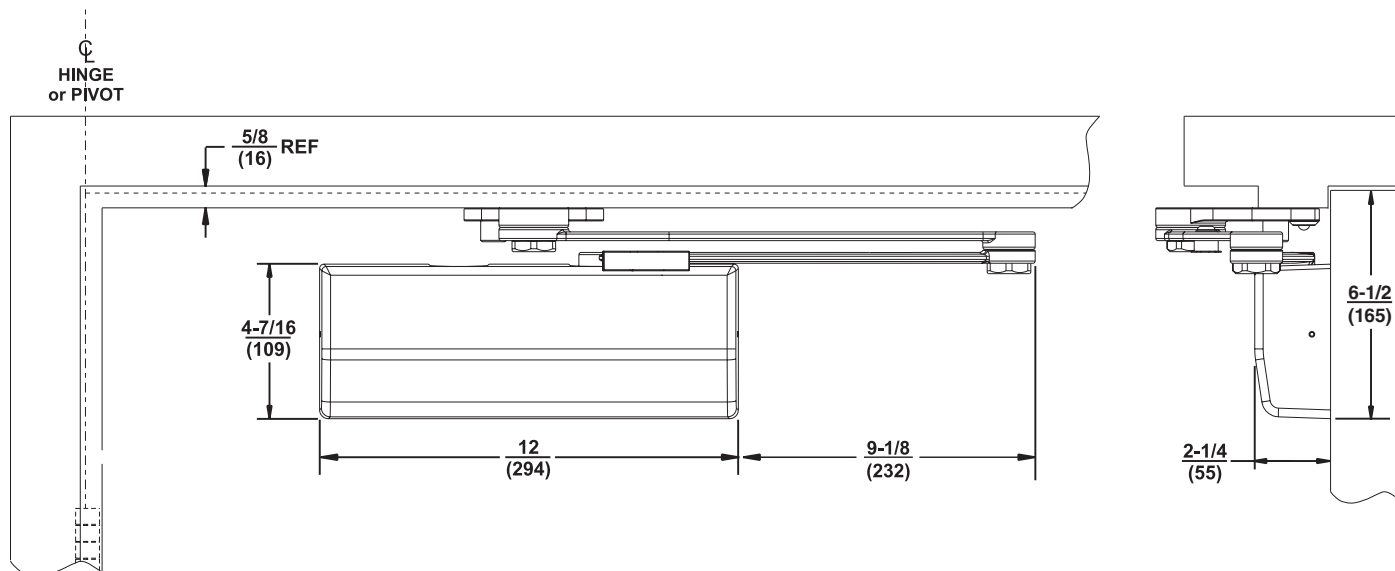
Minimum Top Rail	Non-Hold Open	Hold Open	Specify door width (Quick Code)
5" (127)	DC8210 x A11	DC8210 x A12	W28 (28"-32") W33 (33"-41") W42 (42"-48")

Consult factory if door weight exceeds 250lbs.

Note: Standard door widths: interior 28"-54" (71-137cm)
exterior 30"-48" (76-122cm)

Parallel Arm Mounting Heavy-Duty Friction Hold Open Arms

DC8000 Series



Mounting holes for Quik-Install™ bracket are spaced 1" (25mm) x 10" (254mm).

Consult factory if door weight exceeds 250lbs.

Minimum Top Rail

5" (127)

Model Number

Hold Open

DC8210 x A14

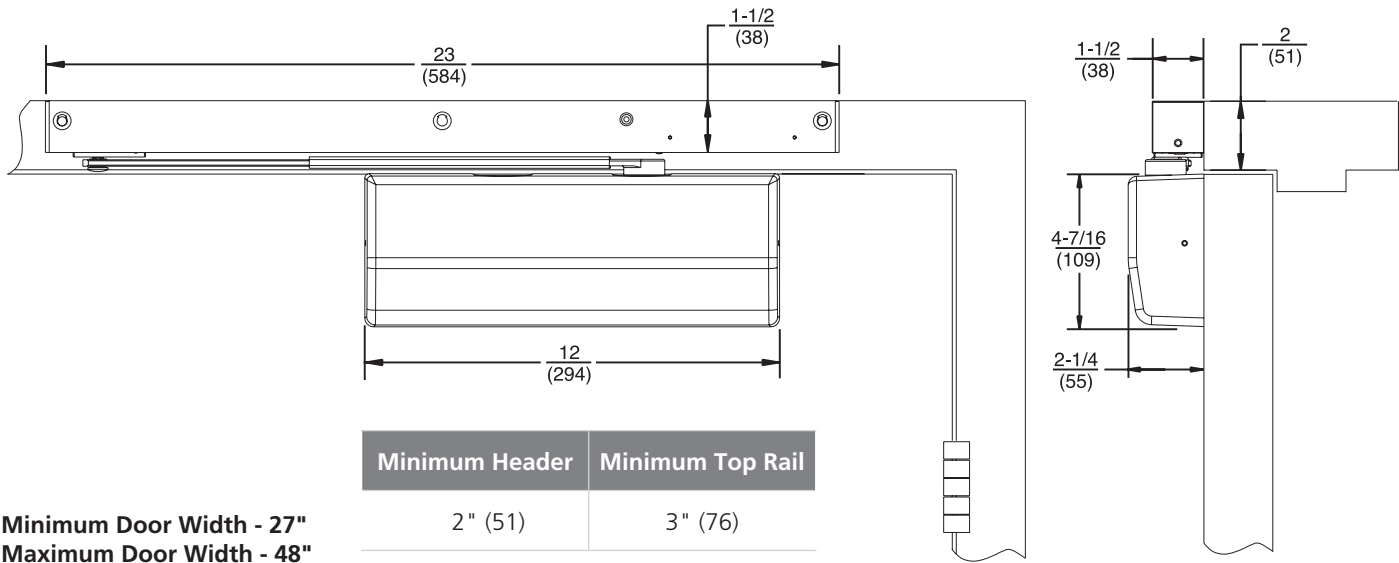
Consult factory if door weight exceeds 250lbs.

Note: Standard door widths: interior 28"-54" (71-137cm)
exterior 30"-48" (76-122cm)

Track Applications

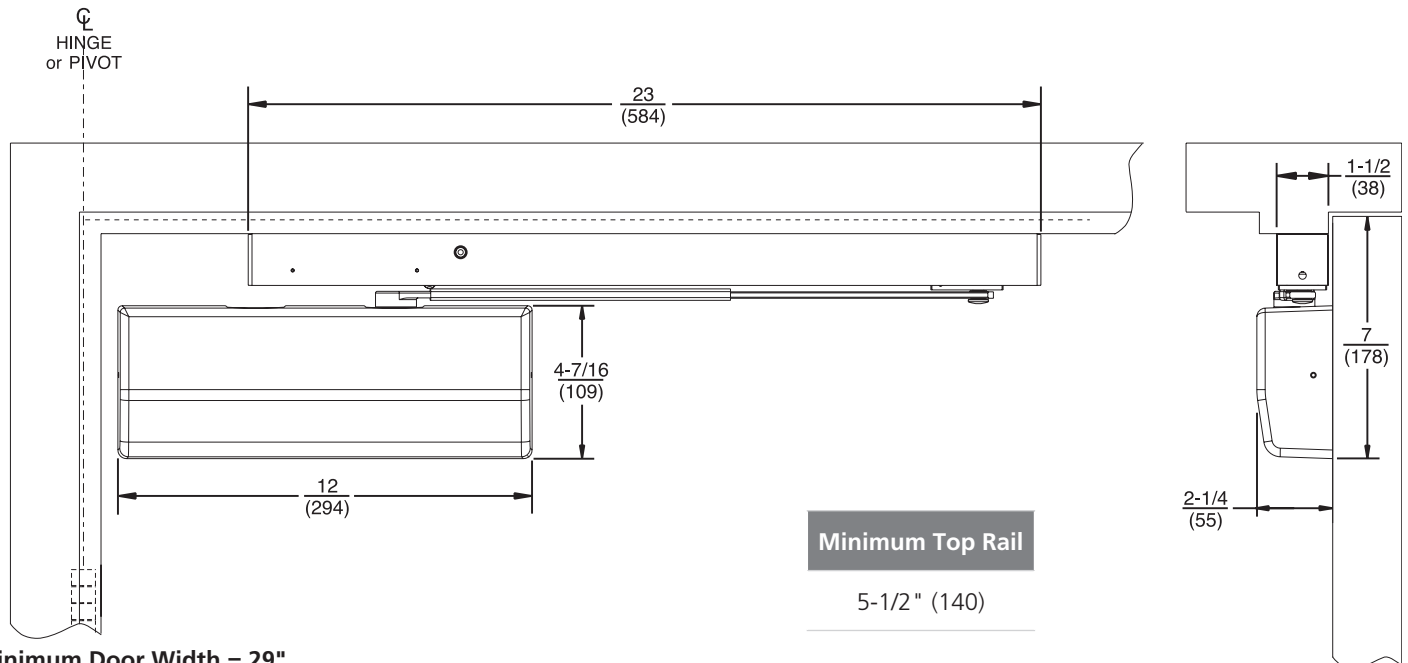
DC8000 Series

Pull Side Mounting - DC8230



Minimum Door Width - 27"
Maximum Door Width - 48"
Consult factory if door weight exceeds 250lbs.

Push Side Mounting - DC8240

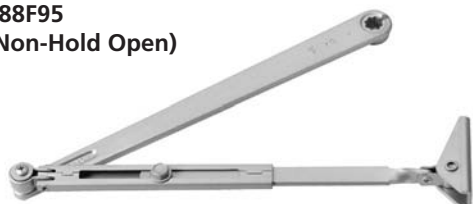


Minimum Door Width = 29"
Mounting holes for Quik-Install™ bracket are spaced 1" (25mm) x 10" (254mm)
Consult factory if door weight exceeds 250lbs.

Arm Options

DC8000 Series

688F95
(Non-Hold Open)



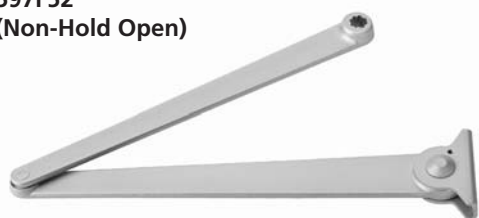
Regular Arm

- Used with Regular Arm mounting (pull side) and Top Jamb mounting (push side)
- Available in painted or plated finishes
- Non-hold open arm standard on the DC8200 closers
- Hold open arm optional, specify closer x **A1***

688F77
(Hold Open)



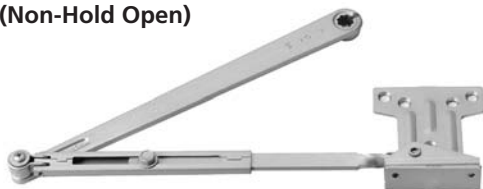
597F52
(Non-Hold Open)



Heavy-Duty Regular Arm

- Recommended for high-use, high-abuse environments
- Tamper-resistant, solid forged steel riveted arm
- Mounted on pull side
- Not available in plated finishes
- Optional on DC8200 closers, specify closer x **A10**

688F95 x 188F41
(Non-Hold Open)



Parallel Arm

- Mounted on push side
- Available in painted or plated finishes
- Non-hold open arm – combines regular arm with parallel arm mounting bracket
- Hold open arm – combines regular hold-open arm with parallel arm mounting bracket
- Non-hold open arm standard – order DC8210 series
- Hold open arm optional, specify closer x **A1***

688F77 x 509F49
(Hold Open)



Specify finish when ordering arms. *Not allowed by code on fire doors.

Arm Options

DC8000 Series

689F02
(Non-Hold Open)



689F01
(Hold Open)



Heavy-Duty Parallel Arm

- Recommended for high-use, high-abuse environments
- Tamper-resistant, solid forged steel riveted arm
- Mounted on push side
- Not available in plated finishes
- Optional on DC8210 closers
- Non-hold open arm, specify closer x **A3**
- Hold open arm, specify closer x **A2***. Hold open range 85° to 110°
- For use with overhead stops, specify closer x **A13** (non-hold open only)

689F03
(Non-Hold Open)



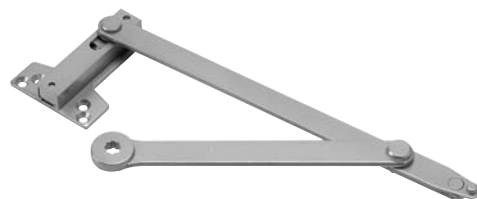
689F04
(Hold Open)



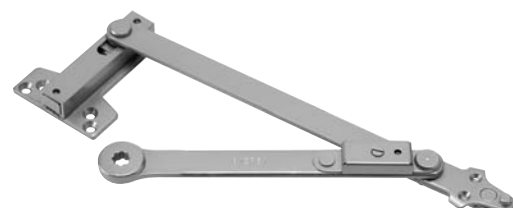
Heavy-Duty Reversible Backstop Parallel Arm

- Recommended for high-use, high-abuse environments
- Tamper-resistant, solid forged steel riveted arm (mounted on push side)
- Field-reversible steel lug restricts degree of opening to protect door, wall and hardware
- Requires both backcheck valves on closer
- Shipped standard as left hand. Handing can be reversed in the field
- Not available in plated finishes
- Optional on DC8210 closers
- Non-hold open arm, specify closer x **A4**. Door stop range 85° to 110°
- Hold open arm, specify closer x **A5***. Door stop/hold open range 85° to 110°

(Non-Hold Open)



(Hold Open)



Heavy-Duty Unitrol® Parallel Arm

- Recommended for high-use, high-abuse environments
- Integrates a door closer, shock absorber and auxiliary heavy-duty overhead stop
- Requires both backcheck valves on the closer
- Not available in plated finishes
- Hold open*
 - Holder mechanism tension adjustable
 - Hold open can be engaged/disengaged with a 1/4 turn of the mechanism with a standard blade type screwdriver
- Optional on DC8210 closers
- Non-hold open arm, specify closer x **A11 x door width**
- Hold open arm, specify closer x **A12 x door width**

Door Width	Part Numbers	
	Non-Hold Open	Hold Open
28" - 32" (71cm - 81cm)	615F52	615F51
33" - 41" (84cm - 104cm)	615F54	615F53
42" - 48" (107cm - 122cm)	615F56	615F55

Refer to page 20 for bracket information

Experience a safer
and more open world

DC8000.18

Specify finish when ordering arms. *Not allowed by code on fire doors.

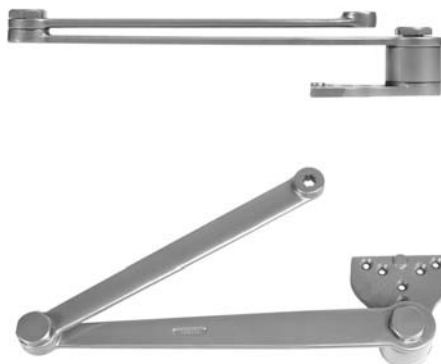
Copyright © 2006-2019, ASSA ABLOY Access and Egress Hardware Group, Inc. All rights reserved. Reproduction in whole or in part without the express written permission of ASSA ABLOY Access and Egress Hardware Group, Inc. is prohibited. Patent pending and/or patent www.assaabloydss.com/patents.

45528 9/19

Arm Options

DC8000 Series

691F96 (Non-Hold Open)



Heavy-Duty Extra Clearance Parallel Arm

- Recommended for high-use, high-abuse environments
- Provides additional vertical clearance
- Mounted on push side
- Not available in plated finishes
- Optional on DC8210 closers
- Non-hold open arm only, specify closer x **A13**

Standard Clearance	Closer	691F96 With Spacer	Quick Code	Total Clearance
1-3/4"	DC8210	597F92	M77	2-1/4"
		597F93	M78	2-3/8"



Heavy-Duty Parallel Hold Open* Arm

- Recommended for high-use, high-abuse environment
- Requires auxiliary stop
- Allows door to swing 180°, conditions permitting
- Handed
- Mounted on push side
- Not available in plated finishes
- Optional on DC8210 closers
- Hold open arm, specify closer x **A14**

Part Number	Handing
692F04	Right Hand
692F05	Left Hand

*Not allowed by code on fire doors.

Arms and Brackets

DC8000 Series



Pull Side Track Arm

- Provides a clean aesthetic look with maximum 100° door swing and a minimum door width of 28" (71cm)
- Mounted on pull side
- Hold open can be set for 85°, 90°, 95°, or 100°
- Not available in plated finishes
- Non-hold open standard on DC8230 closers
- Hold open, specify closer x **A1***

	Track Only	Arm Only
Non-Hold Open	754F09	754F16
Hold Open	754F10	



Push Side Track Arm

- Clean aesthetic look for doors opening a maximum of 100° and a minimum door width of 32" (81cm)
- Backcheck option recommended
- Not available in plated finishes
- Hold open*
 - From 85° to 100°
 - Turn knob offers the use the option of turning hold open on or off
- Mounted on push side

	Track and Arm	Track Only	Arm Only
Non-Hold Open	754F12	754F14	754F16
Hold Open	754F13	754F15	



Deep Reveal Arm (3-3/8" (86mm) - 7-1/4" (184mm))

- Accommodates top jamb mounting for reveals up to 7-1/4" (184mm), depending on door and frame conditions
- Mounted on push side
- Available in painted or plated finishes
- Optional on DC8220 closers
- Non-hold open, specify closer x **A6**
- Hold open, specify closer x **A8***

Non-Hold Open	691F72
Hold Open	691F74

Specify finish when ordering arms or tracks. *Not allowed by code on fire doors.

Mounting Brackets

DC8000 Series

754F18



Universal QUIK-INSTALL Mounting Bracket

- Standard on all closers
- Reduces installation time
- Ensures correct mounting
- Bracket is first mounted to door or frame, then closer is attached
- Bracket size: 3-5/8" (92mm) x 11-1/2" (292mm)
- Hole spacing: 1" (25mm) x 10" (254mm)

244F17



Mortise Arm Bracket for Regular Arm Mounting

- For regular arm mounting where frame requires reinforcement, i.e., on frames with bull nose trim
- Not available in plated finishes
- Specify closer x M84

188F41



Parallel Arm Non-Hold Open Bracket

- Converts regular arm to parallel arm closer
- Standard with parallel arm mounting
- Packed with five screws and 691F78 spacer

509F49



Parallel Arm Hold Open Bracket

- Converts regular arm hold open to parallel arm hold open closer
- Standard with parallel arm hold open mounting

188F62



Parallel Arm Offset Bracket

- Required when parallel arm is used in conjunction with an overhead door holder
- Specify closer x M83

188F63



Parallel Arm Flush Transom Bracket

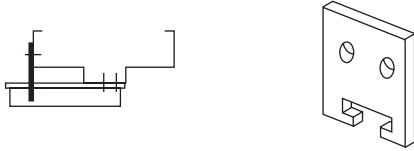
- Required when parallel arm mounting is used on a flush transom application
- Not available in plated finishes
- Specify closer x M82

Specify finish when ordering parts.

Brackets

DC8000 Series

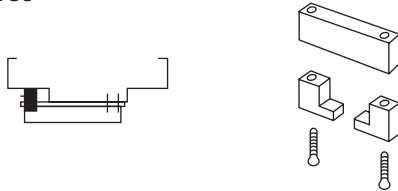
615F58



Reinforcing Bracket

- Supplied as standard for use with A11 and A12 spring stop arms
- Provides additional support to the soffit plate on installations with door frame reveals from 1-7/8" to 4-5/8" (48 to 117mm)
- Not available in plated finishes

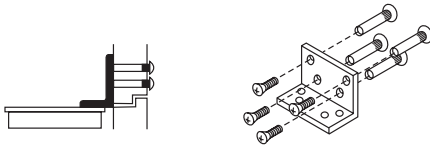
615F59



Deep Reveal Reinforcement Kit

- For use with A11 and A12 spring stop arms
- Used to support the soffit plate on installations with wide frames. Clamps may be used with or without the spacer block, depending on frame conditions
- Not available in plated finishes
- For frames deeper than 4-5/8" (117mm), specify closer x M103

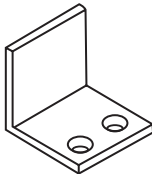
615F60



Flush Partition Bracket

- For use with A11 and A12 Unitrol® arms where rabbeted or flush transom conditions prevent installation of the soffit plate assembly
- Bracket fastens to the overhead transom to provide a mounting surface for the soffit plate assembly
- Specify closer x M104

447F14



Angle Support Bracket

- Available separately for mounting A2, A3, A4 and A5 heavy-duty arms on narrow frame or soffit conditions
- Specify closer x M85

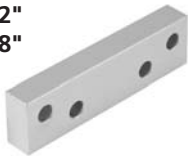
499F30



Flush Transom Bracket

- Available separately for mounting A2, A3, A4 and A5 heavy-duty arms on rabbeted or flush transom conditions
- Not available in plated finishes
- Specify closer x M79

597F92-1/2" 597F93-5/8"



Blade Stop Spacer*

- Specify closer x M77 (597F92)
- Specify closer x M78 (597F93)

*Not for use with A11 or A12 arms

Maximum Power



Normal Power



Power Adjustment Arm Bracket

- Standard on all closers without hold open, except heavy-duty and track type
- In regular arm or top jamb mounting, bracket may be reversed to increase closing power 15%

Specify finish when ordering parts.

Covers and Plates

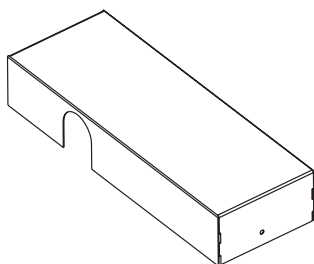
DC8000 Series

754F84



Full ABS Plastic Cover

- Standard on all DC8000 series door closers
- Completely covers closer body
- Non-handed
- Dimensions: 11-7/8" (302mm) x 4-3/16" (106mm) x 2-1/8" (54mm) deep
- Available in painted finishes only



Full Metal Cover

- For use in high-abuse applications
- Specify hand; not field reversible
- Available in painted and plated finishes
- Dimensions: 11-7/8" (302mm) x 4-1/4" (108mm) x 2-1/8" (54mm) deep

Part Numbers

RH/LHR	LH/RHR
754F22	754F23



Drop Plate

Permits parallel arm or top jamb mounting on door when top rail is too narrow to install closer in the regular manner. Minimum 2" (51mm) top rail required. To order separately, specify Part No. x Finish.

Closer Series	Drop Plate
DC8200	754F20
DC8200 (with concealed holder)	754F24
DC8210	754F25
DC8220	754F24
DC8230	754F20
DC8240	754F25

754F36



Retrofit Plate

For installation of Corbin Russwin DC8200 series closers where doors & frames have been prepared for the DC6200 series closers. To order with closers specify Closer x Quick Code.

To Replace DC6000 Model	Part Number	Quick Code
Regular Arm	754F36	M101G
Parallel Arm or Top Jamb	754F46	M101H

Quick Codes

DC8000 Series

Arm	Specify Quick Code
Regular non-hold open	(standard)
Hold open	A1*
Heavy-duty parallel with hold open	A2*
Heavy-duty parallel non-hold open	A3
Heavy-duty backstop non-hold open	A4
Heavy-duty backstop with hold open	A5*
Deep reveal (3-3/8" - 7-1/4")	A6
Deep reveal with hold open	A8*
Heavy-duty regular non-hold open	A10
Unitrol® non-hold open (specify door width)	A11
Unitrol with hold open (specify door width)	A12*
Push side track with hold open	A1*
Heavy-duty parallel with offset	A13
Heavy-duty friction hold open	A14*

***Hold open arms cannot be used on fire doors.**

Handing	Specify Quick Code
Left Hand/Right Hand Reverse	LH
Right Hand/Left Hand Reverse	RH

Blade Stop Spacer	Specify Quick Code
1/2"	M77
5/8"	M78

Door Width (A11 or A12 arms)	Specify Quick Code
28" - 32"	W28
33" - 41"	W33
42" - 48"	W42

Finishes

Old Designation	Description	Specify Quick Code
USP	Primed	600
US3	Bright Brass	605*
US4	Satin Brass	606*
US9	Bright Bronze	611*
US10	Satin Bronze	612*
N/A	Dark Oxidized Satin Bronze, Equivalent	613E
US26	Bright Chromium Plated	625*
US26D	Satin Chromium Plated	626*
SBL	Silver Aluminum	689
LBL	Dark Bronze	690
DBL	Light Bronze	691
FBL	Black	693
GBL	Satin Brass	696
BSP	Black Suede Powder Coat	BSP
WSP	White Suede Powder Coat	WSP

*Metal cover is required for these finishes.

For split finish on closer cover and arm, specify cover finish first, then arm finish. (e.g., DC6200 x 625 x 689).

Door Thickness	Specify Quick Code
1-3/4" (44mm)	(standard)
2" (51mm)	D200
2-1/4" (57mm)	D214

Quick Codes

DC8000 Series

Miscellaneous Options

Description	Specify Quick Code
Security Torx® machine screws	M04
Sex nuts and bolts (SNBs) (1-3/4" minimum thickness)	M54
Backcheck intensity valve	(standard)
Delayed action	M71
ABS plastic cover	(standard)
Full metal cover (Handed)	M73
Extreme temperature fluid	(standard)
Corrosion protection	M75
Drop plates - order by number	
Closer Series	Drop Plate Full Cover
DC8200 (Regular)	754F20
DC8200 (with concealed holder)	754F24
DC8210 (Parallel)	754F25
DC8220 (Top Jamb)	754F24
DC8230 (Pull Side)	754F20
DC8240 (Push Side)	754F25
Heavy-duty parallel arm flush transom bracket (499F30) used with all parallel arms except the Unitrol®	M79
Parallel arm flush transom bracket (parallel or A1)	M82
Parallel arm offset bracket	M83
Mortise arm bracket (for regular arm mounting)	M84
Angle support bracket	M85
Spacer (691F78) (formerly M86 quick code)	(standard)
Security package (available with A2, A3, A4, A5, A10 & A13 optional arms). Covers are handed.	M87
DC6000 retrofit plate (754F36)	M101G
DC6000 retrofit plate (754F46)	M101H
Deep reveal reinforcement kit	M103
Flush partition (used with <i>Unitrol</i> arm)	M104
Lead-lined cover	M108