

DC6000 Series

Door Closers

Product Catalog

Experience a safer
and more open world

Features

DC6000

DC6200 - Multi-Sized DC6400 - Sizes 1-6, half size adjustable

Features

Spring Power

DC6200 closers: multi-sized; fully adjustable sizes 1 through 6.
DC6400 closers: sizes 1 through 6; half-size adjustability.
For recommended sizes, see page 14.

Handing

Non-handed (with the exception of some arms and accessories).

Body

Cast-iron case with seamless cold headed steel spring tube.

Arm

Standard: forged steel.
Arm options pages 8-10.

Spindle

Heat-treated steel with a crowned gear set for increased efficiency.

Piston

1-3/8" diameter; precision machined, heat-treated steel.

Springs

Chrome silicon wire.

Valves

Latching speed valve standard.

Closing speed valve standard.

Multiple backcheck location valve and backcheck intensity valve standard.

Delayed action valve optional. Delayed action preset for 20 seconds. Between 90° and 70° for all mountings. To order specify M71.

Seals

"O" rings.

Fluid

Standard: high lubricity extreme temperature hydraulic fluid.

Degree of Opening

Up to full 180° opening standard for regular, top jamb and parallel arm mountings, conditions permitting.

Power Adjustment Arm Bracket

15% adjustment standard.

Cover

Standard: plastic V-O flame rated cover.
Optional: full metal cover; specify M73 x hand.

Mountings

Standard: regular or top jamb.
Parallel arm or tri-style packaging: specify DC6210 or DC6410.
Optional mountings available; see Mountings, page 6.

Mounting Bracket

Quik-Install™ mounting bracket standard.

Fasteners

Standard: self-drilling screws.
Optional: sex nuts and bolts (SNBs); specify M54.

Corrosion Protection

Painted protective coating on all metal surfaces for use in corrosive environments.

Security Package

Includes heavy-duty parallel or regular arm, full metal cover and security Torx® machine screws. Specify M87 x arm x hand. See pages 8-12 for arm options.

Warranty

25-year limited warranty. Refer to Corbin Russwin price book for details.

Finishes

Specify	Description
600 (USP)	Primed
BHMA 605 (US3)*	Bright Brass
BHMA 606 (US4)*	Satin Brass
BHMA 611 (US9)*	Bright Bronze
BHMA 612 (US10)*	Satin Bronze
613E	Dark Oxidized Satin Bronze, Equivalent
BHMA 625 (US26)*	Bright Chromium Plated
BHMA 626 (US26D)*	Satin Chromium Plated
689 (SBL)	Silver Aluminum
690 (LBL)	Dark Bronze
691 (DBL)	Light Bronze
693 (FBL)	Black
696 (GBL)	Satin Brass
BSP	Black Suede Powder Coat
WSP	White Suede Powder Coat

*Metal cover is required for these finishes.

For split finish on closer cover and arm, specify cover finish first, then arm finish. (e.g., DC6200 x 625 x 689).

Certification/Compliance



Barrier-Free Code Compliance

The DC6000 Series Door Closers listed below conform to the 5 lbf. maximum door opening force requirement for non-fire-rated interior hinged doors, according to:

Americans with Disabilities Act (ADA)

Complies with the Accessibility Guidelines for Buildings and Facilities, Section 4.13.11

ANSI/BHMA

Meets A156.4, Grade 1.
Meets A117.1.

DC6200	DC6412
DC6210	DC6421
DC6220	DC6401
DC6411	

These door closers are certified by Corbin Russwin Architectural Hardware to comply with the above standards when properly installed and (if applicable) adjusted, in regular arm, parallel arm and top jamb mountings.

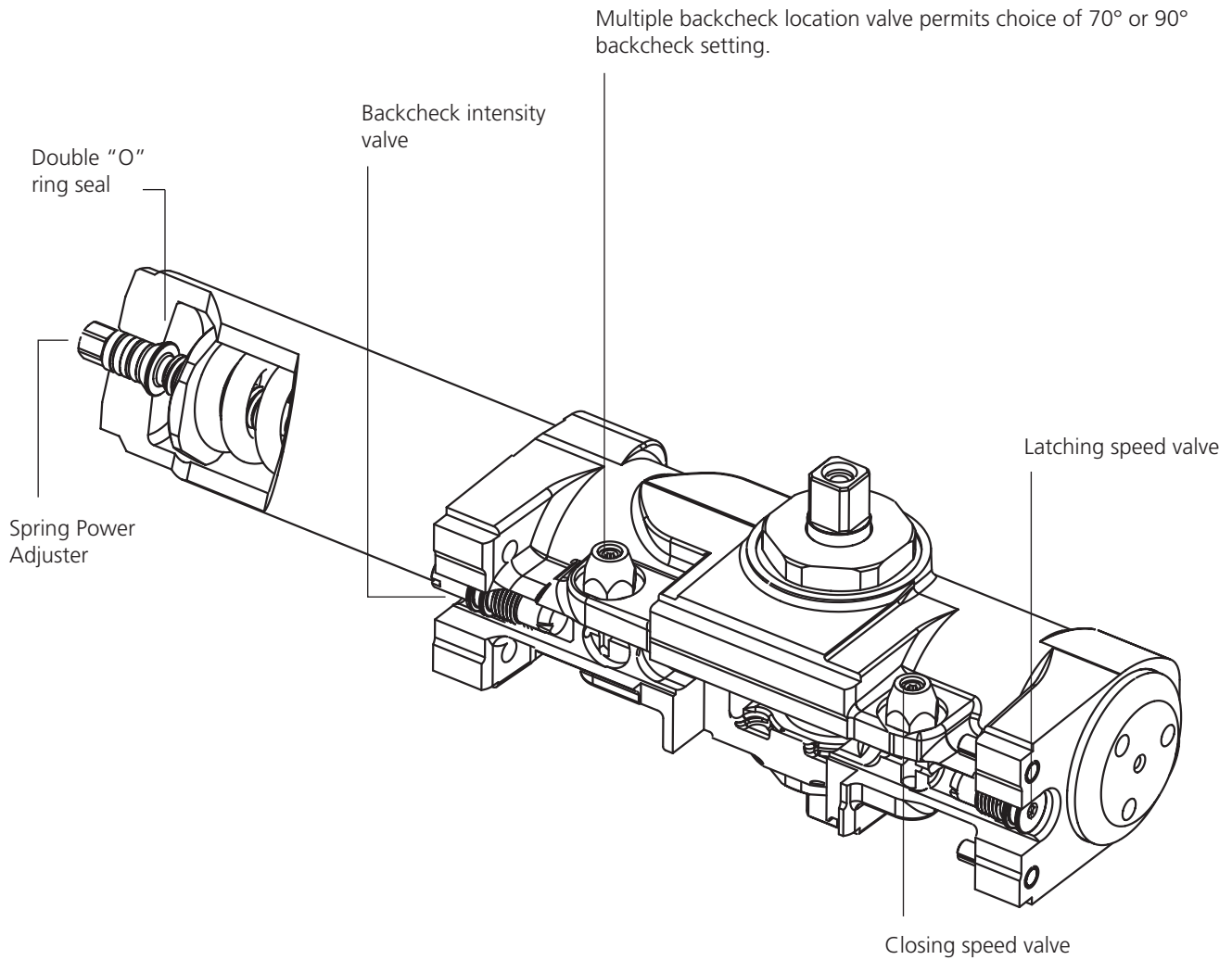
UL / ULC / UL10c

Listed for fire and cycle requirements.

15 Million Cycles

Witnessed and verified by UL

DC6200 - Multi-Sized
DC6400 - Sizes 1-6, half-size adjustable



Quik-Install™ mounting bracket included, see p11

Mountings and Applications

DC6000 Series



Regular Arm Mounting DC6200, DC6400 Series

Most common mounting, providing the greatest closing efficiency. Closer is mounted on the pull side, with the arm almost perpendicular to the face of the door. Arm bracket is attached to the door frame.



Parallel Arm Mounting DC6210, DC6410 Series

Allows inside application of closer on out-swinging doors. Closer is mounted on the push side, with the arm almost parallel to the face of the door. Arm does not project from the opening.



Top Jamb Mounting DC6220, DC6420 Series

Closer is mounted on the frame on the push side, with the arm perpendicular to the face of the door. Arm bracket is mounted on the door. Minimum 1-3/4" (44mm) top jamb required. Accommodates reveals up to 3-1/4" (83mm).



Track Mounting DC6230, DC6430 Series

Closer is top jamb mounted on the pull side; arm is connected to a door-mounted track. Maximum degree of opening is 110°. Maximum closing power is size 4. Minimum 3" (76mm) frame face required.

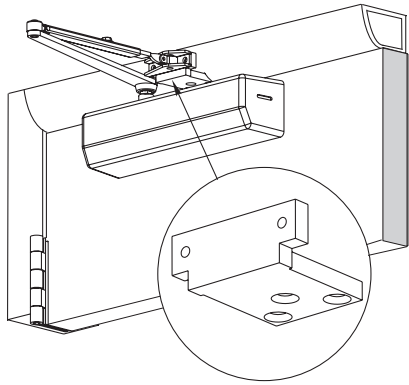


Track Mounting DC6240, DC6440 Series

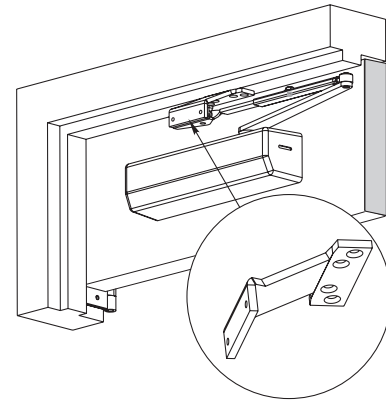
Closer is mounted on push side of door; arm is connected to a stop-mounted track. Maximum degree of opening is 110°. Maximum closing power - size 4.

Mountings

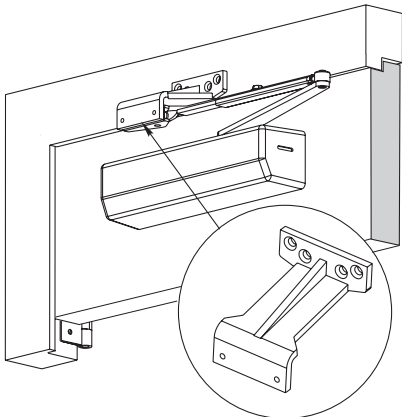
DC6000 Series



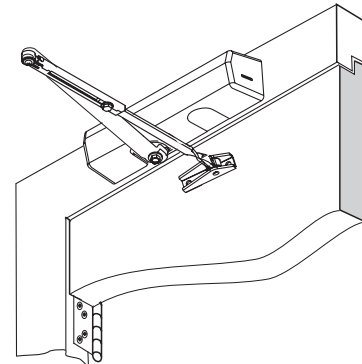
Regular Arm Mounting with Mortise Arm Bracket
Used on inadequately reinforced frames, such as those with bull nose trims.



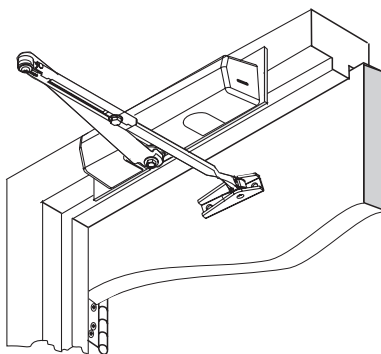
Parallel Arm with Offset Angle Bracket Mounting
Allows parallel arm mounting when used with an overhead door holder.



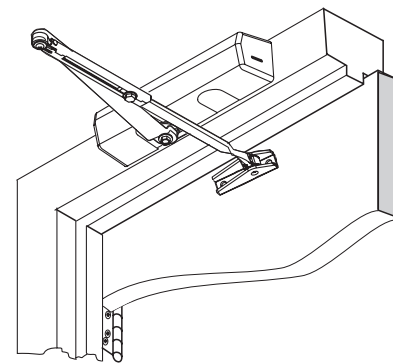
Parallel Arm Mounting with Flush Transom Bracket
Allows parallel arm mounting on flush transom applications.



Top Jamb Flush Transom Mounting
Closer is top jamb mounted on the push side; arm is attached to the door.



Narrow Frame Mounting
For use when the frame is too narrow for a normal top jamb or top jamb track mounting. (Shown with 188F65 drop plate)

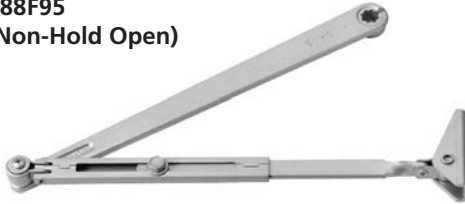


Top Jamb Deep Reveal Mounting
For reveals greater than 3-1/4" (83mm), up to 7-1/4" (184mm).

Arm Options

DC6000

**688F95
(Non-Hold Open)**



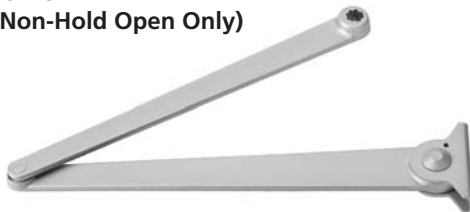
**688F77
(Hold Open)**



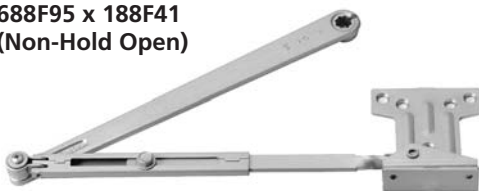
**691F72
(Non-Hold Open)**



**597F52
(Non-Hold Open Only)**



**688F95 x 188F41
(Non-Hold Open)**



**688F77 x 509F49
(Hold Open)**



Regular Arm

- Used with regular arm (pull side) and top jamb (push side) mounting
- Available in painted or plated finishes
- Non-hold open arm standard on the DC6200 and DC6400 closers
- Hold open arm optional, specify closer x **A1***

Deep Reveal Arm (3-3/8" (86mm) - 7-1/4" (184mm))

- Accommodates top jamb mounting for reveals up to 7-1/4" (184mm), depending on door and frame conditions
- Mounted on push side
- Available in painted or plated finishes
- Optional on DC6220 and DC6420 closers
- Non-hold open, specify closer x **A6**
- Hold open, specify closer x **A8***

Non-Hold Open	691F72
Hold Open	691F74

Heavy-Duty Regular Arm

- Recommended for high-use, high-abuse environments
- Tamper-resistant, solid forged steel riveted arm
- Mounted on pull side
- Not available in plated finishes
- Optional on DC6200 and DC6400 closers, specify closer x **A10**

Parallel Arm

- Mounted on push side
- Non-hold open arm – combines regular arm with parallel arm mounting bracket
- Available in painted or plated finishes
- Hold open arm – combines regular hold-open arm with parallel arm mounting bracket
- Non-hold open arm standard – order DC6210 or DC6410 series
- Hold open arm optional, specify closer x **A1***

Specify finish when ordering arms. *Not allowed by code on fire doors.

**689F02
(Non-Hold Open)**



**689F01
(Hold Open)**



**689F03
(Non-Hold Open)**



**689F04
(Hold Open)**



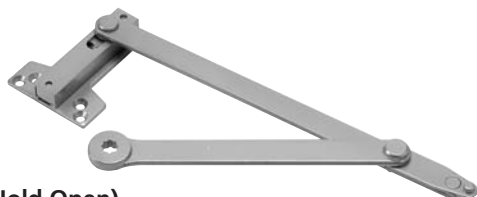
Heavy-Duty Parallel Arm

- Recommended for high-use, high-abuse environments
- Tamper-resistant, solid forged steel riveted arm
- Mounted on push side
- Not available in plated finishes
- Optional on DC6210 and DC6410 closers
- Non-hold open arm, specify closer x **A3**
- Hold open arm, specify closer x **A2***. Hold-open range 85° to 110°
- For use with overhead stops, specify closer x **A13** (see page 10)

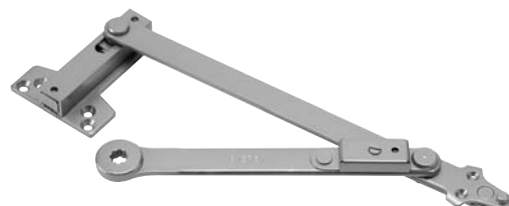
Heavy-Duty Reversible Backstop Parallel Arm

- Recommended for high-use, high-abuse environments
- Tamper-resistant, solid forged steel riveted arm
- Mounted on push side
- Not available in plated finishes
- Optional on DC6210 and DC6410 closers
- Field-reversible steel lug restricts degree of opening to protect door, wall and hardware
- Shipped standard as left hand. Handing can be reversed in the field
- Non-hold open arm, specify closer x **A4**. Door stop range 85° to 110°
- Hold open arm, specify closer x **A5***. Door stop/hold open range 85° to 110°

(Non-Hold Open)



(Hold Open)



Heavy-Duty Spring Stop Parallel Arm

- Recommended for high-use, high-abuse environments
- Integrates a door closer, shock absorber and auxiliary heavy-duty overhead stop
- Not available in plated finishes
- Hold open*
 - Holder mechanism tension adjustable
 - Hold open can be engaged/disengaged with a 1/4 turn of the mechanism with a standard blade type screwdriver
- Optional on DC6210 and DC6410 closers
- Non-hold open arm, specify closer x **A11 x door width**. Door stop range 85° to 110°.
- Hold open arm, specify closer x **A12* x door width**. Door stop/hold open range 85° to 110°.

Refer to page 12 for bracket information

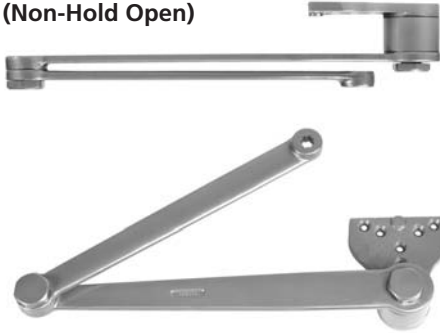
Specify finish when ordering arms.
*Not allowed by code on fire doors.

Door Width	Model Number	
	Non-Hold Open	Hold Open
28" - 32" (71cm - 81cm)	615F52	615F51
33" - 41" (84cm - 104cm)	615F54	615F53
42" - 48" (107cm - 122cm)	615F56	615F55

Arms and Brackets

DC6000

691F96
(Non-Hold Open)



Heavy-Duty Extra Clearance Parallel Arm

- Recommended for high-use, high-abuse environments
- Provides additional vertical clearance
- Mounted on push side
- Not available in plated finishes
- Optional on DC6210 and DC6410 closers
- Non-hold open arm only, specify closer x **A13**

Standard Clearance	Closer	With Spacer	Quick Code	Total Clearance
1-3/4"	DC6210	597F92	M77	2-1/4"
		597F93	M78	2-3/8"



Heavy-Duty Parallel Hold Open Arm

- Recommended for high-use, high-abuse environment
- Requires auxiliary stop (by others)
- Handed
- Mounted on push side
- Not available in plated finishes
- Allows door to swing 180°, conditions permitting
- Optional on DC6210 and DC6410 closers
- Hold open arm, specify closer x **A14***

Part Number	Handing
692F04	Right Hand
692F05	Left Hand

754F44 Shown



Pull Side Track Arm

- Provides a clean aesthetic look with maximum 110° door swing and a minimum door width of 28" (71cm)
- Mounted on pull side
- Not available in plated finishes
- Non-hold open standard on DC6230 or DC6430 closers
- Hold open, specify closer x **A1***
- Hold open function can be turned on or off using a standard blade screw driver
- Stop/Hold open can be set for 85°, 90°, 95°, or 100°

	Track and Arm	Track Only	Arm Only
Non-Hold Open	754F44	754F09	754F16
Hold Open	754F45	754F10	

754F13 Shown



Push Side Track Arm

- Clean aesthetic look for doors opening a maximum of 110° and a minimum door width of 32" (81cm)
- Mounted on push side
- Not available in plated finishes
- Non-hold open standard on DC6240 and DC6440 closers. For hold open, specify closer x **A1***
- Stop/hold open can be set for 85°, 90°, 95° or 100°
- Hold open function can be turned on or off using a standard blade screw driver

	Track and Arm	Track Only	Arm Only
Non-Hold Open	754F12	754F14	754F16
Hold Open	754F13	754F15	

Specify finish when ordering arms or tracks.
*Not allowed by code on fire doors.

188F03



Quik-Install™ Mounting Bracket

- Standard on all closers
- Reduces installation time
- Ensures correct mounting
- Bracket is first mounted to door or frame, then closer is attached
- Bracket size: 1-3/4" (44mm) (vertical) x 6" (152mm) (horizontal)
- Hole spacing: 1" (25mm) (vertical) x 4-5/16" (110mm) (horizontal)

244F17



Mortise Arm Bracket for Regular Arm Mounting

- For regular arm mounting where frame requires reinforcement, i.e., on frames with bull nose trim
- Not available in plated finishes
- Specify closer x M84

188F41



Parallel Arm Non-Hold Open Bracket

- Converts regular arm to parallel arm closer
- Standard with DC6210 and DC6410 closers
- Packed with five screws and 691F78 spacer

509F49



Parallel Arm Hold Open Bracket

- Converts regular arm hold open to parallel arm hold open closer
- Standard with DC6210 x A1 or DC6410 x A1 closer

188F62



Parallel Arm Offset Bracket

- Required when parallel arm is used in conjunction with an overhead door holder
- Specify DC6210 x M83 or DC6410 x M83 closer

188F63



Parallel Arm Flush Transom Bracket

- Required when parallel arm mounting is used on a flush transom application
- Not available in plated finishes
- Specify DC6210 x M82 or DC6410 x M82 closer

Specify finish when ordering parts.

Brackets

DC6000

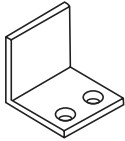
499F30



Flush Transom Bracket

- Available separately for mounting A2, A3, A4, A5, A13 and A14 heavy-duty arms on rabbeted or flush transom conditions
- Not available in plated finishes
- Specify closer x M79

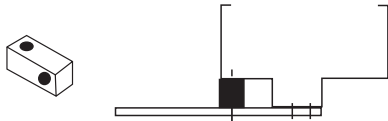
447F14



Angle Support Bracket

- Available separately for mounting A2, A3, A4, A5, A13 & A14 heavy-duty arms on narrow frame or soffit conditions
- Specify DC6210 x M85 or DC6410 x M85 closer

691F78



Spacer Block

- For use where a narrow frame soffit does not provide adequate surface to support the fifth arm bracket mounting hole
- Supplied standard with DC6210 and DC6410 non-hold open closers with A2, A3, A4, A5, A13 and A14 heavy-duty parallel arms

597F92 (1/2")
597F93 (5/8")



Blade Stop Spacer

- Available for use with A2, A3, A4, A5, A13 & A14 heavy-duty arms.
- Specify closer x M77 (597F92)
- Specify closer x M78 (597F93)

Maximum
Power



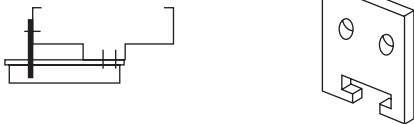
Normal
Power



Power Adjustment Arm Bracket

- Standard on all closers without hold open, except heavy-duty and track type
- In regular arm or top jamb mounting, bracket may be reversed to increase closing power 15%

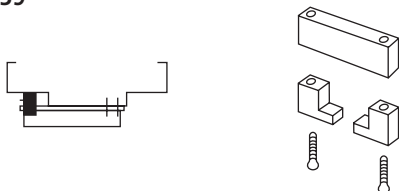
615F58



Reinforcing Bracket

- Supplied as standard for use with A11 and A12 spring stop arms
- Provides additional support to the soffit plate on installations with door frame reveals from 1-7/8" to 4-5/8" (48 to 117mm)
- Not available in plated finishes

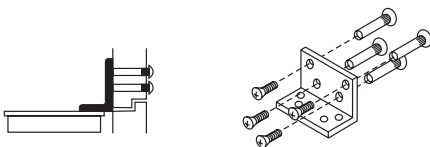
615F59



Deep Reveal Reinforcement Kit

- For use with A11 and A12 spring stop arms
- Used to support the soffit plate on installations with deep frames. Clamps may be used with or without the spacer block, depending on frame conditions
- Not available in plated finishes
- For frames deeper than 4-5/8" (117mm), specify closer x M103

615F60



Flush Partition Bracket

- For use with A11 and A12 spring stop arms where rabbeted or flush transom conditions prevent installation of the soffit plate assembly
- Bracket fastens to the overhead transom to provide a mounting surface for the soffit plate assembly
- Specify DC6210 x M104 or DC6410 x M104 closer

Specify finish when ordering parts.

597F78



Full Cover

- Standard on all DC6000 series door closers
- Completely covers closer body
- Non-handed
- Dimensions: 11-5/8" (295mm) x 3" (76mm) x 2-3/4" (70mm) deep
- Available in painted finishes only
- Flame rated V-O material compliant with UL10C



Full Metal Cover

- For use in high-abuse applications or when an architectural plated finish is desired
- Specify hand; not field reversible
- Available in painted and plated finishes
- Dimensions: 11-1/2" (292mm) x 2-7/8" (73mm) x 2-3/4" (70mm) deep

Part Number	Handing
603F55	RH/LHR
603F57	LH/RHR



Drop Plate

Permits parallel arm mounting on door when top rail is too narrow to install closer in the regular manner. Minimum 2-5/8" (67mm) top rail required. Jamb mounted where there is insufficient ceiling clearance for standard mounting or where it is necessary to allow vertical arm clearance for overhead door holders or frame gasketing. To order separately, specify Part No. x Finish.

Closer Series	Drop Plate
	With Full Cover
DC6210, DC6410	597F58
DC6220, DC6420	188F65
DC6240, DC6440	597F58

Quick Codes

DC6000

Arm

Arm	Specify Quick Code
Regular non-hold open	(standard)
Hold open	A1*
Heavy-duty parallel with hold open	A2*
Heavy-duty parallel non-hold open	A3
Heavy-duty backstop non-hold open	A4
Heavy-duty backstop with hold open	A5*
Deep reveal (3-3/8" -7-1/4")	A6
Deep reveal with hold open	A8*
Heavy-duty regular non-hold open	A10
Spring stop non-hold open (specify door width)	A11
Spring stop heavy-duty with hold open (specify door width)	A12*
Heavy-duty parallel arm with extra clearance	A13
Heavy-duty friction hold open arm (specify hand)	A14*
Push side track with hold open	A1*

***Hold open arms cannot be used on fire doors.**

Handing

Hand	Specify
Left Hand/Right Hand Reverse	LH
Right Hand/Left Hand Reverse	RH

Blade Stop

Spacer	Specify Quick Code
1/2"	M77
5/8"	M78

Torx® Tool Kit Package

Description	Specify
Bits and driver	597F24

Finish

Old Designation	Description	Specify Quick Code
USP	Primed	600
US3	Bright Brass	605*
US4	Satin Brass	606*
US9	Bright Bronze	611*
US10	Satin Bronze	612*
N/A	Dark Oxidized Satin Bronze, Equivalent	613E
US26	Bright Chromium Plated	625*
US26D	Satin Chromium Plated	626*
SBL	Silver Aluminum	689
LBL	Dark Bronze	690
DBL	Light Bronze	691
FBL	Black	693
GBL	Satin Brass	696
BSP	Black Suede Powder Coat	BSP
WSP	White Suede Powder Coat	WSP

*Metal cover is required for these finishes.

For split finish on closer cover and arm, specify cover finish first, then arm finish. (e.g., DC6200 x 625 x 689).

Door Thickness

Door Thickness	Specify
1-3/4" (44mm)	(standard)
2" (51mm)	D200
2-1/4" (57mm)	D214

Miscellaneous Options

Description		Specify Quick Code
Torx® machine screws		M04
Sex nuts and bolts (SNBs) (1-3/4" minimum thickness)		M54
Backcheck intensity and location valves		(standard)
Delayed action		M71
Full cover		(standard)
Full metal cover (Handed)		M73
Extreme temperature fluid		(standard)
Corrosion protection		M75
1/2" spacer		M77
5/8" spacer		M78
Drop plates - order by number (formerly M80, M81 and M102 quick codes)		
Closer Series	Old Quick Ship #	Drop Plate With Full Cover
DC6210, DC6410 (Parallel)	M80	597F58
DC6220, DC6420 (Top Jamb)	M80	188F65
DC6230, DC6430 (Pull Side)	M81	597F59
DC6240, DC6440 (Push Side)	M102	597F59
Heavy-duty parallel arm flush transom bracket (499F30) used with A2, A3, A4, A5, A13 & A14 arms		M79
Parallel arm flush transom bracket (parallel or A1)		M82
Parallel arm offset bracket		M83
Mortise arm bracket (for regular arm mounting)		M84
Angle support bracket		M85
Spacer (691F78) (formerly M86 quick code)		(standard)
Security package (available with A2, A3, A4, A5 and A10 optional arms). Covers are handed.		M87
Deep reveal reinforcement kit (available with A11 & A12 arms)		M103
Flush partition bracket (available with A11 & A12 arms)		M104
Lead-lined metal cover		M108