

**Corbin
Russwin** 
ASSA ABLOY



DC3000 Series Door Closers

Product Catalog

Experience a safer
and more open world

Overview

DC3000 Series

Overview of Features

| Features | DC3200 Closers |
|---------------------------|-----------------------------|
| Spring power | Multi-sized; Adjustable 1-6 |
| Latching speed valve | Standard |
| Closing speed valve | Standard |
| Backcheck intensity valve | Standard |
| Delayed action valve | Optional |
| Parallel arm mounting | Optional |
| Top jamb mounting | Optional |
| Hold open | Optional |
| Sex nuts and bolts (SNBs) | Optional |
| Corrosion protection | Optional |
| Full cover | Standard |
| 15-year warranty | Standard |
| Heavy-duty regular arm | Optional |
| Heavy-duty parallel arm | Optional |
| Backstop arm | Optional |

| Finishes | | |
|-----------------|---|---------|
| Old Designation | Description | Specify |
| USP | Primed | 600 |
| N/A | Dark Oxidized Satin Bronze - equivalent | 613E |
| SBL | Silver Aluminum | 689 |
| LBL | Dark Bronze | 690 |
| DBL | Light Bronze | 691 |
| FBL | Black | 693 |
| GBL | Satin Brass | 696 |
| N/A | Black Suede Powder Coat | BSP |
| N/A | White Suede Powder Coat | WSP |

Features

DC3000 Series

Features

Spring Power

Multi-sized; fully adjustable 1 through 6.

Handing

Non-handed.

Body

Cast iron case with seamless cold-headed steel spring tube.

Arm

Standard: forged steel. Optional arms, pages 7 and 8.

Spindle

Cold-headed heat-treated steel.

Piston

1-3/8" diameter; Precision machined, heat-treated steel.

Springs

Chrome silicon wire.

Valves

Latching speed, closing speed and backcheck intensity valves standard. Delayed action valve optional (preset for 20 seconds; between 90° and 70° for all mountings.) To order, specify M71.

Seals

"O" rings.

Fluid

Standard high lubricity extreme temperature hydraulic fluid.

Degree of Opening

Up to full 180° opening standard for regular, top jamb and parallel arm mountings, conditions permitting.

Power Adjustment Arm Bracket

15% adjustment standard.

Cover

Non-metallic full cover.

Mountings

Standard: regular arm and top jamb. Parallel arm or tri-style packaging - specify DC3210
Optional mountings; see page 6.

Mounting Bracket

Quik-Install™ mounting bracket standard.

Fasteners

Standard: self-drilling screws.
Optional: sex nuts and bolts (SNBs); Specify M54.

Corrosion Protection

Painted protective coating on all metal surfaces for use in corrosive environments. Specify M75.

Warranty

15-year limited warranty. Refer to Corbin Russwin price book for details.

Certification/Compliance



Barrier-Free Code Compliance

The DC3000 Series Door Closers listed below conform to the 5 lbf. maximum door opening force requirement for non-fire-rated interior hinged doors, according to:

Americans with Disabilities Act (ADA)

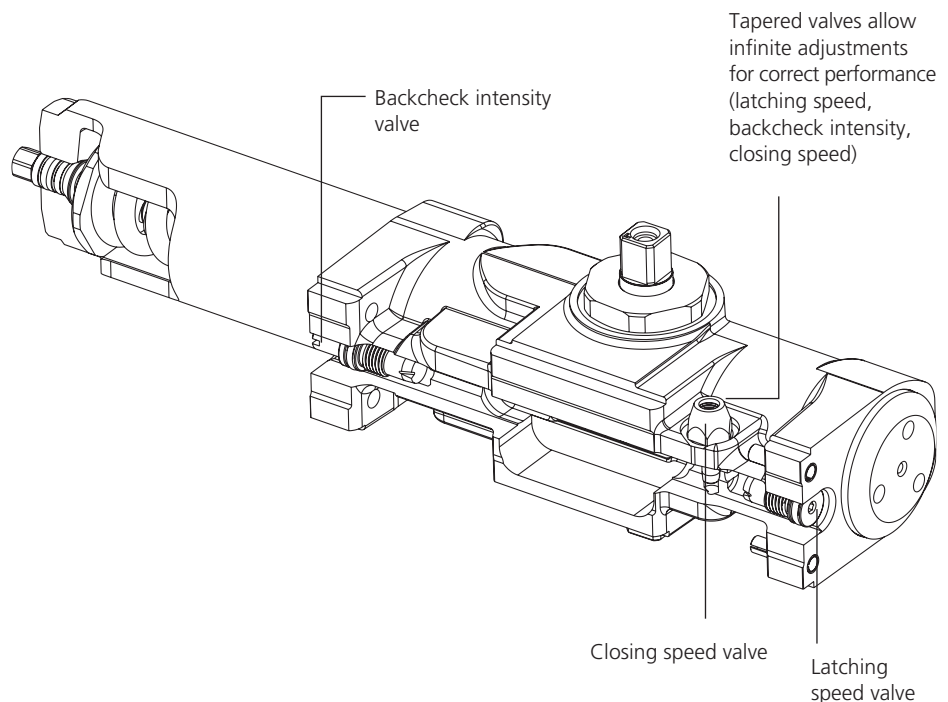
Complies with the Accessibility Guidelines for Buildings and Facilities, Section 4.13.11.

ANSI/BHMA Certified

A156.4, Grade 1.
A117.1.

UL / ULC / UL10C

Listed for fire and cycle requirements.



Mountings

DC3000 Series



DC3200 Regular Arm Mounting

- Most common mounting, providing the greatest closing efficiency
- Closer is mounted on the pull side, with the arm perpendicular to the face of the door
- Arm bracket is attached to the door frame



DC3210 Parallel Arm Mounting

- Allows inside application of closer on out-swinging doors
- Closer is mounted on the push side, with the arm parallel to the face of the door
- Arm does not project from the opening

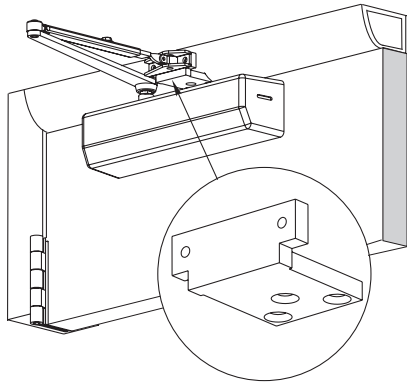


DC3220 Top Jamb Mounting

- Accommodates reveals up to 3-1/4" (83mm)
- Closer is mounted on the push side, with the arm perpendicular to the face of the door
- Arm bracket is mounted on the door
- Minimum 1-3/4" (44mm) top jamb required

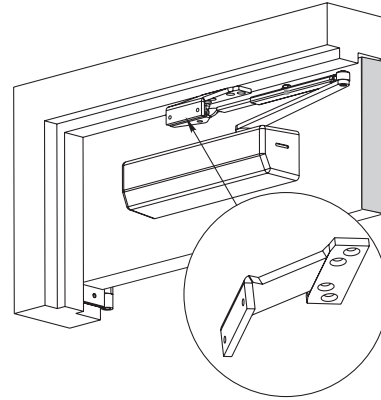
Mountings

DC3000 Series



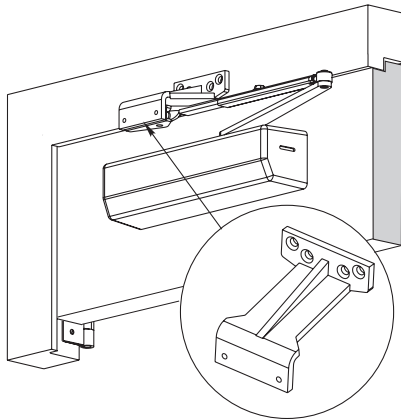
Regular Arm Mounting with Mortise Arm Bracket

Used on inadequately reinforced frames, such as those with bull nose trims.



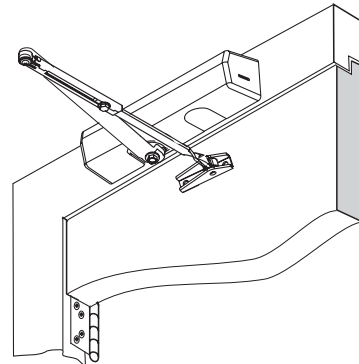
Parallel Arm with Offset Angle Bracket Mounting

Allows parallel arm mounting when used with an overhead door holder.



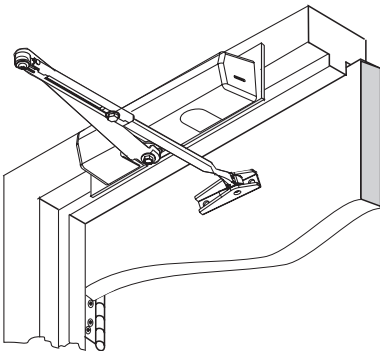
Parallel Arm Mounting with Flush Transom Bracket

Allows parallel arm mounting on flush transom applications.



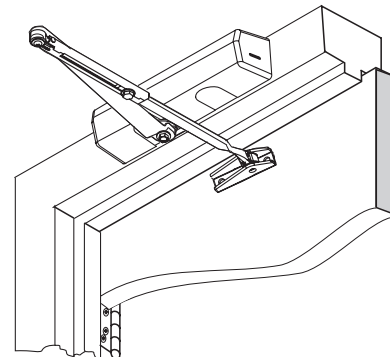
Top Jamb Flush Transom Mounting

Closer is top jamb mounted on the push side; arm is attached to the door.



Narrow Frame Mounting

For use when the frame is too narrow for a normal top jamb or top jamb track mounting. (Shown with 188F65 drop plate)



Top Jamb Deep Reveal Mounting

For reveals greater than 3-1/4" (83mm), up to 7-1/4" (184mm).

Door Closer Arms

DC3000 Series

**688F95
(Non-Hold Open)**



Regular Arm

- Used with regular arm mounting (pull side) and top jamb mounting (push side)
- Non-Hold Open arm standard on the DC3200
- Hold Open arm optional, specify closer x **A1***

**688F77
(Hold-Open)**



**597F52
(Non-Hold Open)**



Heavy-Duty Regular Arm

- Recommended for high-use, high-abuse environments
- Tamper-resistant, solid forged steel riveted arm
- Mounted on pull side
- Optional on DC3200 closer, specify closer x **A10**

**688F95 x 188F41
(Non-Hold Open)**



Parallel Arm

- Mounted on push side
- Non-Hold Open arm combines regular arm with parallel arm mounting bracket
- Hold Open arm combines regular hold open arm with parallel arm mounting bracket
- Non-Hold Open arm standard on the DC3210
- Hold Open arm optional, specify closer x **A1***

**688F77 x 509F49
(Hold Open)**

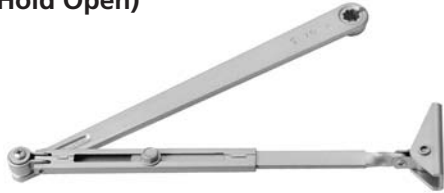


***Not allowed by code on fire doors.**

Door Closer Arms

DC3000 Series

688F95 (Non-Hold Open)



Top Jamb

- Used with top jamb mounting (push side); for reveals up to 3-3/4" (95 mm)
- Non-Hold Open arm standard on the DC3220
- Hold Open arm optional, specify closer x **A1***

688F77 (Hold Open)



689F02 (Non-Hold Open)



Heavy-Duty Parallel Arm

- Recommended for high-use, high-abuse environments
- Tamper-resistant, solid forged steel riveted arm
- Mounted on push side
- Optional on DC3210 closers
- Non-hold open arm, specify closer x **A3**
- Hold open arm, specify closer x **A2***. Hold-open range 85° to 110°

689F01 (Hold Open)



689F03 (Non-Hold Open)



Heavy-Duty Reversible Backstop Parallel Arm

- Recommended for high-use, high-abuse environments
- Tamper-resistant, solid forged steel riveted arm (mounted on push side)
- Field-reversible steel lug restricts degree of opening to protect door, wall and hardware
- Requires both backcheck valves on closer
- Shipped standard as left hand. Handing can be reversed in the field
- Optional on DC3210 closers
- Non-hold open arm, specify closer x **A4**. Door stop range 85° to 110°
- Hold open arm, specify closer x **A5***. Door stop/hold open range 85° to 110°

689F04 (Hold Open)



***Not allowed by code on fire doors.**

Mounting Brackets

DC3000 Series

188F03



Quik-Install™ Mounting Bracket

- Standard on all closers
- Reduces installation time
- Ensures correct mounting
- Bracket is first mounted to door or frame, then closer is attached
- Bracket size: 1-3/4" (44mm) (vertical) x 6" (152mm) (horizontal)
- Hole spacing: 1" (25mm) (vertical) x 4-5/16" (110mm) (horizontal)

244F17



Mortise Arm Bracket for Regular Arm Mounting

- For regular arm mounting where frame requires reinforcement, i.e., on frames with bull nose trim
- Specify closer x M84

188F41



Parallel Arm Non-Hold Open Bracket

- Converts regular arm to parallel arm closer
- Standard with parallel arm mounting
- Packed with five screws and 691F78 spacer

509F49



Parallel Arm Hold Open Bracket

- Converts regular arm hold open to parallel arm hold open closer
- Standard with parallel arm hold open mounting

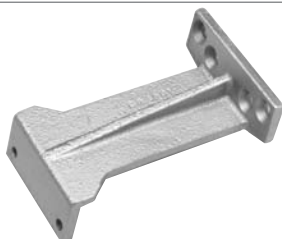
188F62



Parallel Arm Offset Bracket

- Required when parallel arm is used in conjunction with an overhead door holder
- Specify closer x M83

188F63



Parallel Arm Flush Transom Bracket

- Required when parallel arm mounting is used on a flush transom application
- Specify closer x M82

Specify finish when ordering parts.

Brackets and Covers

DC3000 Series



Drop Plate (Option M80)

Permits parallel arm or top jamb mounting on door when top rail is too narrow to install closer in the regular manner. Minimum 2" top rail required. Optional on DC3000 series closers; see Quick Codes, page 13. To order separately, specify drop plate number x Finish

| Closer Series | Drop Plates |
|---------------|-------------|
| | Full Cover |
| DC3210 | 597F58 |
| DC3220 | 188F65 |

Maximum Power



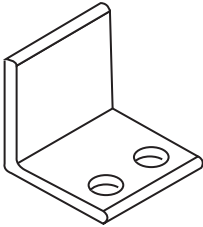
Normal Power



Power Adjustment Arm Bracket

Standard on all closers without hold open. In regular arm or top jamb mounting, bracket may be reversed to increase closing power 15%.

447F14



Angle Support Bracket and Spacer

- Available separately for mounting of A2, A3, A4 and A5 heavy-duty arms on narrow frame or soffit conditions
- Specify closer x M85

597F78



Full Cover

- Standard on all DC3000 series door closers
- Completely covers closer body
- Non-handed
- Dimensions: 11-5/8" (295mm) x 3" (76mm) x 2-3/4" (70mm) deep

Quick Codes

DC3000 Series

| Series/Mounting/Size | | |
|--|--------------|---------|
| Description | Mounting | Specify |
| DC3200 Closers Multi-sized; full adjustability from size 1-6 | Regular Arm | DC3200 |
| | Parallel Arm | DC3210 |
| | Top Jamb | DC3220 |

| Arm | |
|------------------------------------|------------|
| Description | Specify |
| Regular non-hold open | (standard) |
| Hold open | A1* |
| Heavy-duty parallel with hold open | A2* |
| Heavy-duty parallel non-hold open | A3 |
| Heavy-duty backstop non-hold open | A4 |
| Heavy-duty backstop with hold open | A5* |
| Heavy-duty regular non-hold open | A10 |

* Hold Open arms cannot be used on fire doors.

| Handing | |
|------------------------------|---------|
| Hand | Specify |
| Right Hand/Left Hand Reverse | RH |
| Left Hand/Right Hand Reverse | LH |

| Finish | | |
|-------------|---|---------|
| Description | | Specify |
| USP | Primed for Painting | 600 |
| N/A | Dark Oxidized Satin Bronze - equivalent | 613E |
| SBL | Silver Aluminum Painted | 689 |
| LBL | Dark Bronze Painted | 690 |
| DBL | Light Bronze Painted | 691 |
| FBL | Black Painted | 693 |
| GBL | Satin Brass Painted | 696 |
| BSP | Black Suede Powder Coat | BSP |
| WSP | White Suede Powder Coat | WSP |

| Door Thickness | |
|----------------|------------|
| Door Thickness | Specify |
| 1-3/4" (44mm) | (standard) |
| 2" (51mm) | D200 |
| 2-1/4" (57mm) | D214 |

| Miscellaneous Options | |
|--|------------|
| Description | Specify |
| Sex nuts and bolts (SNBs) (1-3/4" minimum thickness) | M54 |
| Delayed action | M71 |
| Full cover | (standard) |
| Corrosion protection | M75 |
| Heavy-duty parallel arm flush transom bracket (499F30) used with A2, A3, A4, A5 arms | M79 |
| Parallel arm flush transom bracket (parallel or A1) | M82 |
| Parallel arm offset bracket | M83 |
| Mortise arm bracket (for regular arm mounting) | M84 |
| Angle support bracket | M85 |
| Extreme temperature fluid | (standard) |

| Drop Plates - order by number (formerly M80) | |
|--|------------|
| Closer Series | Drop Plate |
| DC3210 (parallel) | 597F58 |
| DC3220 (top jamb) | 188F65 |

| Paint (cans) | |
|-----------------|---------|
| Description | Specify |
| Silver Aluminum | 597F94 |
| Dark Bronze | 597F95 |
| Light Bronze | 597F96 |
| Satin Brass | 597F97 |