



What goes in, keeps them out.

Deadbolts B Series

With premium metal construction and plated keyways, Schlage deadbolts are made with durability in mind. Combine our wide range of unique finish and style with our easy one-tool installation and you can give your door a stylish makeover in minutes.

Express your style

- Available in a variety of durable finishes to complement your home's style
- Decorative trim options add the perfect finishing touch

Proven quality & durability

- Designed for strength and durability
- Larger, solid 1-inch bolt
- One-piece exterior protects against prying with sharp objects
- Highest residential security rating
- Contains anti-drill pins and plates to help prevent intruders from drilling out lock

Easy installation

- Installs in minutes with a screwdriver
- Guaranteed to fit on standard doors



B60



B62

Finishes

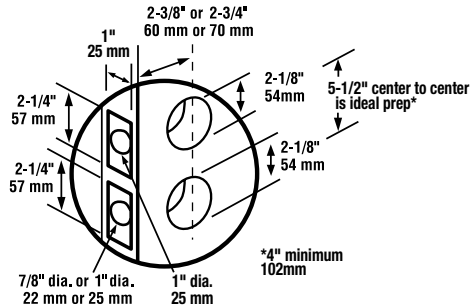
Series	605 606 609 612 613 619 620 621 622 625 626 643/716												
	505	US3	US4	US5	US10	US10B	US15	US15A	US17A	US19	US26	US26D	US11
B60	■	■		■		■	■	■	■	■	■	■	716
B62	■	■					■					■	716

Complete finish chart on page 52

Specifications

Certifications	Exceeds ANSI/BHMA certified A156.5 - 2001, Grade 1, UL Listed for 3-hour fire door (Grade 2 with FSIC)
Applications	Medium-traffic deadbolt, Grade 1 residential or commercial, exterior, new construction and retrofit applications
Deadbolt	1" x 2 1/4" (25mm x 57mm), square and round corner faceplate included, 1" (25mm) housing diameter, 1" (25mm) throw

Door preparation



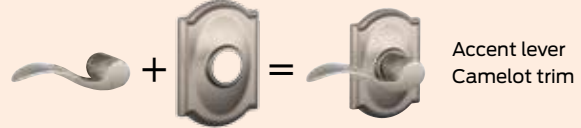
Stand out effortlessly.

Decorative trim

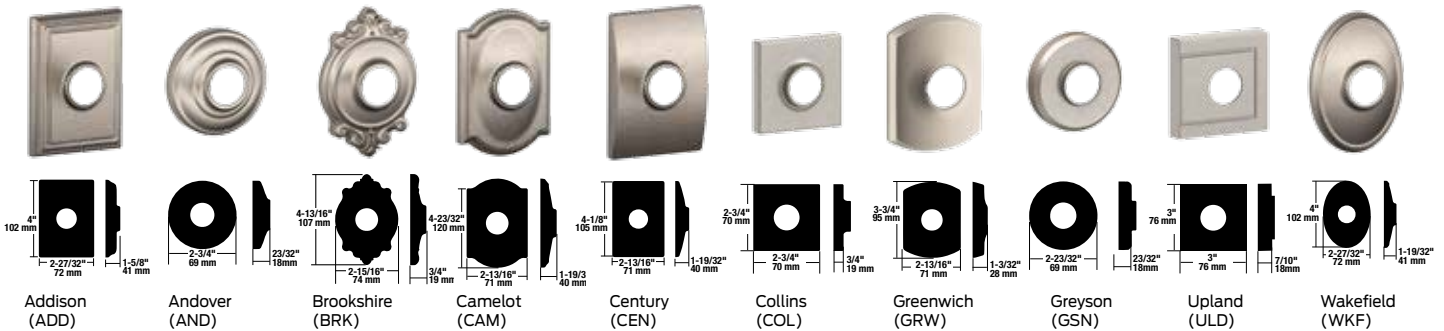
Schlage's Decorative Collections make it easy to match our strength to your style. With more than 1,000 customized design and finish options in all, your decor will be limited by only your imagination.



Pair a knob or lever with our inspired decorative trim options to bring your vision to life.*



* Locks ship complete with trim attached



Finishes

Knobs & Levers	605	608	609	618	619	625	626	505	716	613	620	621	622
Addison (ADD)	■	■	■	■	■	■	■	■	■	■	■	■	■
Brookshire (BRK)	■	■	■	■	■	■	■	■	■	■	■	■	■
Camelot (CAM)	■	■	■	■	■	■	■	■	■	■	■	■	■
Century (CE)	■	■	■	■	■	■	■	■	■	■	■	■	■
Collins (COL)	■	■	■	■	■	■	■	■	■	■	■	■	■
Greenwich (GRW)	■	■	■	■	■	■	■	■	■	■	■	■	■
Wakefield (WKF)	■	■	■	■	■	■	■	■	■	■	■	■	■
Upland (ULD)	■	■	■	■	■	■	■	■	■	■	■	■	■
Andover (AD)*	■	■	■	■	■	■	■	■	■	■	■	■	■
Greyson (GS)*	■	■	■	■	■	■	■	■	■	■	■	■	■

Handlesets F59 & F94 only	605	608	609	618	619	625	626	505	716	613	620	621	622
Addison (ADD)	■	■	■	■	■	■	■	■	■	■	■	■	■
Andover (AD)*	■	■	■	■	■	■	■	■	■	■	■	■	■
Brookshire (BRK)	■	■	■	■	■	■	■	■	■	■	■	■	■
Camelot (CAM)	■	■	■	■	■	■	■	■	■	■	■	■	■
Century (CE)	■	■	■	■	■	■	■	■	■	■	■	■	■
Greenwich (GRW)	■	■	■	■	■	■	■	■	■	■	■	■	■
Wakefield (WKF)	■	■	■	■	■	■	■	■	■	■	■	■	■
Greyson (GS)*	■	■	■	■	■	■	■	■	■	■	■	■	■
Upland (ULD)*, **	■	■	■	■	■	■	■	■	■	■	■	■	■
Collins (COL)**	■	■	■	■	■	■	■	■	■	■	■	■	■

Deadbolts	605	608	609	618	619	625	626	505	716	613	620	621	622
Addison (ADD)	■	■	■	■	■	■	■	■	■	■	■	■	■
Brookshire (BRK)	■	■	■	■	■	■	■	■	■	■	■	■	■
Camelot (CAM)	■	■	■	■	■	■	■	■	■	■	■	■	■
Century (CE)	■	■	■	■	■	■	■	■	■	■	■	■	■
Collins (COL)	■	■	■	■	■	■	■	■	■	■	■	■	■
Greenwich (GRW)	■	■	■	■	■	■	■	■	■	■	■	■	■
Wakefield (WKF)	■	■	■	■	■	■	■	■	■	■	■	■	■

* Andover, Greyson, and Upland trim available on interior knob or lever only and not on the deadbolt
 ** Upland F59 and F94 features Collins deadbolt

Door preparation

