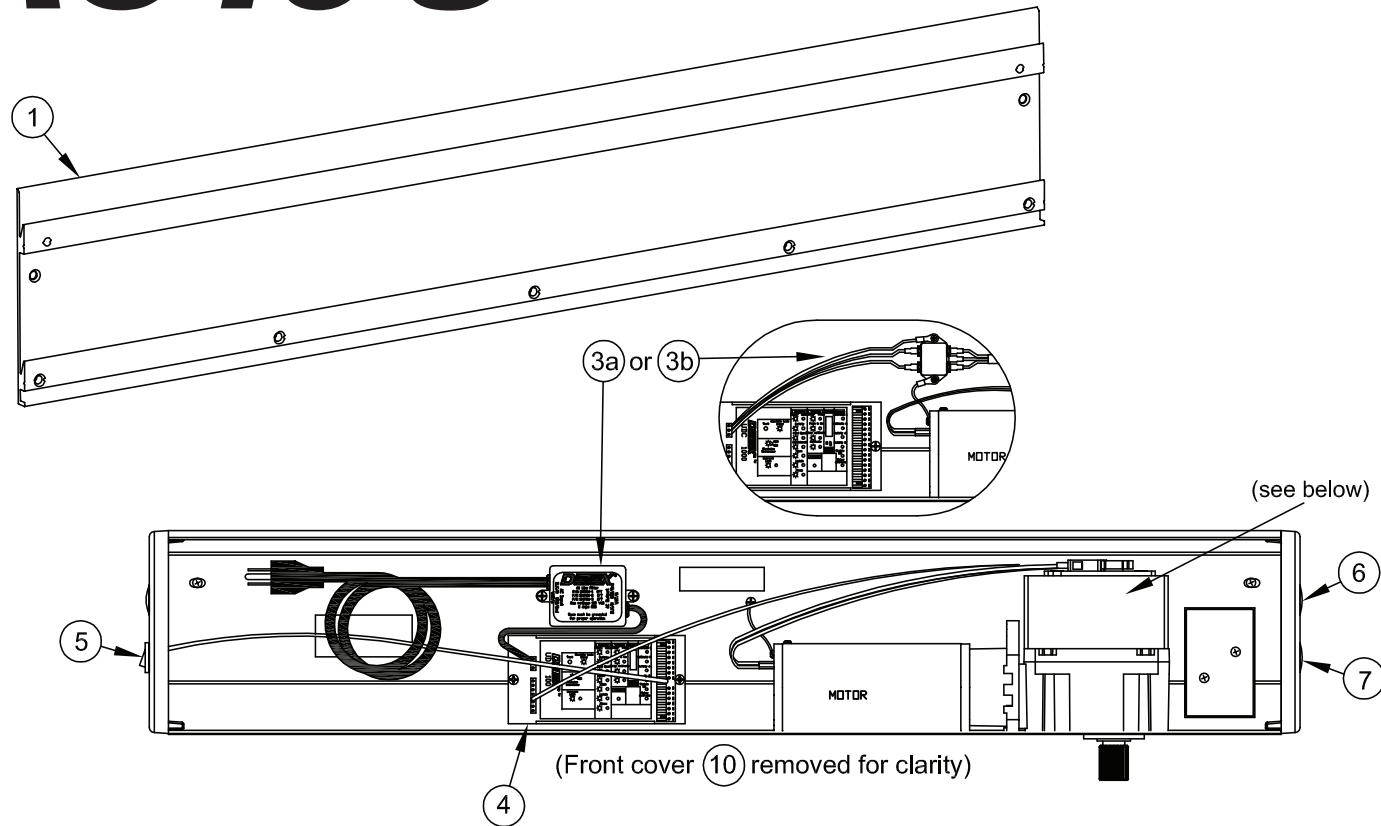
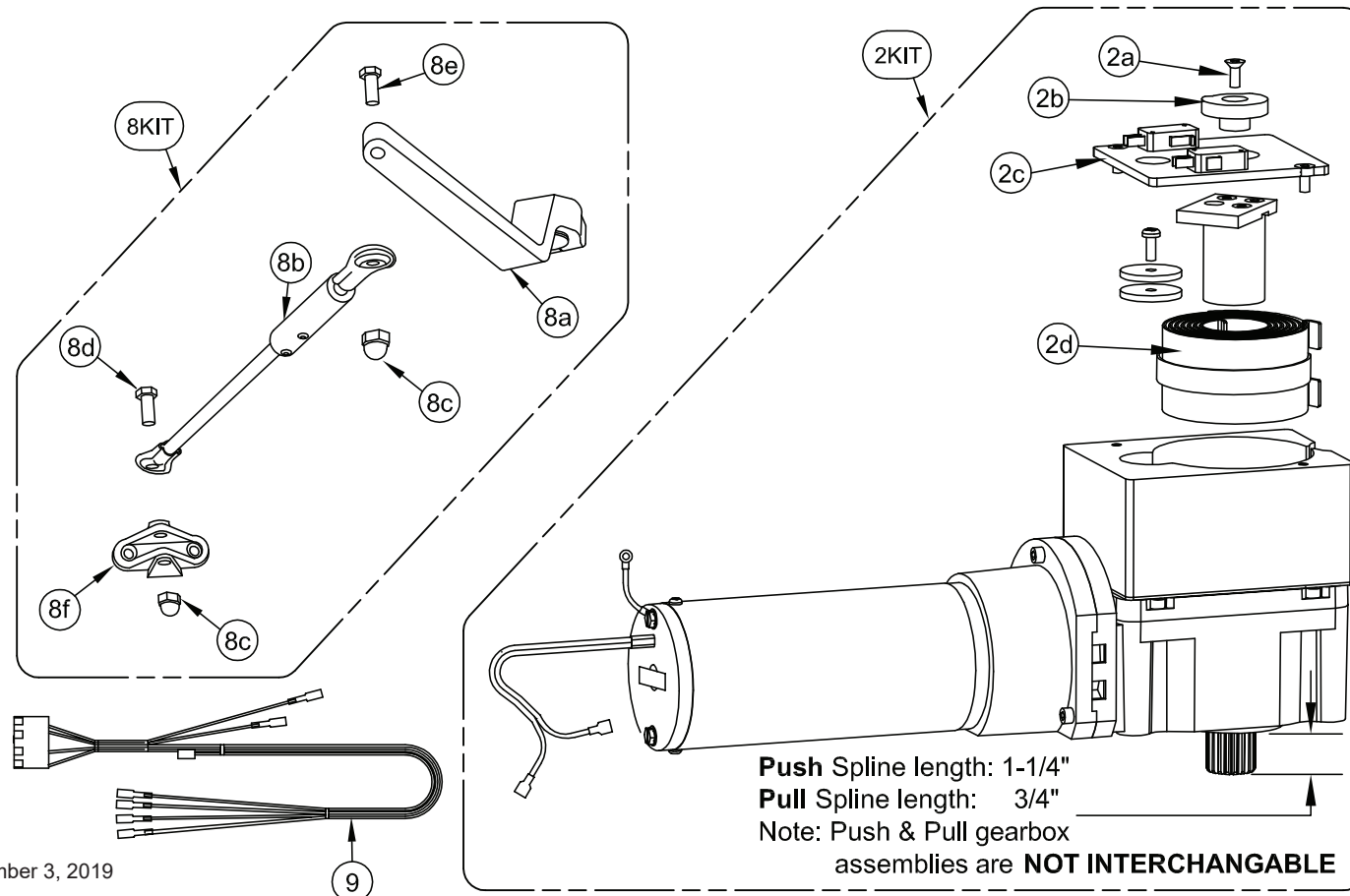


AO19 SERIES®

AO19-1 Push Parts List



Right Hand Push device shown above and throughout this instruction.

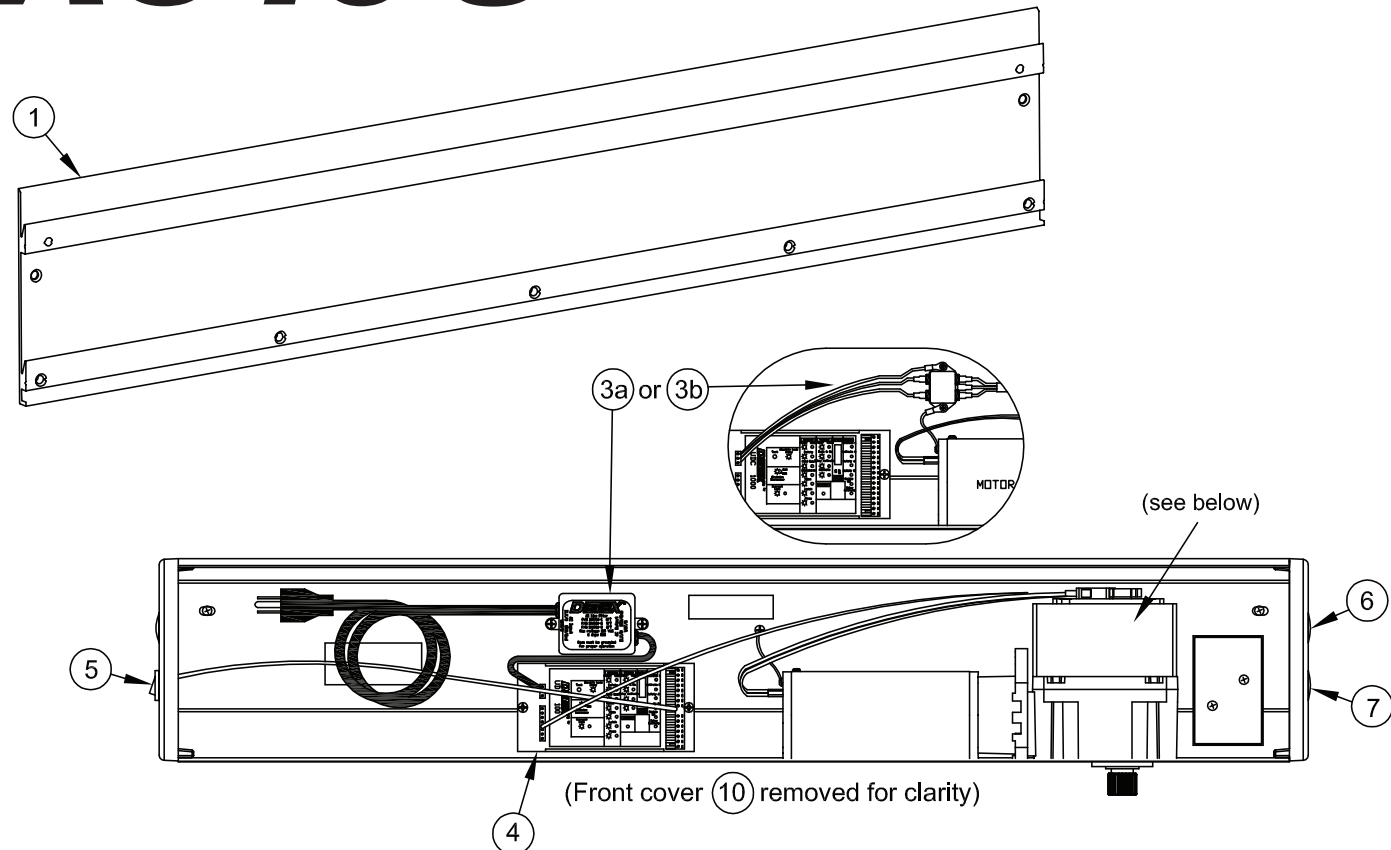


| Item | Order Part # | Description | List Price |
|------|--------------|---|-------------|
| 1 | 12515-1 | Hanger plate, AO19, Aluminum finish, 38" long | \$ 99.00 |
| | 12515-2 | Hanger plate, AO19, Bronze finish, 38" long | \$ 99.00 |
| | 12515-3 | Hanger plate, AO19, Aluminum finish, 44" long | \$ 142.00 |
| | 12515-4 | Hanger plate, AO19, Bronze finish, 44" long | \$ 142.00 |
| | 12515-13 | Hanger plate, AO19, Aluminum finish, 50.50" long | \$ 171.00 |
| | 12515-14 | Hanger plate, AO19, Bronze finish, 50.50" long | \$ 171.00 |
| 2KIT | 104796-3 | S & R Motor-gearbox assembly, AO19, RH Push (includes 2a-2d) | \$ 1,449.00 |
| | 104796-1 | S & R Motor-gearbox assembly, AO19, LH Push (includes 2a-2d) | \$ 1,449.00 |
| 2a | 12407-2 | Screw, mach, 10-32 x 1/2" , flat socket head | \$ 0.17 |
| 2b | 12607 | Cam, AO19 | \$ 1.00 |
| 2c | 104705 | Switch plate subassembly | \$ 39.00 |
| 2d | 105433 | S & R AO19 Clock spring replacement kit | \$ 119.00 |
| 3a | 105416-2 | S & R Kit, 120VAC Line filter, 4 ft | \$ 290.00 |
| 3b | 105416-5 | S & R Kit, 120VAC Line filter, 4 ft (alternate build) | \$ 101.00 |
| 4 | 105421 | S & R Controller, operator, UDC1000 | \$ 779.00 |
| 5 | 105422 | S & R Switch, 3 way toggle, with cable & connector (for UDC Controller) | \$ 128.00 |
| 6 | 12905 | Plug, hole, .875 dia. | \$ 0.59 |
| 7 | 12906 | Plug, hole, 1.093 dia. | \$ 0.75 |
| 8KIT | 104798-1 | Push Arm subassembly, Aluminum finish (includes 8a-8f) | \$ 200.00 |
| | 104798-2 | Push Arm subassembly, Bronze finish (includes 8a-8f) | \$ 200.00 |
| 8a | 12731-1 | Bent Arm, AO19, Aluminum finish | \$ 89.00 |
| | 12731-2 | Bent Arm, AO19, Bronze finish | \$ 89.00 |
| 8b | 104728-1 | Push arm rod assembly, Aluminum finish, 20" | \$ 75.00 |
| | 104728-2 | Push arm rod assembly, Bronze finish, 20" | \$ 75.00 |
| 8c | 12741-1 | Nut, acorn, 3/8-24 Aluminum finish | \$ 1.25 |
| | 12741-2 | Nut, acorn, 3/8-24 Bronze finish | \$ 1.25 |
| 8d | 12739-1 | Screw, hex cap, 3/8-24 x 1-3/4" long, Aluminum finish | \$ 1.25 |
| | 12739-2 | Screw, hex cap, 3/8-24 x 1-3/4" long, Bronze finish | \$ 1.25 |
| 8e | 12743-1 | Screw, hex cap, 3/8-24 x 1-1/4" long, Aluminum finish | \$ 1.25 |
| | 12743-2 | Screw, hex cap, 3/8-24 x 1-1/4" long, Bronze finish | \$ 1.25 |
| 8f | 12735-1 | Door foot, AO19, Aluminum finish | \$ 35.00 |
| | 12735-2 | Door foot, AO19, Bronze finish | \$ 35.00 |
| 9 | 104706 | Micro harness, AO19 | \$ 36.00 |
| 10 | 12516-1 | Cover, AO19, Aluminum finish, 38.25" long (not shown) | \$ 99.00 |
| | 12516-2 | Cover, AO19, Bronze finish, 38.25" long (not shown) | \$ 99.00 |
| | 12516-3 | Cover, AO19, Aluminum finish, 44.25" long (not shown) | \$ 112.00 |
| | 12516-4 | Cover, AO19, Bronze finish, 44.25" long (not shown) | \$ 112.00 |
| | 12516-13 | Cover, AO19, Aluminum finish, 50.75" long (not shown) | \$ 135.00 |
| | 12516-14 | Cover, AO19, Bronze finish, 50.75" long (not shown) | \$ 135.00 |

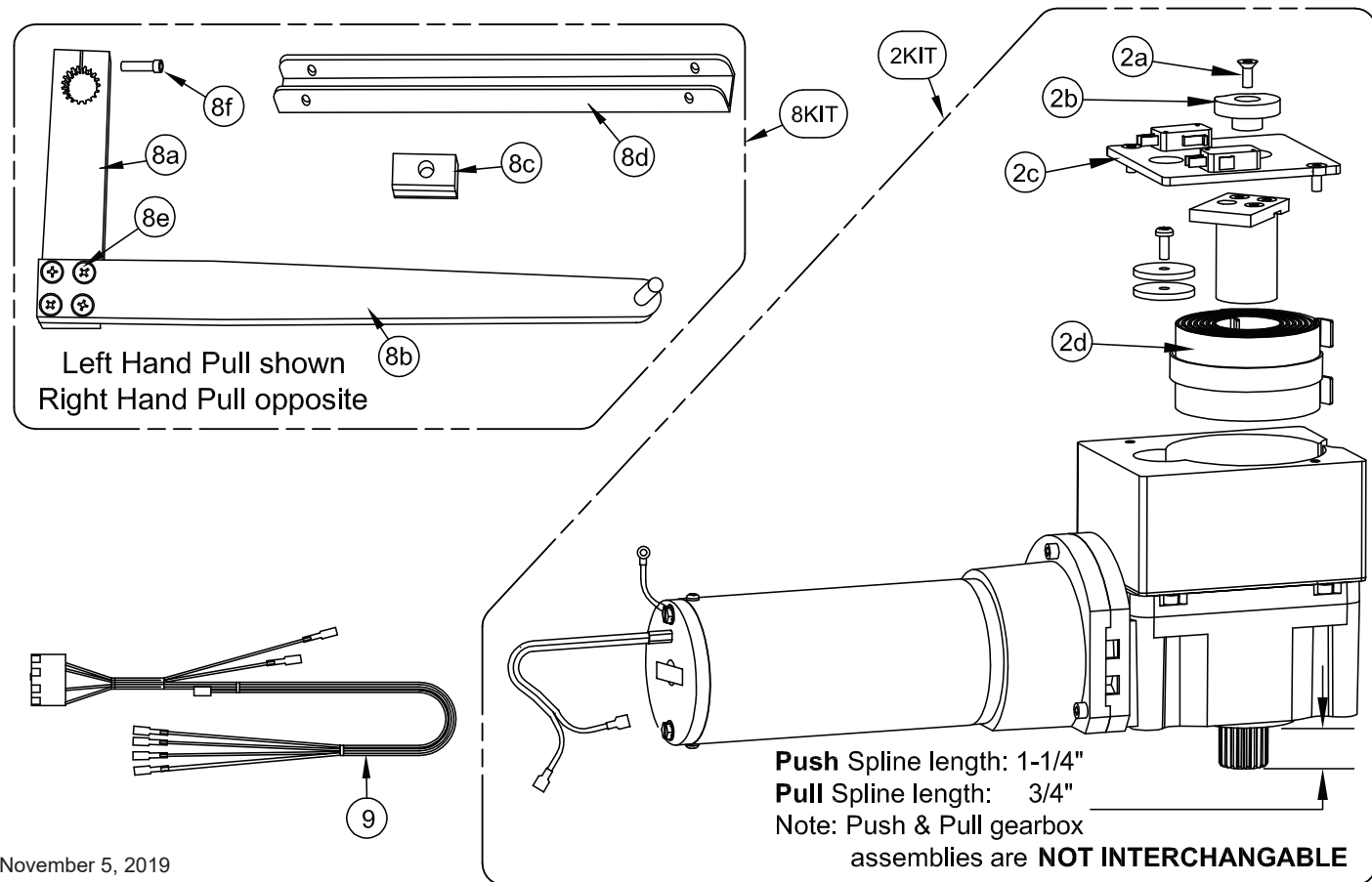
Your particular part or configuration may not be shown:
Contact Detex technical support at 800-729-3839 (option 2)

AO19 SERIES®

AO19-1 Pull Parts List



Left Hand Pull device shown above and throughout this instruction.



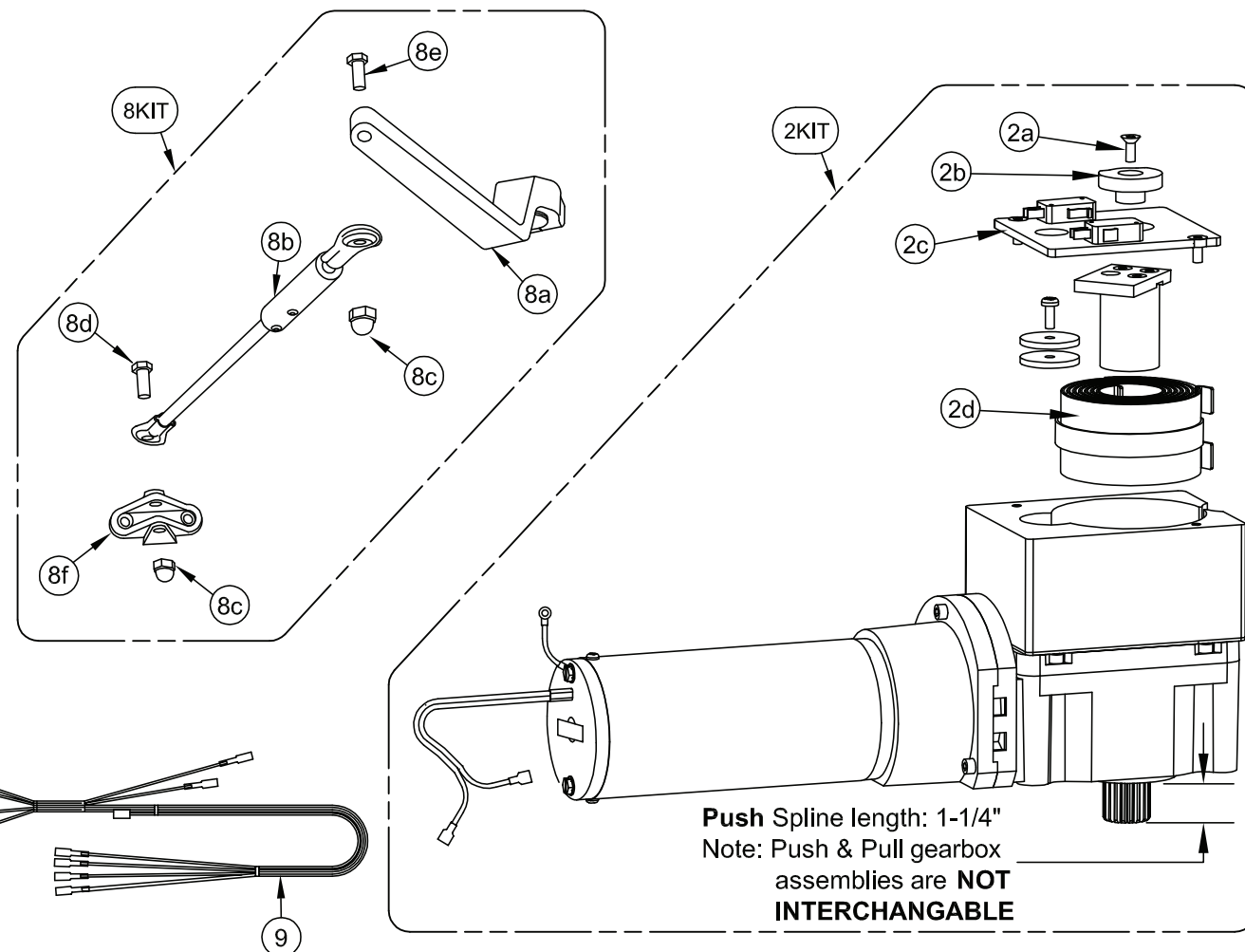
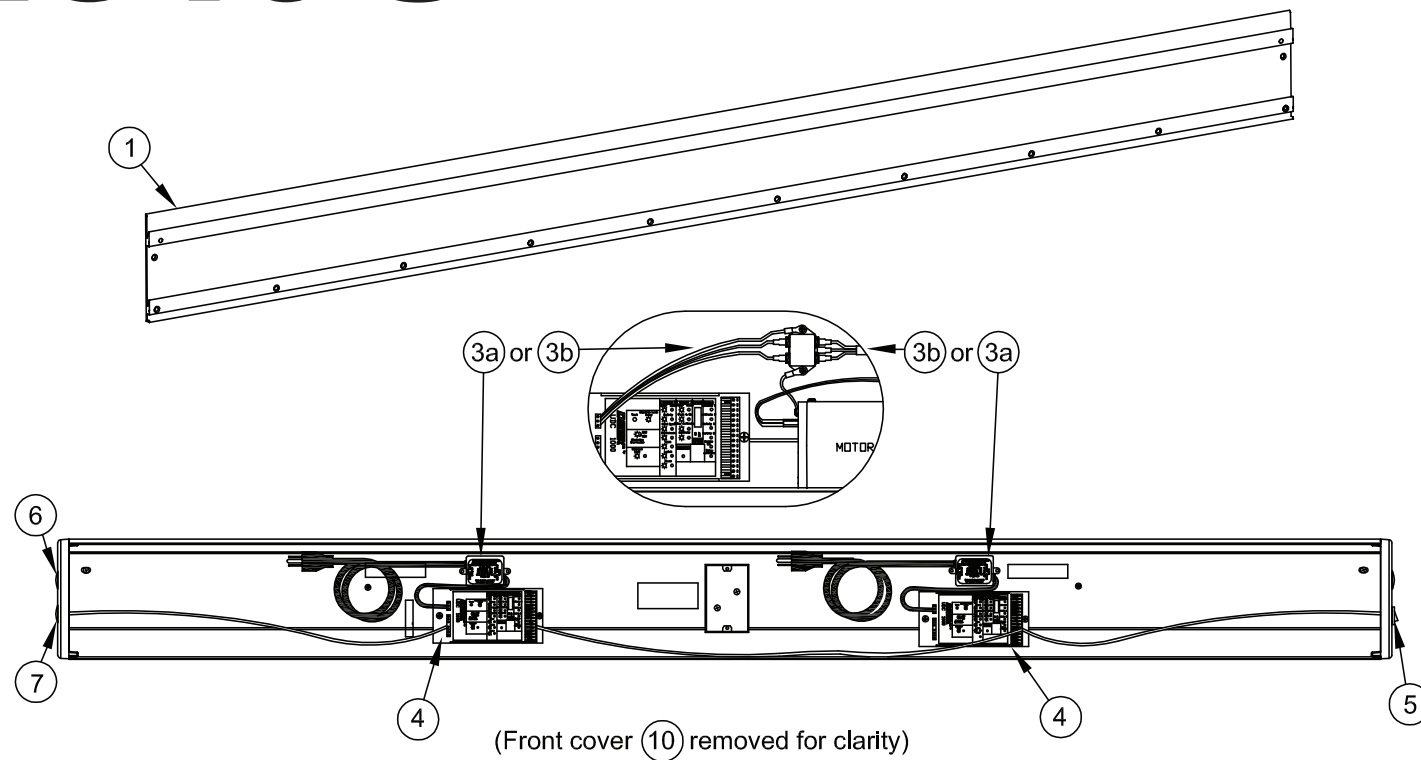
| Item | Order Part # | Description | List Price |
|------|--------------|---|-------------|
| 1 | 12515-1 | Hanger plate, AO19, Aluminum finish, 38" long | \$ 99.00 |
| | 12515-2 | Hanger plate, AO19, Bronze finish, 38" long | \$ 99.00 |
| | 12515-3 | Hanger plate, AO19, Aluminum finish, 44" long | \$ 142.00 |
| | 12515-4 | Hanger plate, AO19, Bronze finish, 44" long | \$ 142.00 |
| | 12515-13 | Hanger plate, AO19, Aluminum finish, 50.50" long | \$ 171.00 |
| | 12515-14 | Hanger plate, AO19, Bronze finish, 50.50" long | \$ 171.00 |
| 2KIT | 104796-4 | S & R Motor-gearbox assembly, AO19, RH Pull (includes 2a-2d) | \$ 1,449.00 |
| | 104796-2 | S & R Motor-gearbox assembly, AO19, LH Pull (includes 2a-2d) | \$ 1,449.00 |
| 2a | 12407-2 | Screw, mach, 10-32 x 1/2" , flat socket head | \$ 0.17 |
| 2b | 12607 | Cam, AO19 | \$ 1.00 |
| 2c | 104705 | Switch plate subassembly | \$ 39.00 |
| 2d | 105433 | S & R AO19 Clock spring replacement kit | \$ 119.00 |
| 3a | 105416-2 | S & R Kit, 120VAC Line filter, 4 ft | \$ 290.00 |
| 3b | 105416-5 | S & R Kit, 120VAC Line filter, 4 ft (alternate build) | \$ 101.00 |
| 4 | 105421 | S & R Controller, operator, UDC1000 | \$ 779.00 |
| 5 | 105422 | S & R Switch, 3 way toggle, with cable & connector (for UDC Controller) | \$ 128.00 |
| 6 | 12905 | Plug, hole, .875 dia. | \$ 0.59 |
| 7 | 12906 | Plug, hole, 1.093 dia. | \$ 0.75 |
| 8KIT | 104797-1 | Pull Arm subassembly, Aluminum finish (includes 8a-8f) | \$ 259.00 |
| | 104797-2 | Pull Arm subassembly, Bronze finish (includes 8a-8f) | \$ 259.00 |
| 8a | 12781-1 | Power Arm, AO19, Aluminum finish | \$ 110.00 |
| | 12781-2 | Power Arm, AO19, Bronze finish | \$ 110.00 |
| 8b | 12787-1 | Forearm, AO19, Aluminum finish | \$ 105.00 |
| | 12787-2 | Forearm, AO19, Bronze finish | \$ 105.00 |
| 8c | 12784 | Block, Arm Slide | \$ 35.00 |
| 8d | 12785-1 | Slide Track, Aluminum finish | \$ 40.00 |
| | 12785-2 | Slide Track, Bronze finish | \$ 40.00 |
| 8e | 102271-112 | Screw, Mach, 1/4-20 PFH, Stainless Steel | \$ 0.25 |
| | 102271-312 | Screw, Mach, 1/4-20 PFH, Stainless Steel, Black | \$ 1.10 |
| 8f | 12742-1 | Screw, Socket head cap, 1/4-20 x 1", Stainless Steel | \$ 0.75 |
| | 12742-2 | Screw, Socket head cap, 1/4-20 x 1", Black | \$ 0.30 |
| 9 | 104706 | Micro harness, AO19 | \$ 36.00 |
| 10 | 12516-1 | Cover, AO19, Aluminum finish, 38.25" long | \$ 99.00 |
| | 12516-2 | Cover, AO19, Bronze finish, 38.25" long | \$ 99.00 |
| | 12516-3 | Cover, AO19, Aluminum finish, 44.25" long | \$ 112.00 |
| | 12516-4 | Cover, AO19, Bronze finish, 44.25" long | \$ 112.00 |
| | 12516-13 | Cover, AO19, Aluminum finish, 50.75" long (not shown) | \$ 135.00 |
| | 12516-14 | Cover, AO19, Bronze finish, 50.75" long (not shown) | \$ 135.00 |

Your particular part or configuration may not be shown:
Contact Detex technical support at 800-729-3839 (option 2)



AO19 SERIES®

AO19-2 Push Parts List

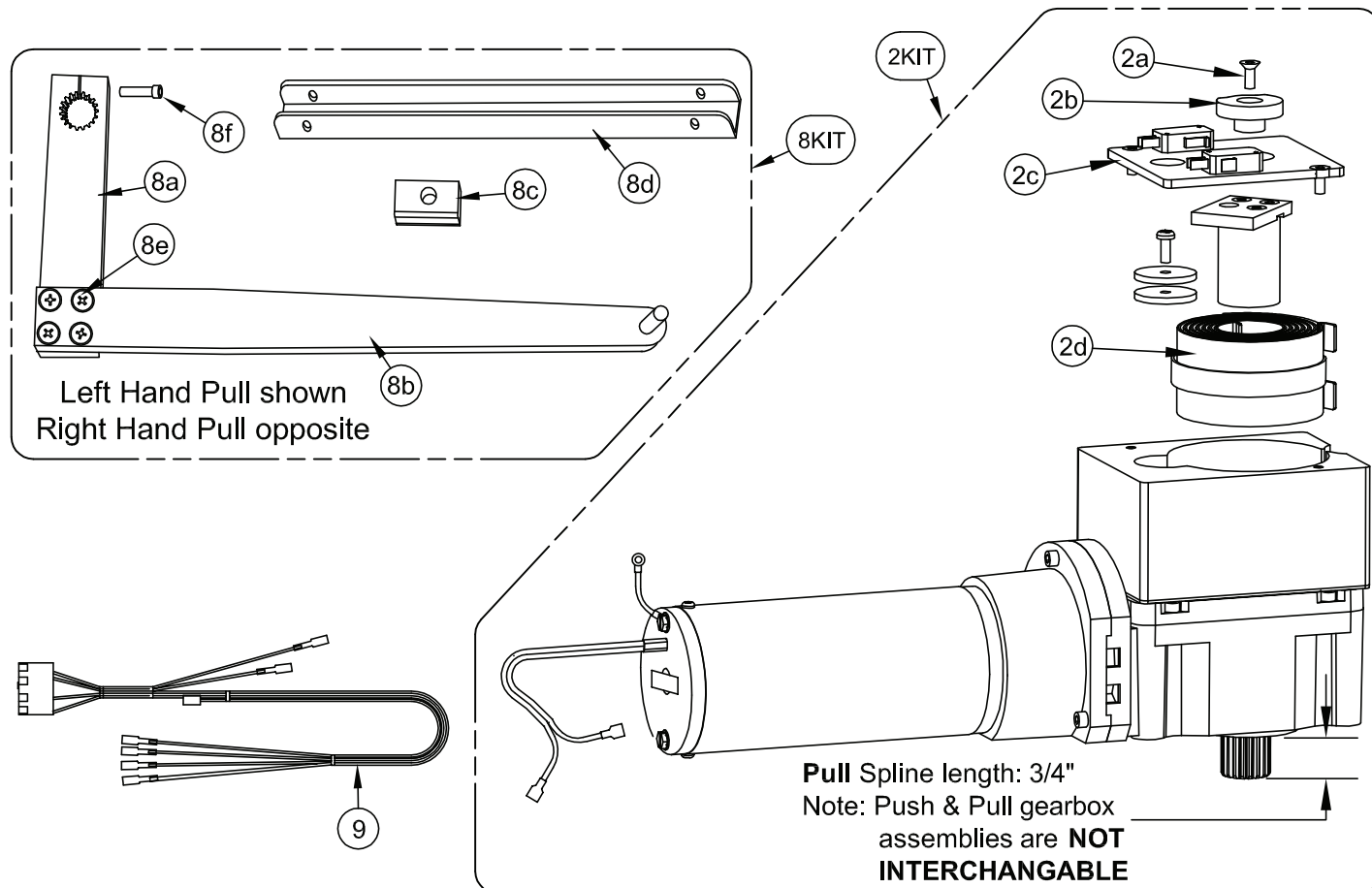
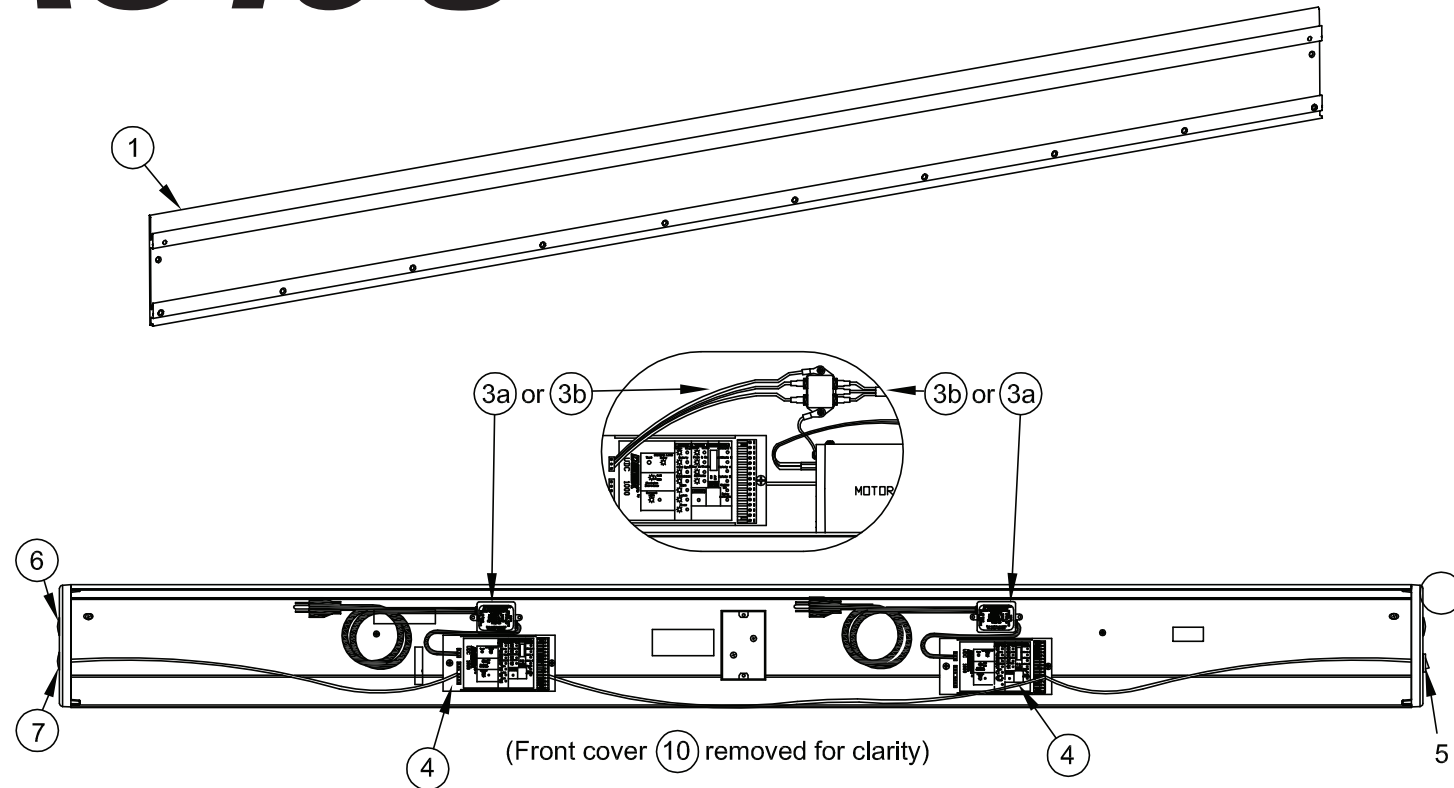


| Item | Order Part # | Description | List Price |
|------|--------------|--|-------------|
| 1 | 12515-5 | Hanger plate, AO19, Aluminum finish, 74" long | \$ 246.00 |
| | 12515-6 | Hanger plate, AO19, Bronze finish, 74" long | \$ 246.00 |
| | 12515-7 | Hanger plate, AO19, Aluminum finish, 90" long | \$ 286.00 |
| | 12515-8 | Hanger plate, AO19, Bronze finish, 90" long | \$ 286.00 |
| | 12515-15 | Hanger plate, AO19, Aluminum finish, 98.50" long | \$ 326.00 |
| | 12515-16 | Hanger plate, AO19, Bronze finish, 98.50" long | \$ 326.00 |
| 2KIT | 104796-3 | S & R Motor-gearbox assembly, AO19, RH Push (includes 2a-2d) | \$ 1,449.00 |
| | 104796-1 | S & R Motor-gearbox assembly, AO19, LH Push (includes 2a-2d) | \$ 1,449.00 |
| 2a | 12407-2 | Screw, mach, 10-32 x 1/2", flat socket head | \$ 0.17 |
| 2b | 12607 | Cam, AO19 | \$ 1.00 |
| 2c | 104705 | Switch plate subassembly | \$ 39.00 |
| 2d | 105433 | S & R AO19 Clock spring replacement kit | \$ 119.00 |
| 3a | 105416-2 | S & R Kit, 120VAC Line filter, 4 ft | \$ 290.00 |
| 3b | 105416-5 | S & R Kit, 120VAC Line filter, 4 ft (alternate build) | \$ 101.00 |
| 4 | 105421 | S & R Controller, operator, UDC 1000 | \$ 779.00 |
| 5 | 105422 | S & R Switch, 3 way toggle, with cable & connector (for UDC Controller, independent units) | \$ 128.00 |
| | 106911-1 | UDC 1000 Cable/Switch assembly, 36" (for dual units) | \$ 120.00 |
| | 106911-2 | UDC 1000 Cable/Switch assembly, 57" (for dual units) | \$ 180.00 |
| 6 | 12905 | Plug, hole, .875 dia. | \$ 0.59 |
| 7 | 12906 | Plug, hole, 1.093 dia. | \$ 0.75 |
| 8KIT | 104798-1 | Push Arm subassembly, Aluminum finish (includes 8a-8f) | \$ 200.00 |
| | 104798-2 | Push Arm subassembly, Bronze finish (includes 8a-8f) | \$ 200.00 |
| 8a | 12731-1 | Bent Arm, AO19, Aluminum finish | \$ 89.00 |
| | 12731-2 | Bent Arm, AO19, Bronze finish | \$ 89.00 |
| 8b | 104728-1 | Push arm rod assembly, Aluminum finish, 20" | \$ 75.00 |
| | 104728-2 | Push arm rod assembly, Bronze finish, 20" | \$ 75.00 |
| 8c | 12741-1 | Nut, acorn, 3/8-24 Aluminum finish | \$ 1.25 |
| | 12741-2 | Nut, acorn, 3/8-24 Bronze finish | \$ 1.25 |
| 8d | 12739-1 | Screw, hex cap, 3/8-24 x 1-3/4" long, Aluminum finish | \$ 1.25 |
| | 12739-2 | Screw, hex cap, 3/8-24 x 1-3/4" long, Bronze finish | \$ 1.25 |
| 8e | 12743-1 | Screw, hex cap, 3/8-24 x 1-1/4" long, Aluminum finish | \$ 1.25 |
| | 12743-2 | Screw, hex cap, 3/8-24 x 1-1/4" long, Bronze finish | \$ 1.25 |
| 8f | 12735-1 | Door foot, AO19, Aluminum finish | \$ 35.00 |
| | 12735-2 | Door foot, AO19, Bronze finish | \$ 35.00 |
| 9 | 104706 | Micro harness, AO19 | \$ 36.00 |
| 10 | 12516-5 | Cover, AO19, Aluminum finish, 74" long (not shown) | \$ 220.00 |
| | 12516-6 | Cover, AO19, Bronze finish, 74" long (not shown) | \$ 220.00 |
| | 12516-7 | Cover, AO19, Aluminum finish, 90" long (not shown) | \$ 230.00 |
| | 12516-8 | Cover, AO19, Bronze finish, 90" long (not shown) | \$ 230.00 |
| | 12516-15 | Cover, AO19, Aluminum finish, 98.75" long (not shown) | \$ 250.00 |
| | 12516-16 | Cover, AO19, Bronze finish, 98.75" long (not shown) | \$ 250.00 |

Your particular part or configuration may not be shown:
Contact Detex technical support at 800-729-3839 (option 2)

AO19 SERIES®

AO19-2 Pull Parts List



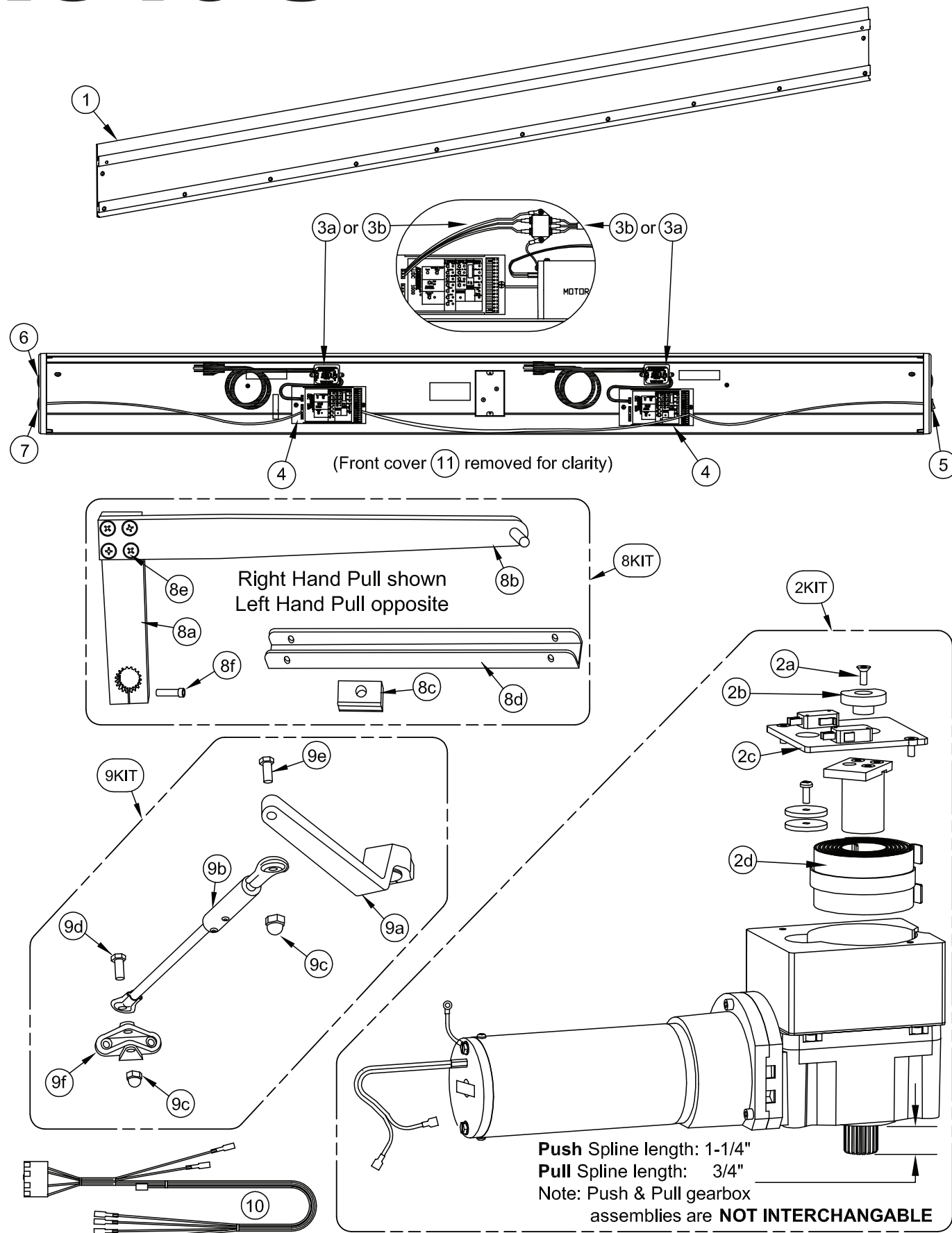
| Item | Order Part # | Description | List Price |
|------|--------------|--|-------------|
| 1 | 12515-5 | Hanger plate, AO19, Aluminum finish, 74" long | \$ 246.00 |
| | 12515-6 | Hanger plate, AO19, Bronze finish, 74" long | \$ 246.00 |
| | 12515-7 | Hanger plate, AO19, Aluminum finish, 90" long | \$ 286.00 |
| | 12515-8 | Hanger plate, AO19, Bronze finish, 90" long | \$ 286.00 |
| | 12515-15 | Hanger plate, AO19, Aluminum finish, 98.50" long | \$ 326.00 |
| | 12515-16 | Hanger plate, AO19, Bronze finish, 98.50" long | \$ 326.00 |
| 2KIT | 104796-4 | S & R Motor-gearbox assembly, AO19, RH Pull (includes 2a-2d) | \$ 1,449.00 |
| | 104796-2 | S & R Motor-gearbox assembly, AO19, LH Pull (includes 2a-2d) | \$ 1,449.00 |
| 2a | 12407-2 | Screw, mach, 10-32 x 1/2" , flat socket head | \$ 0.17 |
| 2b | 12607 | Cam, AO19 | \$ 1.00 |
| 2c | 104705 | Switch plate subassembly | \$ 39.00 |
| 2d | 105433 | S & R AO19 Clock spring replacement kit | \$ 119.00 |
| 3a | 105416-2 | S & R Kit, 120VAC Line filter, 4 ft | \$ 290.00 |
| 3b | 105416-5 | S & R Kit, 120VAC Line filter, 4 ft (alternate build) | \$ 101.00 |
| 4 | 105421 | S & R Controller, operator, UDC 1000 | \$ 779.00 |
| 5 | 105422 | S & R Switch, 3 way toggle, with cable & connector (for UDC Controller, independent units) | \$ 128.00 |
| | 106911-1 | UDC 1000 Cable/Switch assembly, 36" (for dual units) | \$ 120.00 |
| | 106911-2 | UDC 1000 Cable/Switch assembly, 57" (for dual units) | \$ 180.00 |
| 6 | 12905 | Plug, hole, .875 dia. | \$ 0.59 |
| 7 | 12906 | Plug, hole, 1.093 dia. | \$ 0.75 |
| 8KIT | 104797-1 | Pull Arm subassembly, Aluminum finish (includes 8a-8f) | \$ 259.00 |
| | 104797-2 | Pull Arm subassembly, Bronze finish (includes 8a-8f) | \$ 259.00 |
| 8a | 12781-1 | Power Arm, AO19, Aluminum finish | \$ 110.00 |
| | 12781-2 | Power Arm, AO19, Bronze finish | \$ 110.00 |
| 8b | 12787-1 | Forearm, AO19, Aluminum finish | \$ 105.00 |
| | 12787-2 | Forearm, AO19, Bronze finish | \$ 105.00 |
| 8c | 12784 | Block, Arm Slide | \$ 35.00 |
| 8d | 12785-1 | Slide Track, Aluminum finish | \$ 40.00 |
| | 12785-2 | Slide Track, Bronze finish | \$ 40.00 |
| 8e | 102271-112 | Screw, Mach, 1 /4-20 PFH, Stainless Steel | \$ 0.25 |
| | 102271-312 | Screw, Mach, 1 /4-20 PFH, Stainless Steel, Black | \$ 1.10 |
| 8f | 12742-1 | Screw, Socket head cap, 1 /4-20 x 1", Stainless Steel | \$ 0.75 |
| | 12742-2 | Screw, Socket head cap, 1 /4-20 x 1", Black | \$ 0.30 |
| 9 | 104706 | Micro harness, AO19 | \$ 36.00 |
| 10 | 12516-5 | Cover, AO19, Aluminum finish, 74" long (not shown) | \$ 220.00 |
| | 12516-6 | Cover, AO19, Bronze finish, 74" long (not shown) | \$ 220.00 |
| | 12516-7 | Cover, AO19, Aluminum finish, 90" long (not shown) | \$ 230.00 |
| | 12516-8 | Cover, AO19, Bronze finish, 90" long (not shown) | \$ 230.00 |
| | 12516-15 | Cover, AO19, Aluminum finish, 98.75" long (not shown) | \$ 250.00 |
| | 12516-16 | Cover, AO19, Bronze finish, 98.75" long (not shown) | \$ 250.00 |

Your particular part or configuration may not be shown:
Contact Detex technical support at 800-729-3839 (option 2)

DETEx®

AO19 SERIES®

AO19-3 Parts List



| Item | Order Part # | Description | List Price |
|------|--------------|--|-------------|
| 1 | 12515-5 | Hanger plate, AO19, Aluminum finish, 74" long | \$ 246.00 |
| | 12515-6 | Hanger plate, AO19, Bronze finish, 74" long | \$ 246.00 |
| | 12515-7 | Hanger plate, AO19, Aluminum finish, 90" long | \$ 286.00 |
| | 12515-8 | Hanger plate, AO19, Bronze finish, 90" long | \$ 286.00 |
| | 12515-15 | Hanger plate, AO19, Aluminum finish, 98.50" long | \$ 326.00 |
| | 12515-16 | Hanger plate, AO19, Bronze finish, 98.50" long | \$ 326.00 |
| 2KIT | 104796-4 | S & R Motor-gearbox assembly, AO19, RH Pull (includes 2a-2d) | \$ 1,449.00 |
| | 104796-2 | S & R Motor-gearbox assembly, AO19, LH Pull (includes 2a-2d) | \$ 1,449.00 |
| | 104796-3 | S & R Motor-gearbox assembly, AO19, RH Push (includes 2a-2d) | \$ 1,449.00 |
| | 104796-1 | S & R Motor-gearbox assembly, AO19, LH Push (includes 2a-2d) | \$ 1,449.00 |
| 2a | 12407-2 | Screw, mach, 10-32 x 1/2", flat socket head | \$ 0.17 |
| 2b | 12607 | Cam, AO19 | \$ 1.00 |
| 2c | 104705 | Switch plate subassembly | \$ 39.00 |
| 2d | 105433 | S & R AO19 Clock spring replacement kit | \$ 119.00 |
| 3a | 105416-2 | S & R Kit, 120VAC Line filter, 4 ft | \$ 290.00 |
| 3b | 105416-5 | S & R Kit, 120VAC Line filter, 4 ft (alternate build) | \$ 101.00 |
| 4 | 105421 | S & R Controller, operator, UDC 1000 | \$ 779.00 |
| 5 | 105422 | S & R Switch, 3 way toggle, with cable & connector (for UDC Controller, independent units) | \$ 128.00 |
| | 106911-1 | UDC 1000 Cable/Switch assembly, 36" (for dual units) | \$ 120.00 |
| | 106911-2 | UDC 1000 Cable/Switch assembly, 57" (for dual units) | \$ 180.00 |
| 6 | 12905 | Plug, hole, .875 dia. | \$ 0.59 |
| 7 | 12906 | Plug, hole, 1.093 dia. | \$ 0.75 |
| 8KIT | 104797-1 | Pull Arm subassembly, Aluminum finish (includes 8a-8f) | \$ 259.00 |
| | 104797-2 | Pull Arm subassembly, Bronze finish (includes 8a-8f) | \$ 259.00 |
| 8a | 12781-1 | Power Arm, AO19, Aluminum finish | \$ 110.00 |
| | 12781-2 | Power Arm, AO19, Bronze finish | \$ 110.00 |
| 8b | 12787-1 | Forearm, AO19, Aluminum finish | \$ 105.00 |
| | 12787-2 | Forearm, AO19, Bronze finish | \$ 105.00 |
| 8c | 12784 | Block, Arm Slide | \$ 35.00 |
| 8d | 12785-1 | Slide Track, Aluminum finish | \$ 40.00 |
| | 12785-2 | Slide Track, Bronze finish | \$ 40.00 |
| 8e | 102271-112 | Screw, Mach, 1/4-20 PFH, Stainless Steel | \$ 0.25 |
| | 102271-312 | Screw, Mach, 1/4-20 PFH, Stainless Steel, Black | \$ 1.10 |
| 8f | 12742-1 | Screw, Socket head cap, 1/4-20 x 1", Stainless Steel | \$ 0.75 |
| | 12742-2 | Screw, Socket head cap, 1/4-20 x 1", Black | \$ 0.30 |
| 9KIT | 104798-1 | Push Arm subassembly, Aluminum finish (includes 9a-9f) | \$ 200.00 |
| | 104798-2 | Push Arm subassembly, Bronze finish (includes 9a-9f) | \$ 200.00 |
| 9a | 12731-1 | Bent Arm, AO19, Aluminum finish | \$ 89.00 |
| | 12731-2 | Bent Arm, AO19, Bronze finish | \$ 89.00 |
| 9b | 104728-1 | Push arm rod assembly, Aluminum finish, 20" | \$ 75.00 |
| | 104728-2 | Push arm rod assembly, Bronze finish, 20" | \$ 75.00 |
| 9c | 12741-1 | Nut, acorn, 3/8-24 Aluminum finish | \$ 1.25 |
| | 12741-2 | Nut, acorn, 3/8-24 Bronze finish | \$ 1.25 |
| 9d | 12739-1 | Screw, hex cap, 3/8-24 x 1-3/4" long, Aluminum finish | \$ 1.25 |
| | 12739-2 | Screw, hex cap, 3/8-24 x 1-3/4" long, Bronze finish | \$ 1.25 |
| 9e | 12743-1 | Screw, hex cap, 3/8-24 x 1-1/4" long, Aluminum finish | \$ 1.25 |
| | 12743-2 | Screw, hex cap, 3/8-24 x 1-1/4" long, Bronze finish | \$ 1.25 |
| 9f | 12735-1 | Door foot, AO19, Aluminum finish | \$ 35.00 |
| | 12735-2 | Door foot, AO19, Bronze finish | \$ 35.00 |
| 10 | 104706 | Micro harness, AO19 | \$ 36.00 |
| 11 | 12516-5 | Cover, AO19, Aluminum finish, 74" long (not shown) | \$ 220.00 |
| | 12516-6 | Cover, AO19, Bronze finish, 74" long (not shown) | \$ 220.00 |
| | 12516-7 | Cover, AO19, Aluminum finish, 90" long (not shown) | \$ 230.00 |
| | 12516-8 | Cover, AO19, Bronze finish, 90" long (not shown) | \$ 230.00 |
| | 12516-15 | Cover, AO19, Aluminum finish, 98.75" long (not shown) | \$ 250.00 |
| | 12516-16 | Cover, AO19, Bronze finish, 98.75" long (not shown) | \$ 250.00 |

Your particular part or configuration may not be shown: Contact Detex technical support at 800-729-3839 (option 2)