

Installation Instructions



S1150 / S1250 Series


Vertical Rod Exit Device

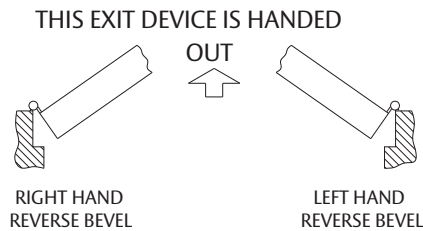


S1250 Rim Exit Device



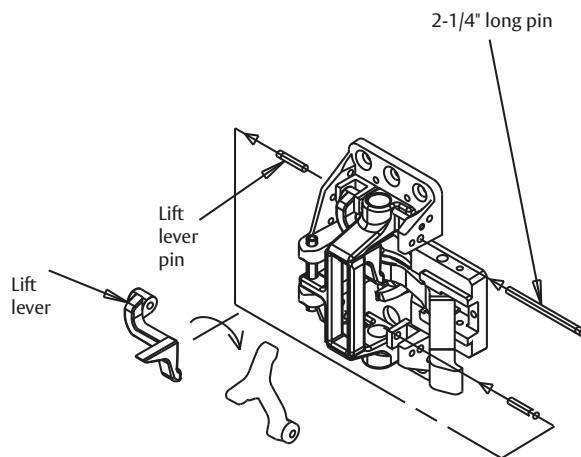
S1150 Small Vertical Rod

 Before starting the door should be fitted and hung. Check box label for hand and size of exit device.



All S1150 and S1250 series exit devices are handed and reversible. It is normally assembled for a left hand reverse bevel door at the factory.

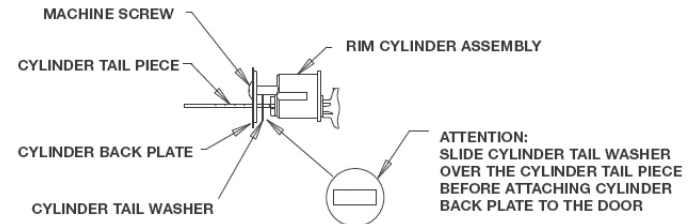
To change hand of S1150 / S1250 Series Exit Device



1. Use 2-1/4" pin (supplied in screw pack) to push out lift lever pin.
2. Remove lift lever.
3. Invert and reassemble with lift lever pin as shown above.

IMPORTANT

1. FOR RIM CYLINDER APPLICATIONS: INSTALL CYLINDER TAIL WASHER TO CYLINDER TAIL PIECE.
2. SURFACE OF THE DOOR WHERE EXIT DEVICE IS TO BE APPLIED, MUST BE FLUSH. CLEAR AWAY ANY RAISED PROJECTIONS TO ALLOW EXIT DEVICE TO REST ON FLAT SURFACE OF THE DOOR.



Available Stock Lengths

- Length E: 32" Door. Can be cut to fit 24" door.
- Length F: 36" Door. Can be cut to fit 33" door.
- Length G: 48" Door. Can be cut to fit 43" door.
- Length J: 42" Door. Can be cut to fit 37" door.



WARNING
This product can expose you to lead which is known to the state of California to cause cancer and birth defects or other reproductive harm. For more information go to www.P65warnings.ca.gov.

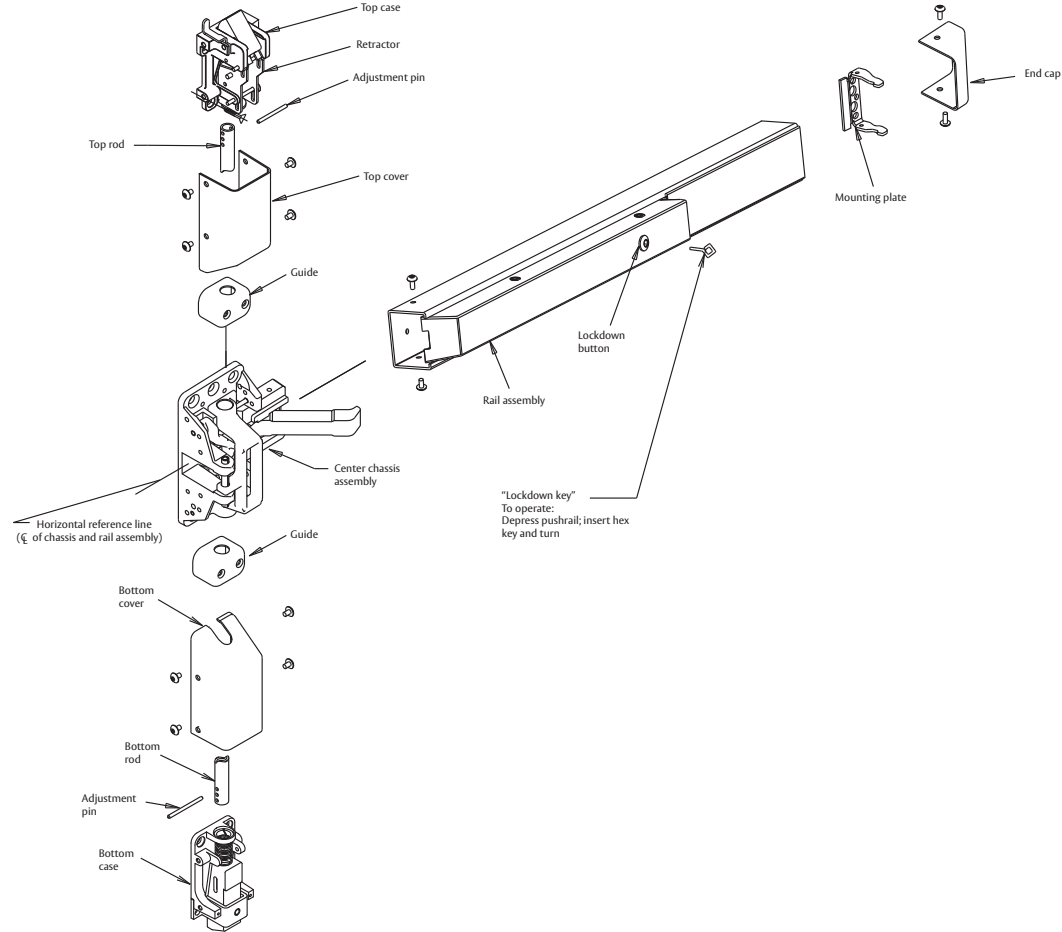
S1150 / S1250 Series

Vertical Rod Exit Device

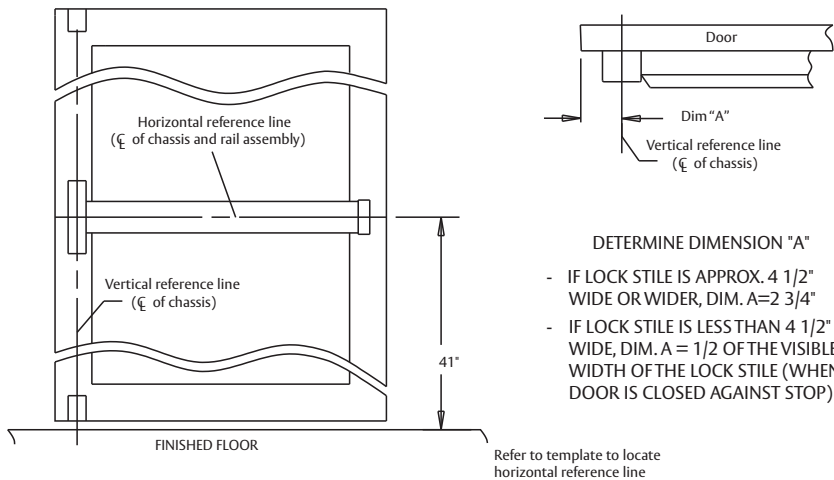
Installation Instructions



1 Product Overview



2 Mark Vertical and Horizontal Reference Lines on Door



1-800-327-8539 • www.arrowlock.com

Copyright © 2023, 2024, ASSA ABLOY Access and Egress Hardware Group, Inc. All rights reserved. Reproduction in whole or in part without the express written permission of ASSA ABLOY Access and Egress Hardware Group, Inc. is prohibited. Patent pending and/or patent www.assaabloydss.com/patents.

S1150 / S1250 Series

Vertical Rod Exit Device

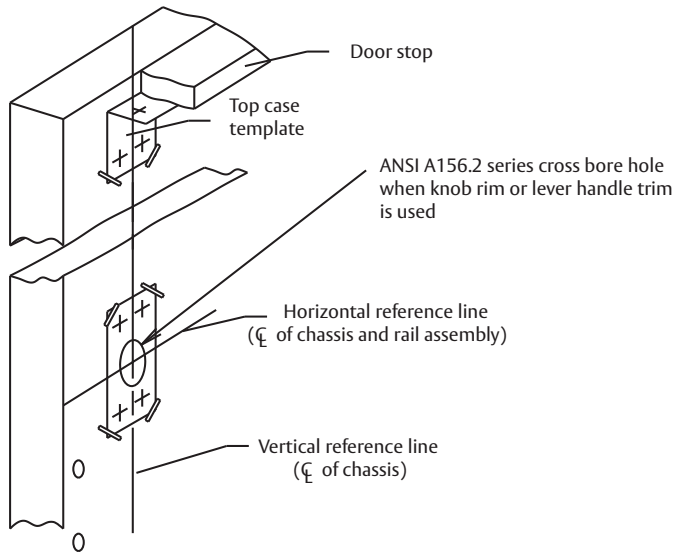


Installation Instructions

3 Prep Door

TAPE TEMPLATES ON INSIDE OF DOOR ALONG REFERENCE LINES WITH SUPPLIED TAPE

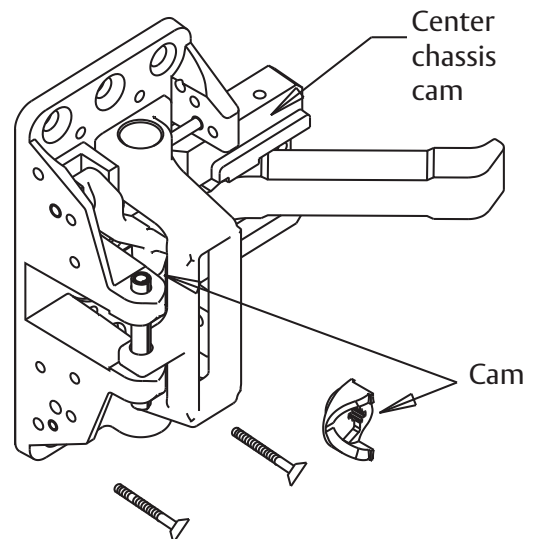
IF DOOR ALREADY HAS ANSI DOOR PREP (161 CUT-OUT) OR HAS 2-1/8" DIA. HOLE AT 2-3/4" BACKSET, POSITION TEMPLATE OVER EXISTING HOLE AND SPOT AND DRILL HOLES



4 Apply Hardware

For lever trim applications, see separate instruction sheet packed with trim.

NOTE: For exit only applications, remove and discard cam from center chassis for flush mounting. Attach chassis with four (4) #10 wood or machine screws.



F11-203-0302 10/24

1-800-327-8539 • www.arrowlock.com

Copyright © 2023, 2024, ASSA ABLOY Access and Egress Hardware Group, Inc. All rights reserved. Reproduction in whole or in part without the express written permission of ASSA ABLOY Access and Egress Hardware Group, Inc. is prohibited. Patent pending and/or patent www.assaabloydss.com/patents.

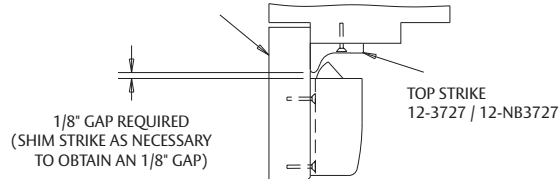
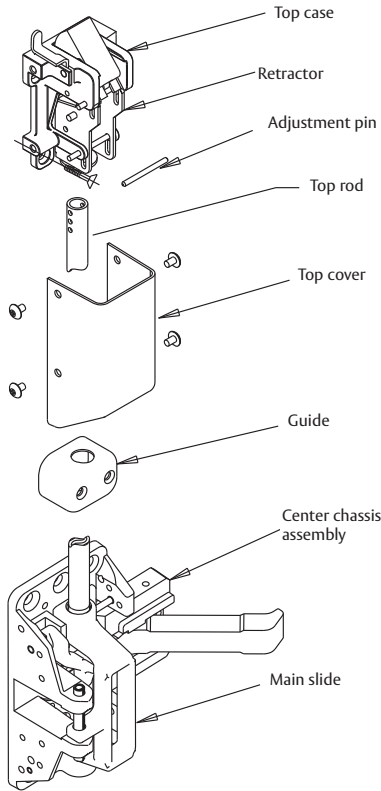
S1150 / S1250 Series

Vertical Rod Exit Device

Installation Instructions



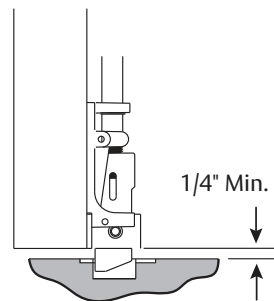
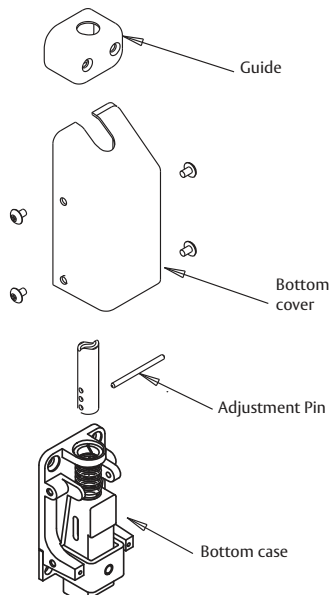
5 S1150 Install Top & Bottom Cases



12-3727

1. MOUNT TOP STRIKE ACCORDING TO LOCATION MARKED IN SECOND STEP. USE #10 STEEL SCREWS PROVIDED.
2. SCREW TOP ROD INTO MAIN SLIDE
3. ASSEMBLE TO TOP CASE BY INSERTING ADJUSTING PIN THROUGH RETRACTOR AND MIDDLE HOLE IN ROD. (SEE ILLUSTRATION AT LEFT). ADJUST SO THAT TOP CASE MOUNTING HOLES LINE UP WITH LOCATION MARKED IN SECOND STEP.
4. MOUNT BOTTOM CASE IN SAME MANNER AS TOP CASE. (SEE ILLUSTRATION BELOW FOR MORTISE OR SURFACE APPLIED STRIKE APPLICATIONS).
5. SECURE ROD GUIDES

NOTE: IF SHORTER RODS ARE REQUIRED, CUT TO LENGTH AND DRILL .125 / 1/8" DIA HOLE THROUGH.



F11-203-0302 10/24

1-800-327-8539 • www.arrowlock.com

Copyright © 2023, 2024, ASSA ABLOY Access and Egress Hardware Group, Inc. All rights reserved. Reproduction in whole or in part without the express written permission of ASSA ABLOY Access and Egress Hardware Group, Inc. is prohibited. Patent pending and/or patent www.assaabloydss.com/patents.

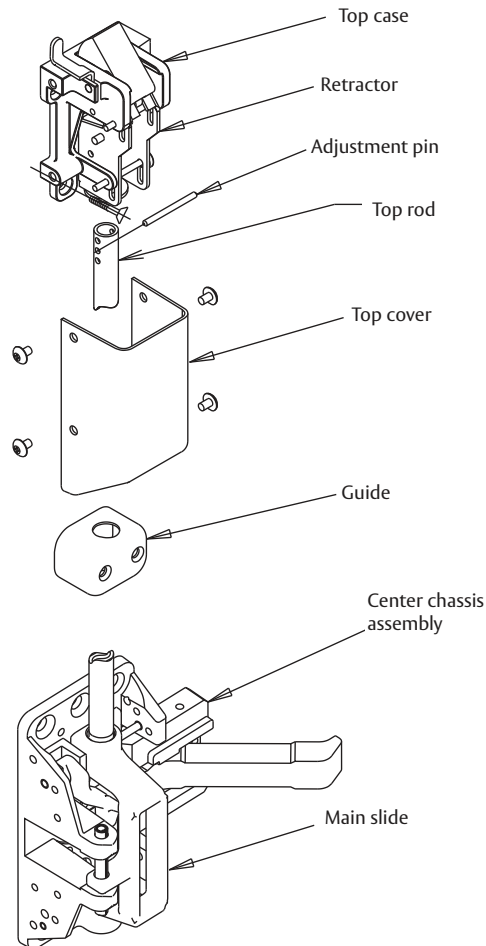
S1150 / S1250 Series

Vertical Rod Exit Device

Installation Instructions



6 S1250 Install Top Case



12-NB3727

1. MOUNT TOP STRIKE ACCORDING TO LOCATION MARKED IN SECOND STEP. USE FOUR (4) #10 STEEL SCREWS AND MORTISE NUTS IN THE FOUR CORNER MOUNTING HOLES ILLUSTRATED IN THE TOP CASE.
2. SCREW TOP ROD INTO MAIN SLIDE
3. ASSEMBLE TO TOP CASE BY INSERTING ADJUSTING PIN THROUGH RETRACTOR AND MIDDLE HOLE IN ROD (SEE ILLUSTRATION AT RIGHT). ADJUST SO THAT TOP CASE MOUNTING HOLES LINE UP WITH LOCATION MARKED IN SECOND STEP.

NOTE: IF SHORTER RODS ARE REQUIRED, CUT TO LENGTH AND DRILL .125 / 1/8" DIA THROUGH HOLES

F11-203-0302 10/24

1-800-327-8539 • www.arrowlock.com

Copyright © 2023, 2024, ASSA ABLOY Access and Egress Hardware Group, Inc. All rights reserved. Reproduction in whole or in part without the express written permission of ASSA ABLOY Access and Egress Hardware Group, Inc. is prohibited. Patent pending and/or patent www.assaabloydss.com/patents.

S1150 / S1250 Series

Vertical Rod Exit Device

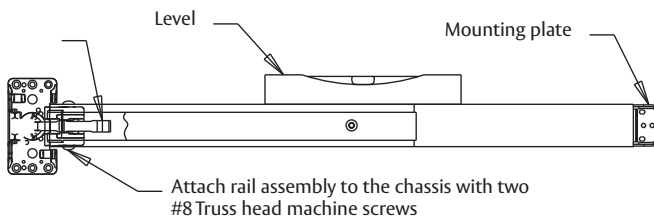
Installation Instructions



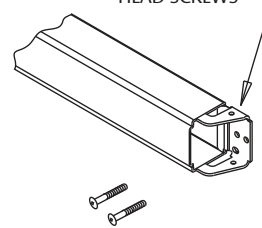
7 Install Rail Assembly

- CHECK BOX LABEL

(A) DEPRESS ARM INTO RAIL OPENING AND SLIDE RAIL ONTO CHASSIS. LEVEL RAIL AND FASTEN MOUNTING PLATE

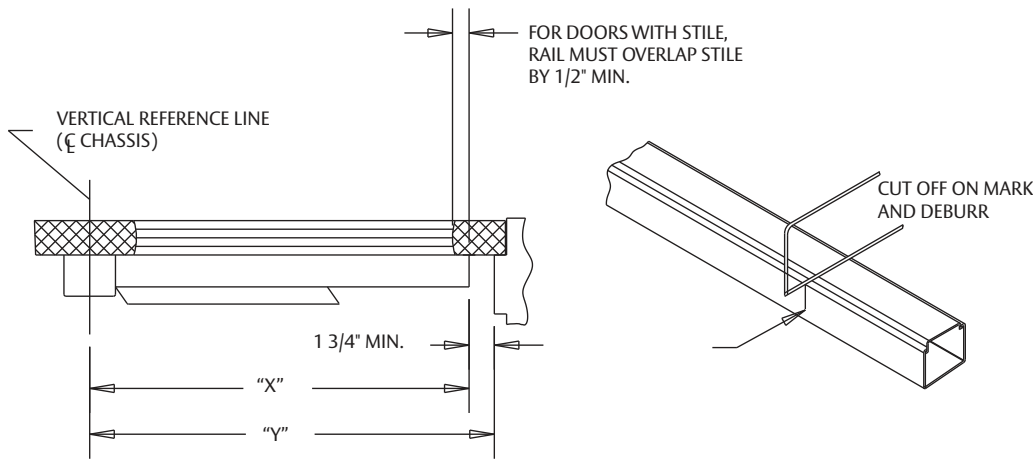


PLACE MOUNTING PLATE TIGHT AGAINST RAIL AND ATTACH IT TO THE DOOR WITH TWO #10 ROUND HEAD SCREWS



Rail Cutting Instructions

(B) DETERMINE CUT OFF DIMENSION "X" BY SUBTRACTING 1-3/4" FROM DIMENSION "Y"



F11-203-0302 10/24

1-800-327-8539 • www.arrowlock.com

Copyright © 2023, 2024, ASSA ABLOY Access and Egress Hardware Group, Inc. All rights reserved. Reproduction in whole or in part without the express written permission of ASSA ABLOY Access and Egress Hardware Group, Inc. is prohibited. Patent pending and/or patent www.assaabloydss.com/patents.

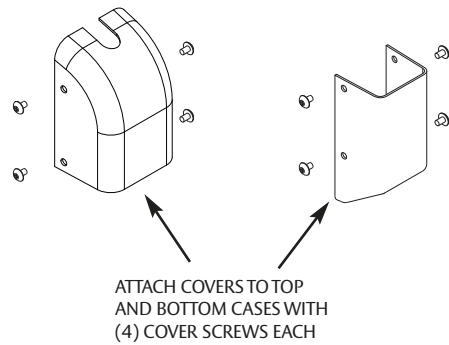
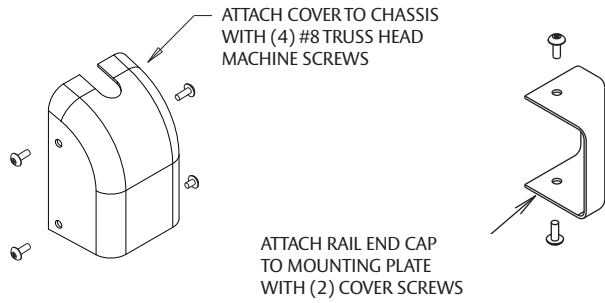
S1150 / S1250 Series

Vertical Rod Exit Device

Installation Instructions



8 Apply Covers



The ASSA ABLOY Group is the global leader in access solutions. Every day we help people feel safe, secure and experience a more open world.



Arrow
225 Episcopal Road
Berlin, CT 06037-4004

1-800-327-8539 • www.arrowlock.com

Copyright © 2023, 2024, ASSA ABLOY Access and Egress Hardware Group, Inc. All rights reserved. Reproduction in whole or in part without the express written permission of ASSA ABLOY Access and Egress Hardware Group, Inc. is prohibited. Patent pending and/or patent www.assaabloydss.com/patents.

F11-203-0302 10/24

Experience a safer
and more open world