



ASSA ABLOY

Experience a safer
and more open world



ED910 Series Exit Devices



ED910 Series Exit Devices



PROFESSIONAL REPLACEMENT PRODUCT

ASSA ABLOY

Features:

- **Chassis** - Stamped steel materials.
- **Chassis Cover** - Cast zinc.
- **Door Type** - Fits 1 3/4" (44.5mm) doors standard.
- **Door Width** - For 48" doors, can be cut for a minimum 43" door width. For 36" doors, can be cut for a minimum 31" door width.
- **Stile** - 4-1/2" (114.30mm) minimum.
- **Mounting** - Wood and machine screws furnished standard.
- **Handing** - Reversible.
- **Dogging** - Hex-type hold down.
- **Latchbolt** - Stainless Steel.
- **Rail Assembly** - Powder coated steel, stainless steel optional.
- **Packaging** - 4 units per master carton.
- **Strike** - Surfaced applied, nylon coated.

The Arrow ED910 Series Door Closer is a value exit device for everyday solutions. Ideal for high traffic or high vandalism areas, is BHMA Grade One certified and designed to replace or upgrade existing devices. Available with an extended 10-year warranty.



Finishes:

BHMA	Arrow Code	Finish Description	
689	AL	Aluminum (sprayed finish)	
630	32D	Satin Stainless Steel	
613E	10BE	Dark Oxide Bronze Equivalent	

Certification & Compliance:

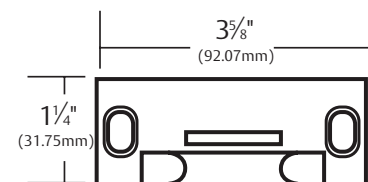
- ANSI/BHMA A156.3, Grade 1
- Underwriters Laboratories (UL and CUL) Listed for accident hazard (panic) standard.
- All exit devices comply with life safety code NFPA 101



For 36" Door Widths:

Part No.	Description
ED910-36.AL	Aluminum Finish (sprayed)
ED910-36.32D	Satin Stainless Steel Finish
ED910-36.613E	Dark Bronze Finish (sprayed)

ES90 Strike:



For 48" Door Widths:

Part No.	Description
ED910-48.AL	Aluminum Finish (sprayed)
ED910-48.32D	Satin Stainless Steel Finish
ED910-48.613E	Dark Bronze Finish (sprayed)

Parts:

Part No.	Description
ES90	Strike Pack
ES9-201	Screw Pack
ES9CAP.AL	End Cap (aluminum)
ES9CAP.613E	End Cap (dark bronze)

WARNING

This product can expose you to lead which is known to the state of California to cause cancer and birth defects or other reproductive harm. For more information go to www.P65warnings.ca.gov.

ED910 Series Exit Devices

PROFESSIONAL REPLACEMENT PRODUCT

ASSA ABLOY

Exit Device Trim:

Matching trim available to complement: cylindrical locks, mortise locks, exit devices, and alarms.

Functions:

- **Passage** - Trim always operative.
- **Storeroom** - Key retracts latch, key removable only when trim is locked.
- **Classroom** - Key locks/unlocks trim.

Finish:

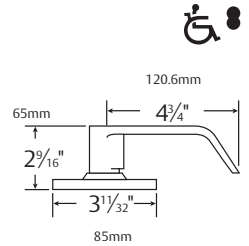
- **Knobs** - US3, US4, US10, US10B, US26D.
- **Levers** - USD26D, US10B.
- **Plate** - AL, BRZ.

Ordering Information:

Trim Type	Passage	Storeroom	Classroom
Lever	SRX01	SRX82	SRX87
Ball Knob	BD01	BD12	BD17
Tudor Knob	TA01	TA12	TA17

Trim Type	Blank Plate	Dummy Pull	Storeroom Plate
Plate	SF01	SF02	SF12

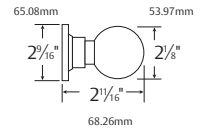
Lever Trim:



Knob Trim:

Ball BD

Knob: B Wrought
Rose: D Wrought



Tudor TA

Knob: T Wrought
Rose: A Wrought

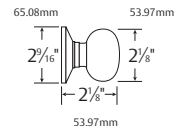
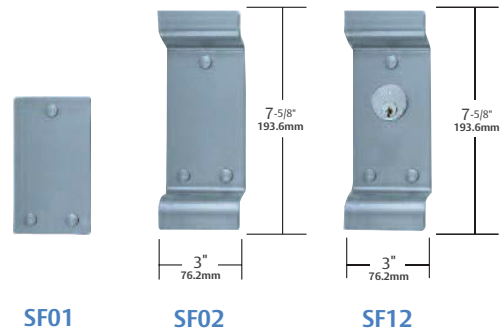


Plate Trim:



This product can expose you to lead which is known to the state of California to cause cancer and birth defects or other reproductive harm. For more information go to www.P65warnings.ca.gov.

Available for small format interchangeable core.

The ASSA ABLOY Group is the global leader in access solutions. Every day, we help billions of people experience a more open world.

ASSA ABLOY Opening Solutions leads the development within door openings and products for access solutions in homes, businesses and institutions. Our offering includes doors, frames, door and window hardware, mechanical and smart locks, access control and service.



ASSA ABLOY

Arrow Lock & Door Hardware
225 Episcopal Road
Berlin, CT 06037
Customer Service: 1-800-327-8539
Technical Product Support: 1-800-327-8539 X2
www.arrowlock.com