

ASSA ABLOY

Experience a safer
and more open world

D Series Deadbolt



D Series Deadbolts



PREMIER PRODUCT

ASSA ABLOY

General Specs:

- **Housing** – Two-piece housing, with free-spinning outer ring to prevent wrenching. Concealed mounting screws are standard on double cylinder functions.
- **Deadbolt** – 1" (25.40mm) throw, solid steel deadbolt with hardened, free spinning, steel pin insert.
- **Backset** – 2-3/8" (60.32mm), 2-3/4" (69.85mm).
- **Deadbolt fronts** – 2-1/4" (57.15mm) x 1" (25.40mm) standard for 2-3/8" (60.32mm) backset, 2-1/4" (57.15mm) x 1-1/8" (28.57mm) standard for 2-3/4" (69.85mm) backset. Drive-in deadbolts are available.
- **Doors** – 1-3/8" (34.925mm) to 1-3/4" (44.45mm) thick standard. Thick door kits available up to 2-1/4" (57mm).
- **Strikes** – Supplied standard with #395 strike kit. (Includes #346 metal frame strike and #345 wood frame strike).
- **Handing** – All functions are reversible.
- **Cylinder** – Standard: Solid brass, 6-pin cylinder. Supplied with two nickel silver keys.
Options: Arrow A or sectional keyways, Schlage® C keyway, master keying, prep for small format interchangeable core cylinder (cylinder not included).

Arrow D Series deadlocks are engineered to perform under the most extreme conditions where security is critical. Our Grade 1 extra heavy duty deadlock surpasses the demands of industrial, institutional and commercial applications.

Certification & Compliance:



- ANSI/BHMA A156.36 - 2020 Auxiliary Locks, Grade 1
- Underwriters Laboratories (UL and CUL) listed for use on 20 minute fire doors when used in conjunction with a rated primary latching device

Finishes:

| BHMA | U.S. Equivalent | Arrow Code | Finish Description | |
|------|-----------------|------------|-------------------------------|--|
| 605 | US3 | 03 | Bright Brass | |
| 606 | US4 | 04 | Satin Brass | |
| 609 | US5 | 05A | Antique Brass | |
| 612 | US10 | 10 | Satin Bronze | |
| 613 | US10B | 10B | Dark Oxide Bronze, Oil Rubbed | |

| BHMA | U.S. Equivalent | Arrow Code | Finish Description | |
|------|-----------------|------------|-------------------------------|--|
| 613E | 613E | US10BE | Dark Oxide Bronze, Equivalent | |
| 625 | US26 | 26 | Bright Chromium Plated | |
| 626 | US26D | 26D | Satin Chromium Plated | |
| — | — | BSP | Black Suede Powder Coat | |

WARNING

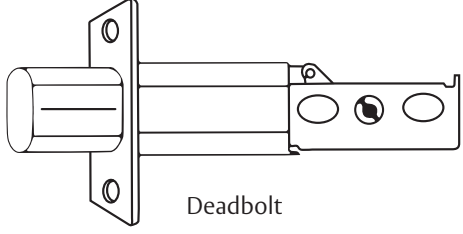
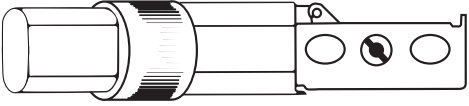
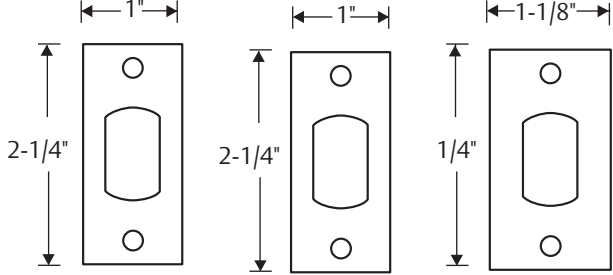
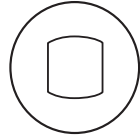
This product can expose you to lead which is known to the state of California to cause cancer and birth defects or other reproductive harm. For more information go to www.P65warnings.ca.gov.

D Series Deadbolts

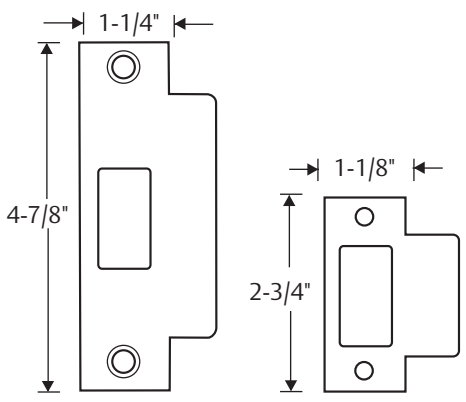
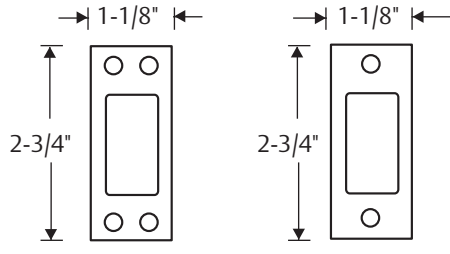
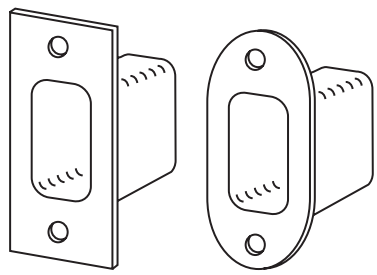
PREMIER PRODUCT

ASSA ABLOY

Deadbolts:

| | | | | | | | | | | | |
|---|---|--------|------|--------|--------|--------|---|------|------|--------|--------|
|  <p>Deadbolt</p> |  <p>Drive-In Deadbolt</p> | | | | | | | | | | |
|  <p>Part No. Backset</p> <table border="0"> <tr> <td>#141</td> <td>#142</td> <td>#144</td> </tr> <tr> <td>2-3/8"</td> <td>2-3/4"</td> <td>2-3/4"</td> </tr> </table> | #141 | #142 | #144 | 2-3/8" | 2-3/4" | 2-3/4" |  <table border="0"> <tr> <td>#145</td> <td>#146</td> </tr> <tr> <td>2-3/8"</td> <td>2-3/4"</td> </tr> </table> | #145 | #146 | 2-3/8" | 2-3/4" |
| #141 | #142 | #144 | | | | | | | | | |
| 2-3/8" | 2-3/4" | 2-3/4" | | | | | | | | | |
| #145 | #146 | | | | | | | | | | |
| 2-3/8" | 2-3/4" | | | | | | | | | | |

Strikes:

| | | |
|--|---|--|
|  <p>#347 ASA</p> <p>#350 T</p> |  <p>#345 (for wood doors)</p> <p>#346 (for metal doors)</p> |  <p>BX91D (D Series)</p> <p>BX91 (E Series)</p> |
|--|---|--|

Parts:

Thick Door Pack – For doors 2-1/4" thick

D Series Deadbolts



PREMIER PRODUCT

ASSA ABLOY

D, E, DBX Series Deadbolts:

| GRADE 1 | | | GRADE 2 | | | FUNCTION | OPERATION | |
|------------|-------|--|------------|-------|---|--|---|------------------------------|
| ARROW CODE | BHMA | | ARROW CODE | BHMA | | | INSIDE | OUTSIDE |
| D60 | E0111 | | E60 | E0112 | | Exit | Turnpiece Retracts & Projects Bolt | Blank Plate |
| D61 | E0151 | | E41 | E0152 | | Single Cylinder | Turnpiece Retracts & Projects Bolt | Key Retracts & Projects Bolt |
| | | | E61 | | | | | |
| | | | DBX61 | | | | | |
| D62 | E0141 | | E42 | E0142 | | Double Cylinder | Key Retracts & Projects Bolt | Key Retracts & Projects Bolt |
| | | | E62 | | | | | |
| | | | DBX62 | | | | | |
| D63 | E0161 | | E63 | E0162 | | Single Cylinder | Blank Plate | Key Retracts & Projects Bolt |
| D64 | E0171 | | E64 | E0172 | | Classroom | Turnpiece Retracts Bolt But Does Not Project Bolt | Key Retracts & Projects Bolt |
| D71-IC | E0151 | | E71-IC | E0152 | | Single Cylinder With Concealed Mounting Screws (IC Only) | Turnpiece Retracts & Projects Bolt | Key Retracts & Projects Bolt |
| D73-IC | E0161 | | — | — | — | Single Cylinder With Concealed Mounting Screws (IC Only) | Blank Plate | Key Retracts & Projects Bolt |
| D74-IC | E0171 | | E74-IC | E0172 | | Classroom With Concealed Mounting Screws (IC Only) | Turnpiece Retracts Bolt But Does Not Project Bolt | Key Retracts & Projects Bolt |

D Series Deadbolts



PREMIER PRODUCT

ASSA ABLOY

How To Order:

How to Order D Series Deadbolt:

Example: To order a D Series Single Cylinder Deadbolt, Satin Chromium Plated finish, 1-1/8" x 2-3/4" square corner two-hole metal strike, a 2-3/4" backset with 1-1/8" square corner latch, AR cylinder keyway, keyed different.

Specify:

| Series | Function | Finish | Strike | Bolt | Cylinder Keyway | Keying Cylinder |
|--------|----------|--------|--------|------|-----------------|-----------------|
| D | 61 | 26D | 346 | 144 | AR | KD |

The ASSA ABLOY Group is the global leader in access solutions. Every day, we help billions of people experience a more open world.

ASSA ABLOY Opening Solutions leads the development within door openings and products for access solutions in homes, businesses and institutions. Our offering includes doors, frames, door and window hardware, mechanical and smart locks, access control and service.



ASSA ABLOY

Arrow Lock & Door Hardware
225 Episcopal Road
Berlin, CT 06037
Customer Service: 1-800-327-8539
Technical Product Support: 1-800-327-8539 X2
www.arrowlock.com