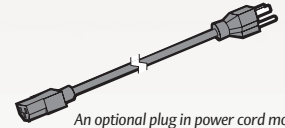
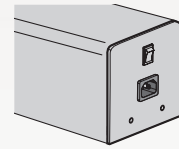


7700 Powered Door Operator

Classic Product


The Arrow 7700 Series offers functionality and control at an affordable price. Ideal for retrofit applications, the 7700 Series converts interior, non-fire rated doors for ADA compliance easily and affordably while providing a simple way to achieve touchless environments in public restrooms. Available for push or pull mounting, this unit can be operated manually or activated by wall switches, or radio frequency devices. Easy to install, set-up and adjust, the 7700 Series is perfect for ADA-compliant offices, classrooms and dorm rooms, and touch free applications like public restrooms, labs and examination rooms.



An optional plug in power cord model can be ordered. Plug in plate will be installed to the 7700 series by the factory.

Compliance:

- ANSI / BHMA A156.19 certified
- ETL certified; conforms to ANSI/UL standard 325 for automatic closing doors
- Comply with requirements for the Americans with Disabilities Act (A.D.A.)
- This product is manufactured in an ISO 9001, ISO 14001 facility
- UL certified environmental product declaration

 Look for the universal symbol next to Arrow products that comply with ADA accessibility requirements.

Features:

- Push or pull side mounting
- Non-handed
- Quiet operation
- Electrically controlled backcheck, sweep and latch
- Activation options: wall switches, radio frequency devices
- Ease of installation and set-up
- Onboard 24VDC (1.1A) power supply for accessories
- Door closer mode for manual usage
- Electronic motor dampening - provides feel of high performance, manual door closer
- Electric hardware and access control interface
- 1-year limited warranty

Functions:

- Adjustable Hold Open
 - Amount of time a door will stay in the full open position after an activation
- Executive Mode Feature
 - When door receives activation signal it opens and remains open until either a second signal is received or door is manually moved in closing direction
- Obstruction Detection
 - Motor stops if door is obstructed during opening; door will rest against obstruction

- On/Off Switch
 - Disables operator activation
- Open Delay
 - Delays operator opening for locking hardware
- Overload Safety Shut-Off
 - After 2 minutes of receiving a door activation signal, inverter times out and door closes
 - Prevents motor/inverter damage
- Push & Go
 - As the door is manually opened, the operator “senses” movement and opens door to the full-open position

Electrical Data:

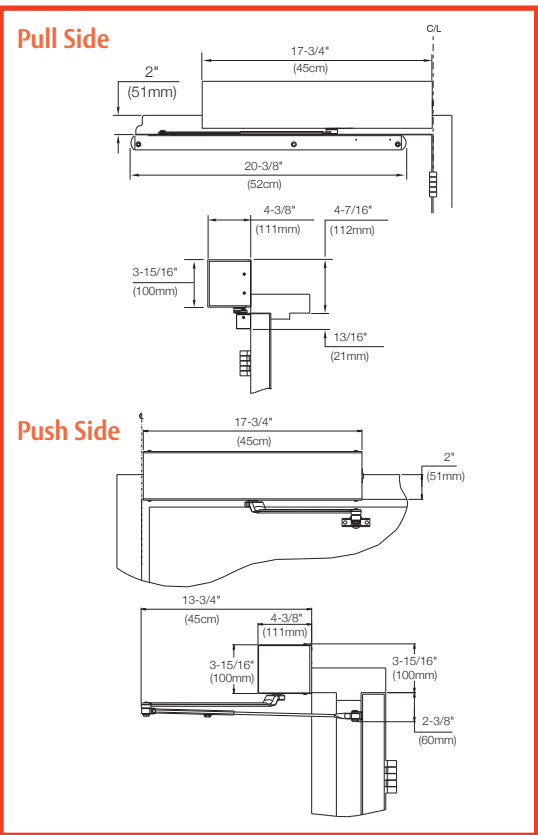
- Power Input; 120 VAC, 60Hz
- Current Draw: 0.6A
- Relay Output: SPDT
 - Normally open/normally closed (jumper)
 - For electric strike function

Finishes:

- Aluminum (689), Specify AL
- Dark Bronze (690), Specify DB

The 7700 series requires hard wired installation with standard electric power. An optional plug in power cord model can be ordered (factory installed only) and will simply plug into a code compliant 120 VAC power receptacle.

Radio frequency can also be ordered as an additional feature for convenience. See the parts reference chart and ordering requirements for more information.



ASSA ABLOY

Experience a safer and more open world

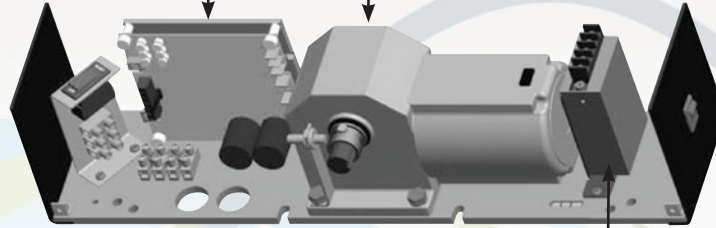
7700 Powered Door Operator

Classic Product

Internal Components & Mechanism:

Inverter
7710IN

Motor Assembly
7710MA



Power Supply
7710PS

Cover
7710COV



Accessories:



7800SW2,
7800SW3

Push Door Switches

- 6" width x 6" height
- 9 volt battery
- 15 amp @ 125VAC
- Flush or surface mounted
- Stainless steel with blue letters
- 7800SW1, 7800SW2 Radio frequency (433MHz). Used with RF1 option and 7710RK Radio Frequency Kit.
- 7800SW1, 7800SW2 – hard wired*



7800SW1,
7800SW4

* Switches may also be installed with single or double gang electrical box using fasteners included.



7710SW5

Touchless Wall Switch

- Single gang and double gang packaged together
- Sensor requires movement for activation
- Variable relay – hold time from 0 – 35 seconds
- Range 0" to 4"
- Dimensions:
 - 3" W x 4-3/4" H (single)
 - 4-1/2" W x 4-1/2" H (double)

Radio Frequency Receiver

- Radio Frequency Receiver (433 MHz)
- Activation switches not included.



7710RK

Replacement Power Cord

18" power cord. This replacement can be ordered if the original is lost or damaged.



7710PC

Experience a safer
and more open world

ARROW
LOCK & DOOR HARDWARE

ASSA ABLOY

7700 Powered Door Operator

Classic Product

How to order the 7700 Series

Ordering Example:

Quantity	Part Number	Finish
20	7710	• AL

7700 Series Powered Door Operator

Mount Application	Radio Frequency	1 Touchless Wall Switch	Part Number
Push Side of Door	✓		7730.AL
Push Side of Door	✓		7730.DBZ
Push Side of Door with Radio Frequency	✓	✓	7730RF1.AL
Push Side of Door with Radio Frequency	✓	✓	7730RF2.DBZ
Push Side of Door with Power Cord		✓	7730PC.AL
Push Side of Door with Power Cord		✓	7730PC.DBZ
Push Side of Door with Radio Frequency & Power Cord	✓	✓	7730PRF1.AL
Push Side of Door with Radio Frequency & Power Cord	✓	✓	7730PRF2.DBZ
Pull Side of Door			7710.AL
Pull Side of Door			7710.DBZ
Pull Side of Door with Radio Frequency	✓		7710RF1.AL
Pull Side of Door with Radio Frequency	✓		7710RF2.DBZ
Pull Side of Door with Power Cord.....			7710PC.AL
Pull Side of Door with Power Cord.....			7710PC.DBZ
Pull Side of Door with Radio Frequency & Power Cord	✓		7710PRF1.AL
Pull Side of Door with Radio Frequency & Power Cord	✓		7710PRF2.DBZ

Accessories

Description	Radio Frequency	Switch Displays Handicap Icon	Part Number
Door Switch – 6" x 6", Radio Frequency, ADA Symbol	✓	✓	7800SW2
SPDT Door Switch – 6" x 6", Hard Wired			7800SW4
Door Switch – 6" x 6", Radio Frequency.....	✓		7800SW1
SPDT Door Switch – 6" x 6", Hard Wired, ADA Symbol.....		✓	7800SW3
Touchless Wall Switch			7710SW5
Radio Frequency (RF1) Kit	✓		7710RK

Parts

Description	Part Number
Screw Pack	7710SP

Complete Units, Specify Finish AL or DBZ.

Experience a safer
and more open world