

3080

Series Entry Trim

The 3080 Series Entry Trim provides outside activation for doors with any type of Adams Rite exit device and deadlatch. The locked handle is protected from vandalism and forced entry with a breakaway clutching mechanism.

Function

The **3080 Series** provides outside activation of doors that have any type of Adams Rite exit device or deadlatch. Breakaway clutching mechanism protects the locked handle from vandalism or forced entry, in either direction. All models share the same core components, so levers can be changed without having to replace the entire trim.

The **3080E Electrified Entry Trim** is a continuous duty solenoid operated device that will allow the lever handle to be turned to unlatch the exit device when power is applied. When there is no power input, the handle is locked in place and the exit device remains latched. This electrified entry trim works with a card reader, keypad or a push button and is designed for entry door, stairwell and fire door applications.



Aluminium

Hollow
Metal

Wood

Electrified
Option

Features

Handle

The 3080-01, -02, and -03 levers are designed to return within 1/2" [12.7 mm] of the door face. The designer levers in this series do not have this same feature. Please verify local code requirements to ensure compliance.

Mortise Cylinder

May be ordered with or without a hole for standard 1" [25.4 mm] length, 1-5/32" [29.4 mm] diameter cylinder with MS® Cam, available separately. See Cylinders & Accessories section for more cylinder information.

Standard Package

Individually boxed with mounting hardware.

Shipping weight

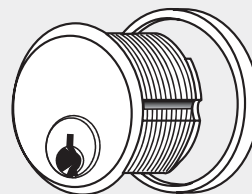
3 lbs [1.36 kg].

Options




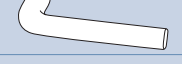
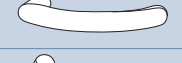

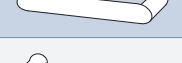
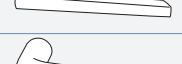
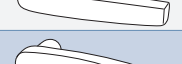


- Can be ordered with or without a hole for cylinder. Order standard mortise cylinder with MS® cam separately.
- Tactile strip available as a kitted option for standard levers 01 and 03. Order Tactile Strip Kit 91-0118 separately.
- Order 4603 Rectifier, 4605/4606 Transformer or PS-1 Power Supply separately.
- Available in choice of US3 (605) Bright brass, US4 (606) Satin brass, 10B powder coat to match dark bronze, US32 (629) Bright stainless, or US32D (630) Satin stainless.

Product Note

Adams Rite recommends that for optimal security the 3080 and 3080E Series Entry Trim is used in conjunction with Medeco high security cylinders, when a cylinder is required by the application.

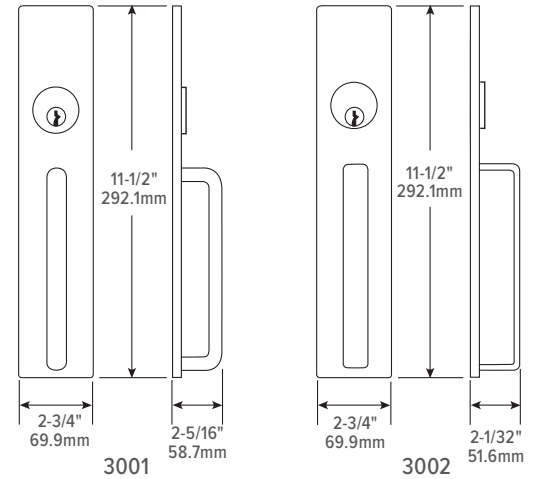


Options & Accessories

	OPTION	DESCRIPTION
	Standard Series 01	Standard lever, curved
	Standard Series 02	Standard lever, round
	Standard Series 03	Standard lever, square
	Aventura Series ME	Studio Collection designer lever
	Aventura Series MG	Studio Collection designer lever
	Aventura Series MI	Studio Collection designer lever
	Aventura Series MW	Studio Collection designer lever
	Centro Series MD	Studio Collection designer lever
	Centro Series MJ	Studio Collection designer lever
	Odeon Series MN	Studio Collection designer lever
	Odeon Series MV	Studio Collection designer lever

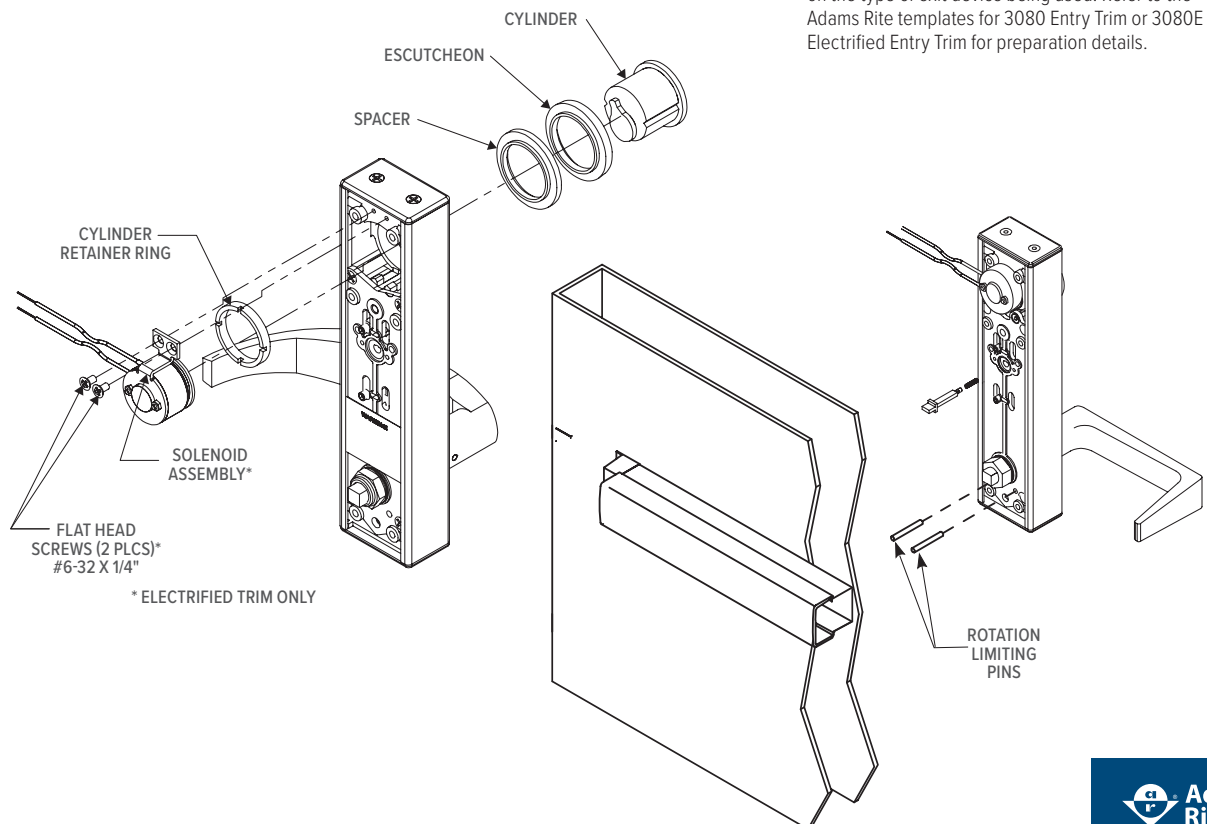
3000 Fixed Pulls

3001, 3002 Fixed Pulls: US32D (630)
Satin Stainless Steel pulls have 2-3/4" x 11-1/2" [69.9 mm x 292.1 mm] escutcheon. Order with or without cylinder holes. For hollow metal and wood doors only.



Door Preparation & Trim Installation

Door prep and installation will differ depending on the type of exit device being used. Refer to the Adams Rite templates for 3080 Entry Trim or 3080E Electrified Entry Trim for preparation details.



* ELECTRIFIED TRIM ONLY

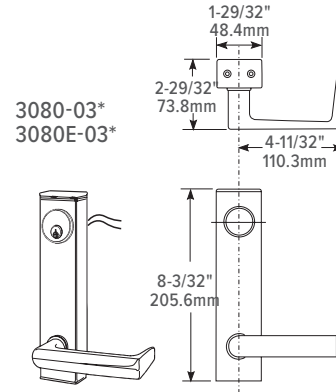
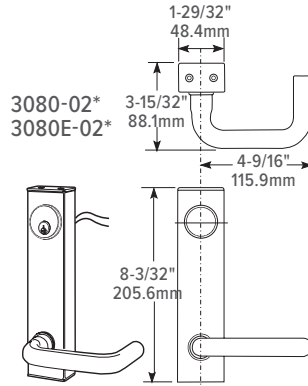
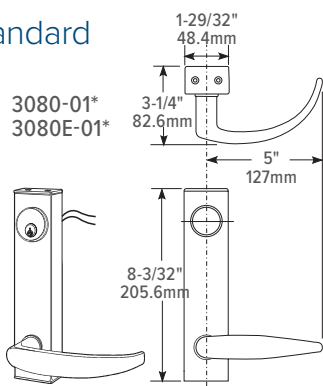
All measurements are approximate and are provided for informational purposes only. Refer to the product Installation Instructions.

Lever Dimensions

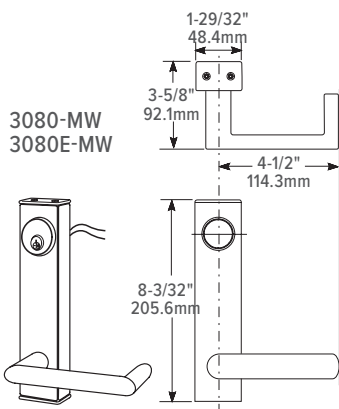
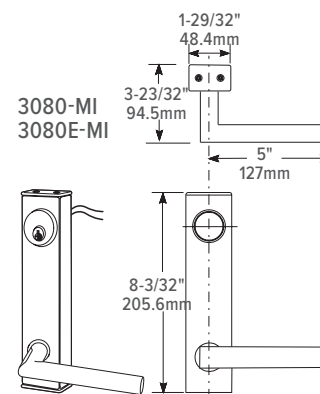
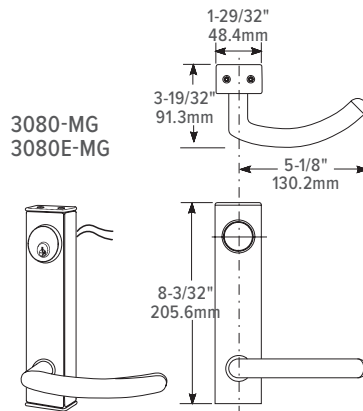
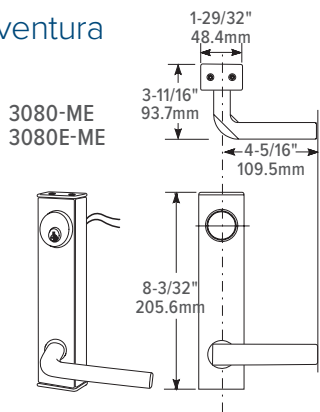
* The 3080-01, -02, and -03 lever handles are designed to return within 1/2" of the door face. Handles in the Designer Series do not have this same feature. Please verify with local code requirements to ensure compliance.

** Handed

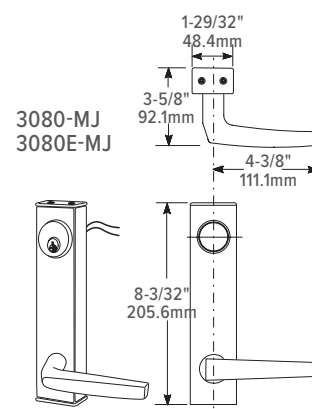
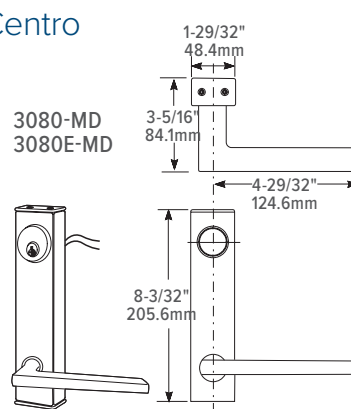
Standard



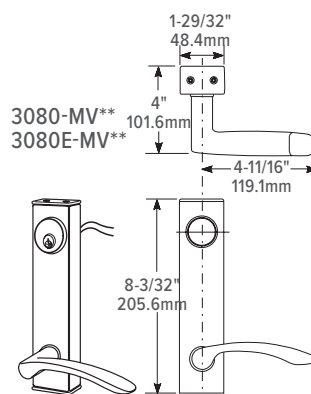
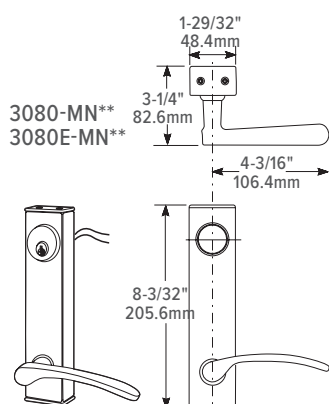
Aventura



Centro



Odeon



How to Order, Related, & Compatible Products

3080 Series Entry Trim: Specify quantity and the following information. Order related products separately.

MODEL	ELECTRIFIED	HANDLE	HANDING*	CYLINDER HOLE	EXIT DEVICE	VOLTAGE	FEATURES	TRIM COVER FINISH	FINISH
3080	E	-01	-0	-3	7	-3	0	M	US32D
	(blank) Standard	STANDARD HANDLES	0 No Handing	3 With Hole	1 SVR	Electrified Trim Only	Electrified Trim Only	- Standard (Black)	US3 Bright Brass
	E Electrified Trim	01 Curve	7 RHR	9 Without Hole	3 Mortise	3 12 Volt DC	0 Fail-Secure	M Matching Finish	US4 Satin Brass
		02 Round	8 LHR		4 SCVR	5 24 Volt DC	5 Fail-Safe		10B to match Dark Bronze
		03 Square			6 CVR				US32 Bright Stainless
		DESIGNER SERIES			7 Rim				US32D Satin Stainless
		MD	MJ		U Universal Kit				
		ME	MN* (Handed)						
		MG	MV* (Handed)						
		MI	MW						

*Handing must be specified for MN and MV Designer Levers.

3000 Fixed Pulls: Specify quantity and the following information. Order related products separately.

MODEL	HANDLE	CYLINDER HOLE	EXIT DEVICE	FINISH
300	1	-1	1	-US32D
	1 Round	1 Without Hole	1 Mortise, Rim	US32D Satin Stainless
	2 Flat	2 With Hole	2 CVR	
			3 SVR	

NOTE: 3000 is not for use with the following narrow stile exit devices: 8200 SVR, 8400 Mortise, 8600 CVR, 8800 Rim

RELATED PRODUCTS

When purchasing this product, please consider the following related products, available separately:

CYLINDERS	POWER
Standard 1" to 1-1/4" length, 1-5/32" diameter mortise cylinder with MS® cam such as 4036 Mortise Cylinder	PS-1 Power Supply, 4605, 4606 Transformer, 4603 Rectifier, 4612 Power Transfer Device

COMPATIBLE PRODUCTS

DEADLATCHES	EXIT DEVICES
4900, 4920AN Series Deadlatches, 4781 Two Point Deadlatch with paddle	8100, 8200 SVR, 8300, 8400 Mortise, 8500, 8600 CVR, 8700, 8800 Rim, 8900 SCVR Exit Devices