

DC52900 Series

ELECTROMECHANICAL CLOSER/HOLDER CATALOG



Table of Contents

Introduction, Features, Benefits.....	3
Certifications, Electrical Information, Explanation of Features.....	4
Applications.....	5
Parts List, Accessories.....	6
How To Order.....	7
Specifications.....	8

 **WARNING**

This product can expose you to lead which is known to the state of California to cause cancer and birth defects or other reproductive harm. For more information go to www.P65warnings.ca.gov.

Introduction, Features, Benefits

INTRODUCTION

The Corbin Russwin DC52900 Electromechanical Closer/Holder is a versatile, high-performance solution that seamlessly combines the functions of a single-point electromechanical door holder with the precision of a cam-action door closer. This closer/holder delivers exceptional opening efficiency while maintaining reliable closing force — making it ideal for environments where ease of use and life safety are critical. Designed for flexibility, this closer/holder can be installed on single or double door applications and integrates easily with UL-listed detection equipment such as ceiling-mounted smoke detectors, pull stations, and remote alarm panels.



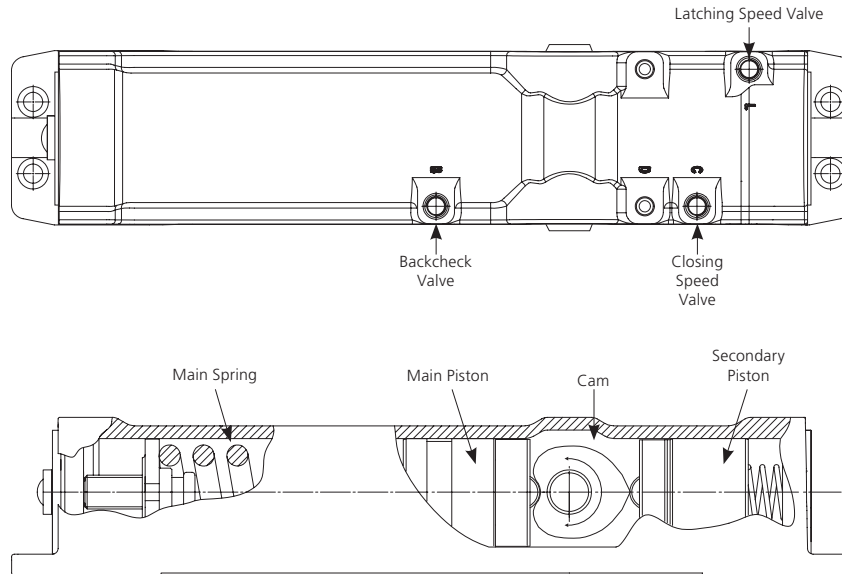
FEATURES

- Selective single-point hold open
- Cast aluminum body
- Adjustable door closer spring size 1 through 6
- Door weight up to 250 lbs.
- Push and pull side mounting (closer mounted on door)
- Standard separate and independent latch, sweep and backcheck intensity valves
- Additional floor or wall stop is recommended
- Voltage: 24VDC
- Concealed or surface wiring
- Non-handed
- Adjustable hold open range:
 - Pull side: 70° - 120°
 - Push side: 70° - 115°
- 2-year limited warranty



BENEFITS

- One model – two mounting options
- Easy open
- Reliable closing
- Forward facing valves
- High efficiency
- Ideal for low ceiling clearance applications
- Installation based on the door angle needed

Certifications, Electrical, Explanation of Features



CERTIFICATIONS

- ANSI/BHMA A156.15 
- Trade Agreement Act (TAA)
- UL10C positive pressure up to 3 hours 
- cULus listed

ELECTRICAL INFORMATION

Operating Voltage – 24VDC
Amperage Draw – 60mA

EXPLANATION OF FEATURES

Selective Single-Point Hold Open

The DC52900 has one template position. The single-point hold open position is selected by moving the hold open solenoid assembly in the track. Hold open ranges from 70°-120° for pull side mounting and 70°-115° for push side mounting.

Non-Handed

Units can be mounted on left or right hand doors and on the push or pull side of the door. (Note: push side requires the use of a bracket for the track assembly - bracket included with all units.)

Voltage

Must be 24VDC

Fail Safe

In the even of a power outage, the solenoid will be de-energized and the closer/holder will then operate as a normal door closer.

Wiring Options

Both pull and push side applications will accommodate either concealed or surface wiring. The hook-up box will accommodate 1/2" (13mm) conduit. The hook-up box sides / base and hook-up box cover are prepared for surface and concealed wiring.

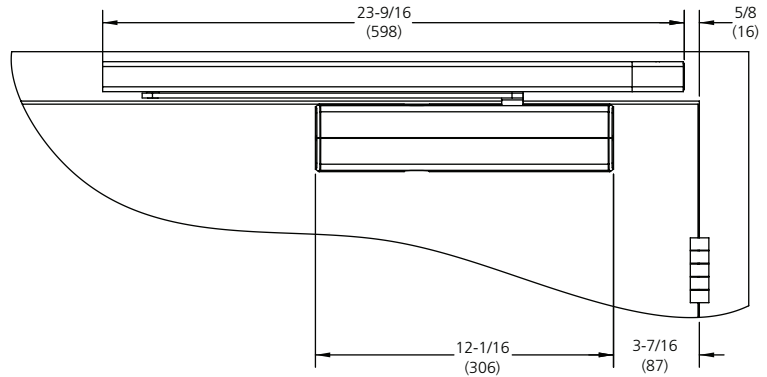
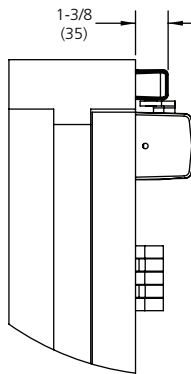
Applications

STANDARD APPLICATIONS



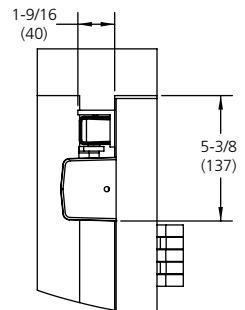
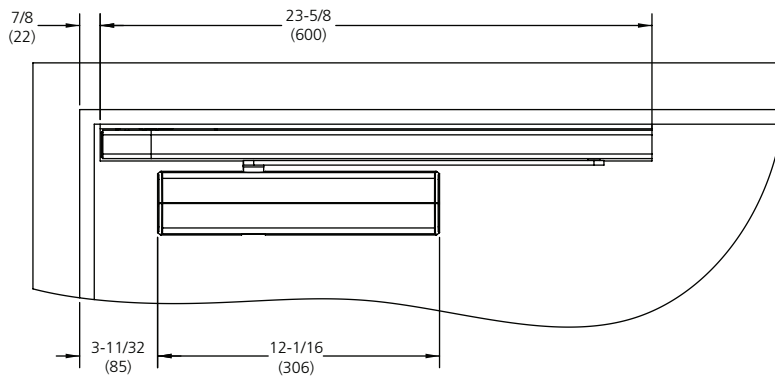
Pull Side

- 70° - 120° hold open range



Push Side

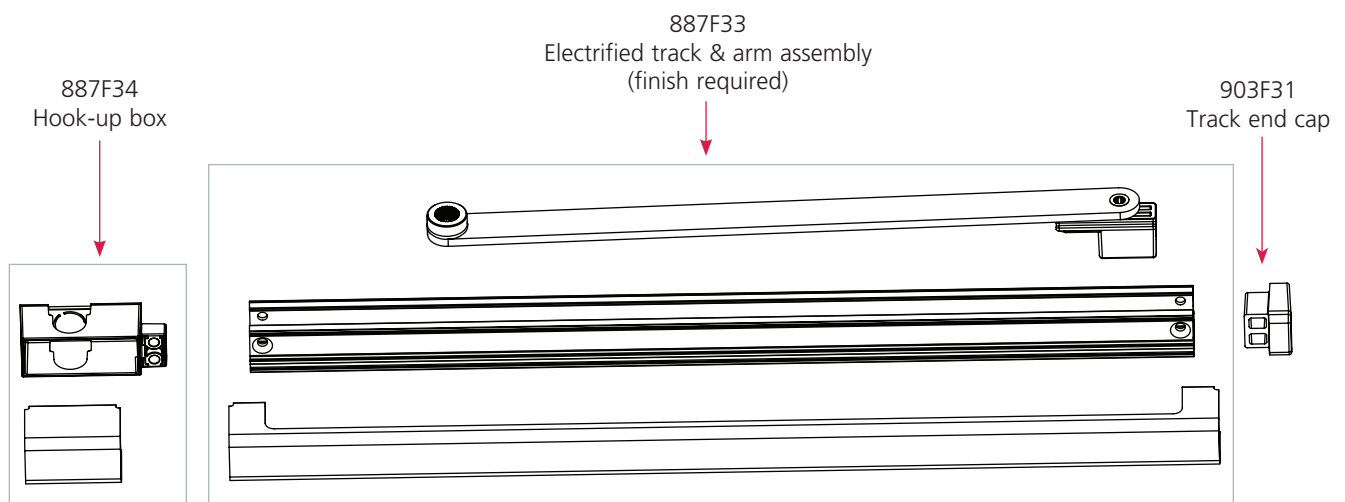
- 70° - 115° hold open range
- 896F13 track angle bracket required (included)
- Minimum frame reveal is 1-1/2 (13)
- 4-3/4 (121) minimum door top rail



Parts

PARTS LIST

Part #	Description
903F33	Closer body only
754F79	Plastic cover
754F69	Closer screw pack
754F70	Spline screw pack
754F94	Track screw pack
896F13	Slide track angle bracket
896F10	Screw pack for angle bracket



ACCESSORIES

754F80 Drop/Back Plate: For use where the narrow top rail of the door prevents the closer from being mounted directly to the door surface. This drop plate must be used for closer mounted on a top rail between 1-7/8" and 3-3/8" (48 and 86mm) in height.



How To Order

ORDERING EXAMPLES

Quantity	Series	Finish
2	DC52900	689

Door Thickness

Door Thickness	Specify
1-3/4" (44mm)	(standard)

Finish

Description	Specify
SBL Silver Aluminum Painted	689
DBL Dark Bronze Painted	690
-- Black Suede Powder	BSP
-- White Suede Powder	WSP

Specification

Shall be electromechanical closer/holder. Hold open to be achieved by electric solenoid locking on closer arm slide in it track. Track, slide, and solenoid to be contained in a single aluminum extrusion 1-1/2" (38mm) high x 1-5/16" (33mm) deep.

Closer shall be door mounted. Track and hold open mechanism shall be surface mounted to the frame face for application on the pull side of the door and frame soffit mounted (with bracket) for application on the push side of the door. Single point hold open shall be selective through a range of 70° to 120° for pull side and 70° to 115° for push side. Hold open point to be achieved by adjusting location of hold-open mechanism in the track.

Door closer has be a surface mounted, cam action, high-efficiency door closer with complete spring power adjustment sized 1 through 6. Closer to be the cam and roller design, one piece cast aluminum silicon alloy body with adjustable back check and independently controlled valves for closing sweep and latch speed. Non-hold open door closer body to be UL Listed for self-closing doors. Unit meets cULus.

Units to be fail safe and close the door during an interruption to the electrical power. The hold open solenoid coil shall have a maximum amperage draw of .060 Amps at 24VDC.

All wiring connections shall be made without the need of wire nuts or soldering. Units shall require 24VDC power input. Input power to connect to header attached to the end of the solenoid leads and located inside the hook-up box. Wiring, conduit, and conduit connectors by others.

The ASSA ABLOY Group is the global leader in access solutions. Every day, we help billions of people experience a more open world.

ASSA ABLOY Opening Solutions leads the development within door openings and products for access solutions in homes, businesses and institutions. Our offering includes doors, frames, door and window hardware, mechanical and smart locks, access control and service.



For additional information, contact your
ASSA ABLOY Door Security Solutions
sales consultant or
visit www.corbinrusswin.com.

In U.S.

Corbin Russwin
Architectural Hardware
225 Episcopal Road
Berlin, CT 06037
Phone: 800-543-3658
Fax: 800-447-6714
www.corbinrusswin.com

In Canada

ASSA ABLOY Door
Security Solutions Canada
160 Four Valley Drive
Vaughan, Ontario
Canada L4K 4T9
Phone: 800-461-3007
Fax: 800-461-8989
www.assaabloydss.ca