

# SARGENT® 1331 DOOR CLOSER INSTALLATION INSTRUCTIONS WITH JUO (JO & JP9) ARMS

**SARGENT®**  
**ASSA ABLOY**

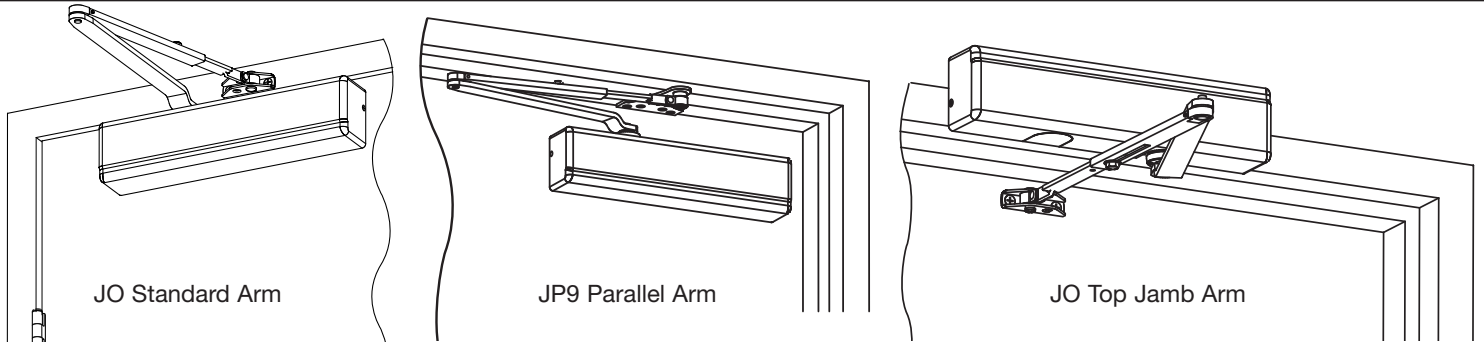
Strength Adjustable From Size 1 Thru 6

**CAUTION: FAILURE TO INSTALL OR ADJUST PROPERLY MAY RESULT IN INJURY OR DAMAGE**

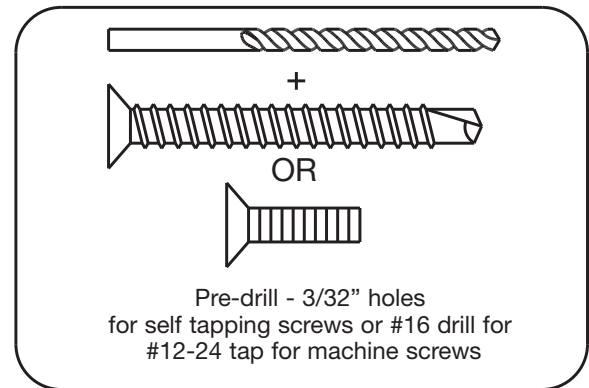
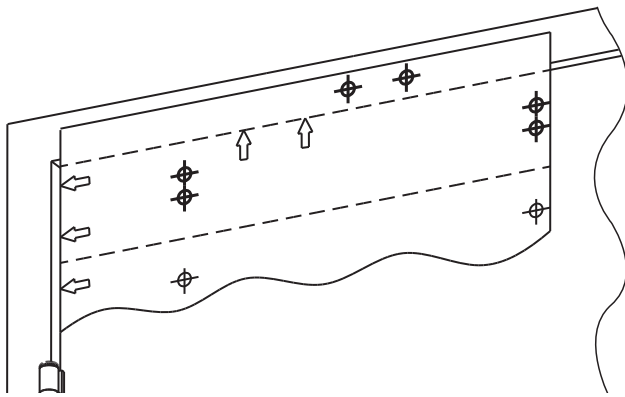
Auxiliary door stop required

FOR ASSISTANCE, CALL SARGENT AT 1-800-727-5477 or [www.Sargentlock.com](http://www.Sargentlock.com)

## Choose From 1 of the 3 Applications



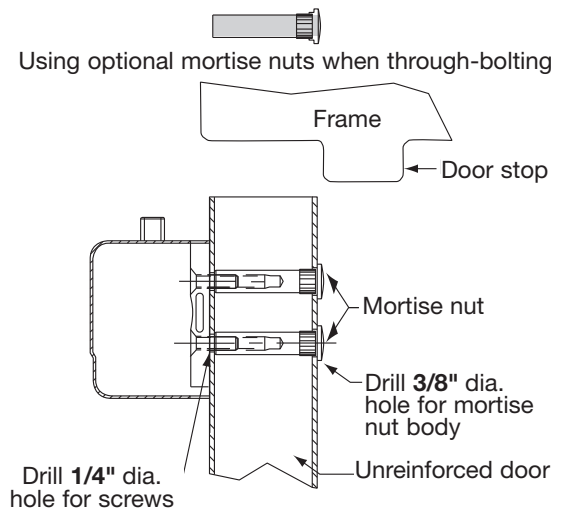
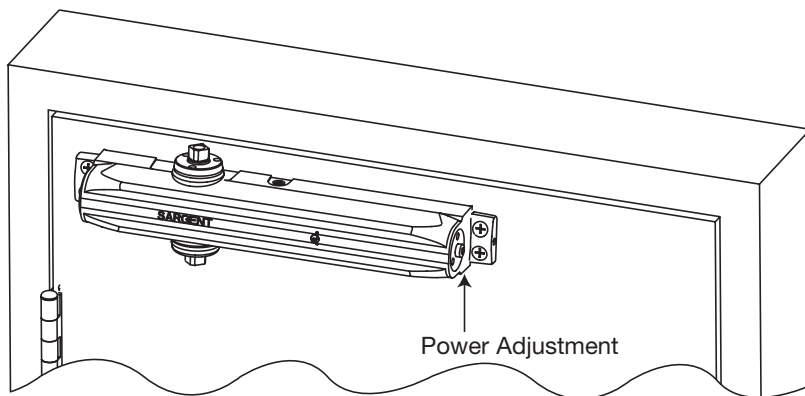
## Use Standard & Parallel Full Size Templates Provided



**NOTE: With swing clear hinges, use data sheets provided.**

## \*1/4" Variance allowed for retrofit of existing closers

With fasteners provided, secure closer body to door with power adjustment away from hinge.

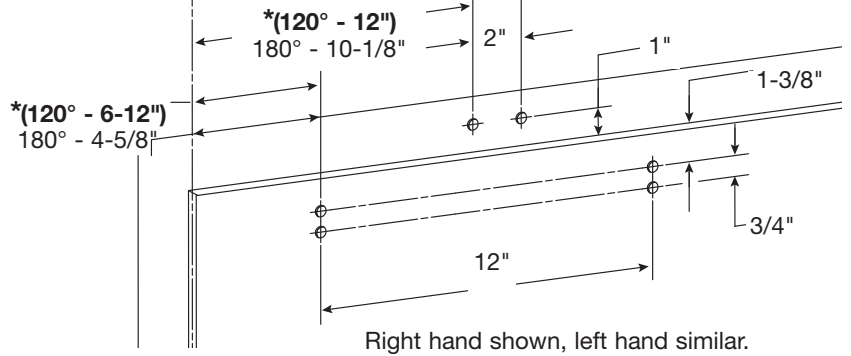
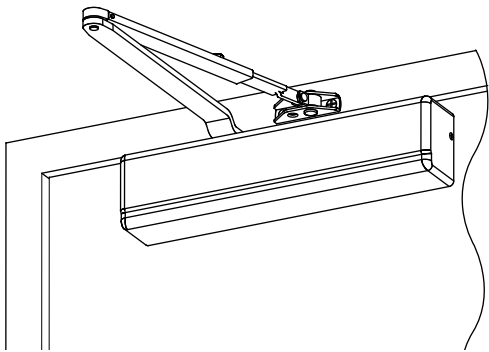


Copyright © 2008, Sargent Manufacturing Company, an ASSA ABLOY Group company. All rights reserved. Reproduction in whole or in part without the express written permission of Sargent Manufacturing Company is prohibited.

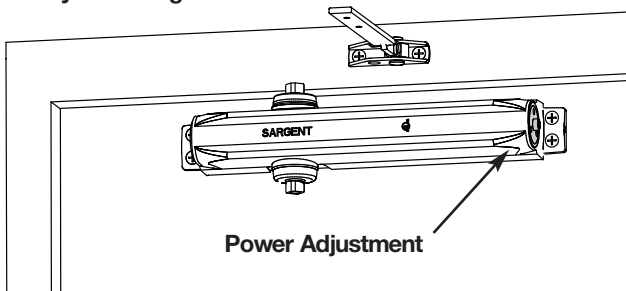
# 1331 STANDARD APPLICATION JO ARM INSTALLATION INSTRUCTIONS

**SARGENT**  
**ASSA ABLOY**

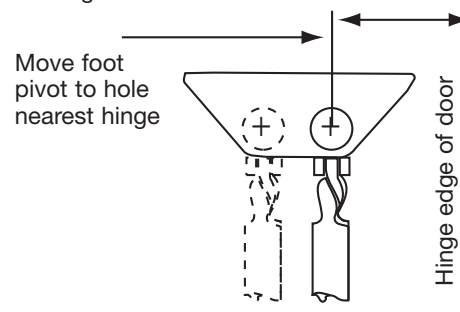
- 1** Determine maximum degree of door opening required. Use a #16 drill. Drill and tap door and frame for 12-24 machine screws. When using the included self tapping screw, pre-drill with a 3/32" drill **\*Provides maximum power for heavy or drafty doors**



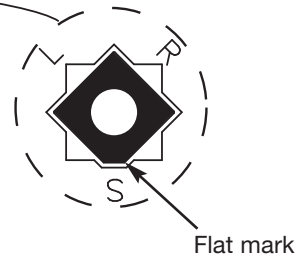
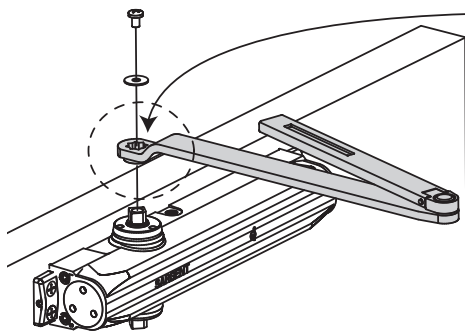
- 2** With provided fasteners, install foot to frame and secure closer body to door with **power adjustment** away from hinge



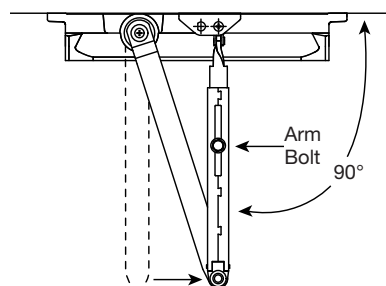
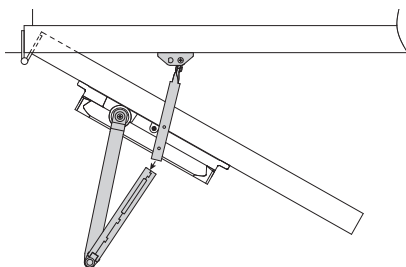
- 2A** For additional power move foot towards hinge edge of door



- 3** On both right and left hand doors, secure main arm to top spindle with screw and washer provided. Align flat mark as shown



- 4** Open door and insert foot into main arm. Close door fully, and while pushing arm as shown in picture, tighten arm bolt

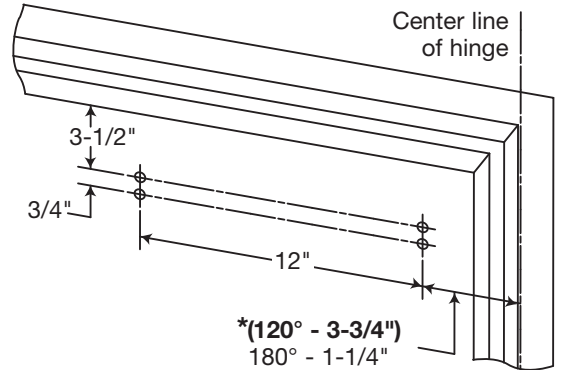
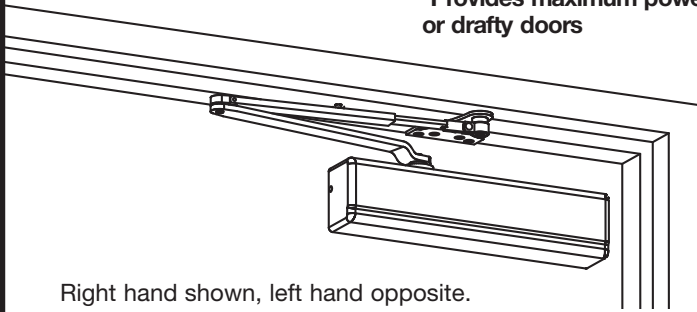


- 5** See page 5 for closer adjustment and cover installation

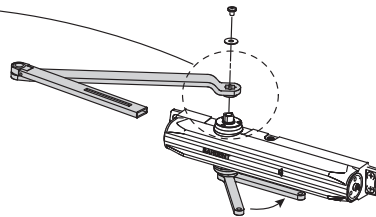
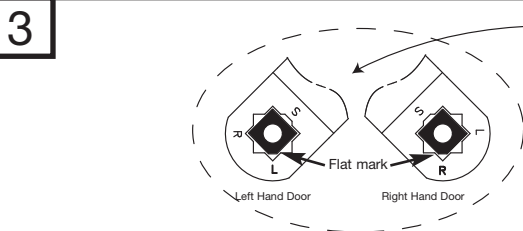
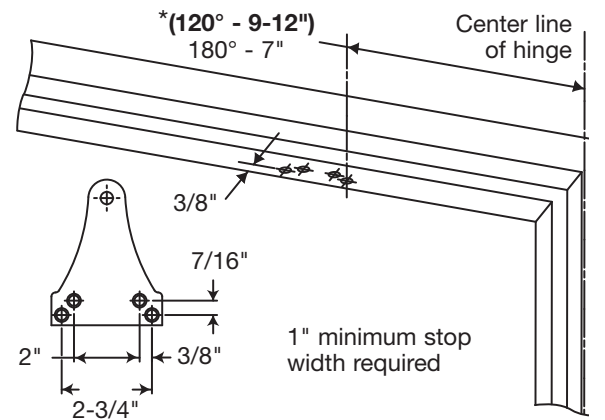
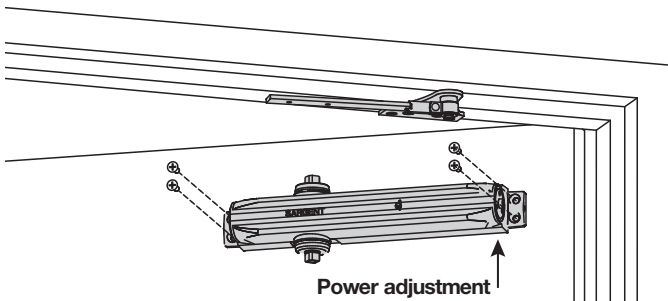
# 1331 JP9 PARALLEL ARM INSTRUCTIONS

**1** Determine maximum degree of door opening required. Use a #16 drill. Drill and tap door and frame for 12-24 machine screws. When using the included self tapping screws, predrill with a 3/32" drill.

**\*Provides maximum power for heavy or drafty doors**

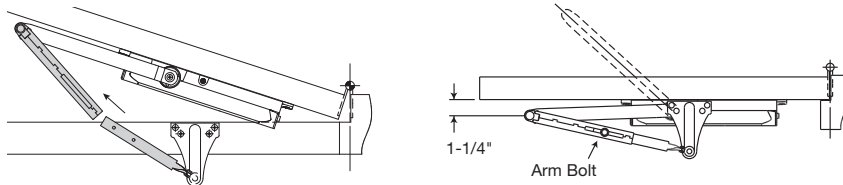


**2** With fasteners provided, install foot to stop and closer body to door with **power adjustment toward hinge**

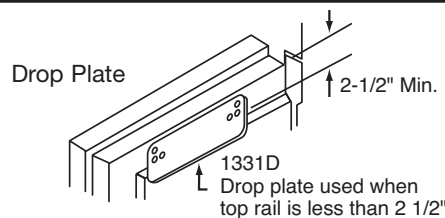


With wrench on bottom spindle, preload/index by turning spindle as shown and secure main arm to top spindle with flat mark as indicated at left with screw and washer

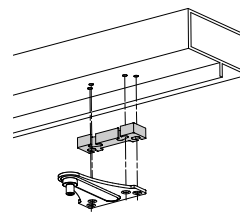
**4** Open door and insert foot into main arm. Close door fully while holding elbow 1-1/4" from door. Tighten arm bolt



**5** See page 5 for adjustment and cover installation



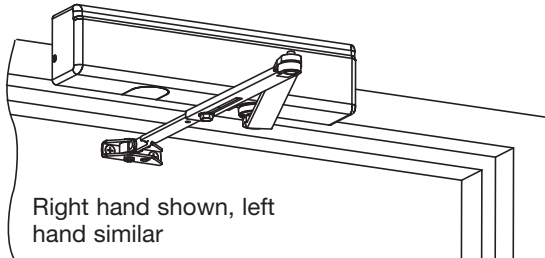
## Accessory Information



**581-1 Blade Stop Spacer Kit**  
Metal spacer for use on 1/2" blade stops on aluminum store fronts

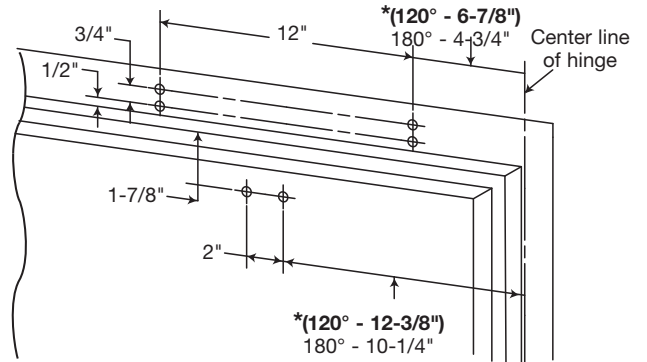
# 1331 JO TOP JAMB INSTRUCTIONS

**1** Determine maximum degree of door opening required. Use a #16 drill. Drill and tap door and frame for 12-24 machine screws. When using provided self tapping screws, predrill with a 3/32" drill



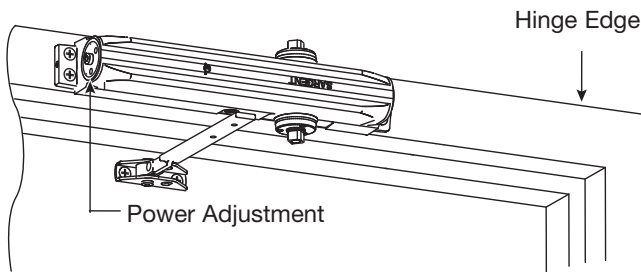
Right hand shown, left hand similar

Note: 2" maximum reveal allowed

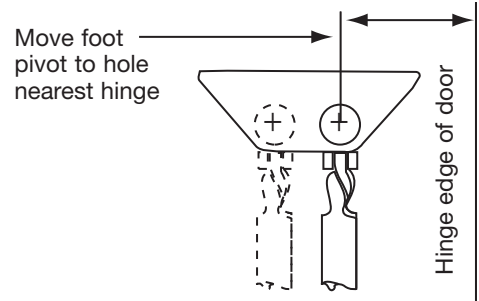


\*Provides maximum power for heavy or drafty doors

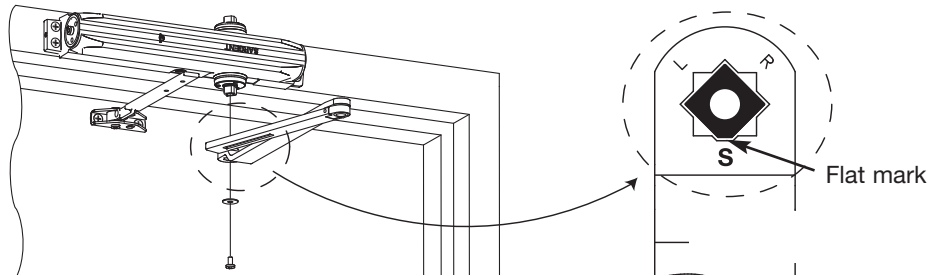
**2** With provided fasteners, install foot to door and closer body to frame with **power adjustment away from hinge**



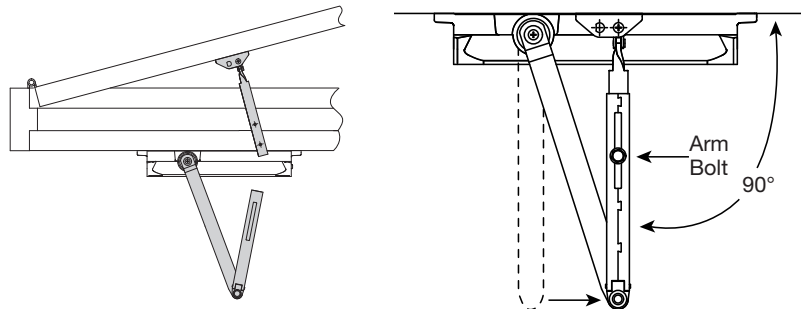
**2A** Adjusting foot for additional closing power



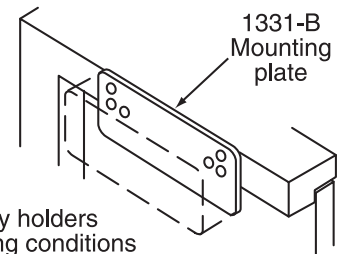
**3** On both right and left hand doors, secure main arm to top spindle with screw and washer provided. Align flat mark as shown



**4** Open door and insert foot into main arm. Close door fully, and while pushing arm as shown in picture, tighten arm bolt



**Accessories**



For auxiliary holders or low ceiling conditions

**5** See page 5 for adjustment and cover installation

Copyright © 2008, Sargent Manufacturing Company, an ASSA ABLOY Group company. All rights reserved. Reproduction in whole or in part without the express written permission of Sargent Manufacturing Company is prohibited.

**4** A7741A

ASSA ABLOY, the global leader in door opening solutions

# CLOSER ADJUSTMENT AND COVER INSTALLATION

**SARGENT**

THE 1331 IS FACTORY ADJUSTED FOR MOST APPLICATIONS, HOWEVER, ADDITIONAL ADJUSTMENT MAY BE REQUIRED DUE TO ACTUAL CONDITIONS

**ASSA ABLOY**

## 5 MINIMUM RECOMMENDED DOOR CLOSING TIME FOR DOORS OPENED TO 90° IS 6 SECONDS.

Use 1/8" hex (Allen) wrench to adjust valves as needed

### **SWEEP AND LATCHING SPEEDS:**

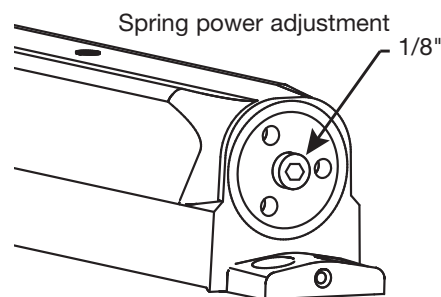
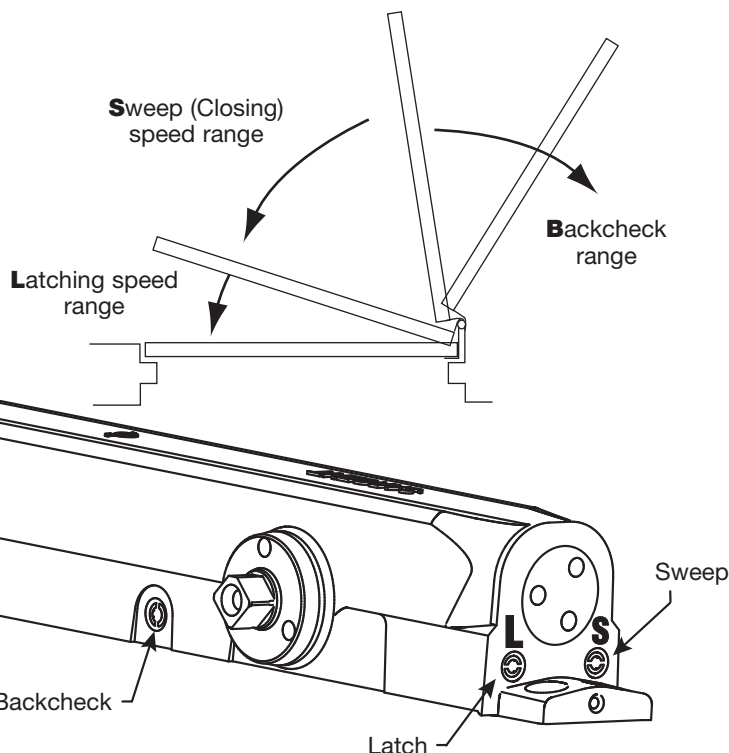
Turn valves clockwise to slow down or counterclockwise to speed up door movement

### **BACKCHECK:**

To regulate the intensity of backcheck action, turn valve clockwise to increase or counterclockwise to decrease checking

**CAUTION: SET VALVE FOR SLIGHT CUSHIONING EFFECT. CLOSER CAN BE DAMAGED IF THE CHECKING ACTION IS TOO ABRUPT. NEVER USE THE BACKCHECK AS A DOOR STOP. ALWAYS USE A DOOR STOP TO STOP THE DOOR**

**IF ADJUSTMENTS ARE INEFFECTIVE, CHECK INDEXING AS SHOWN IN STEP 3 AND CHECK FOR CORRECT TEMPLATING**



### **CLOSING POWER:**

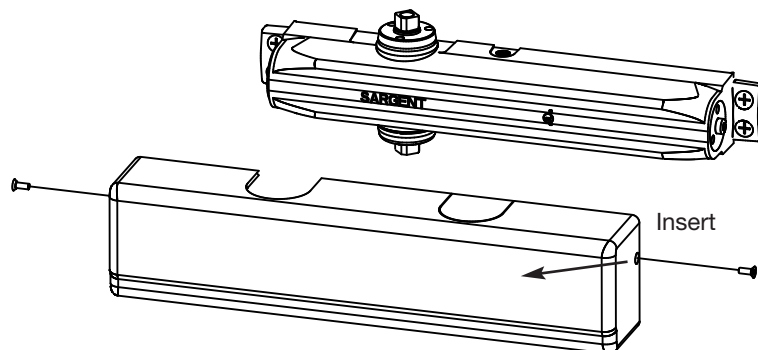
Certain applications may require closing power adjustment:

If the door will not latch properly, increase power by turning the power adjustment clockwise in full turn increments.

If the door is hard to open, reduce power by turning the power adjustment counter-clockwise in full turn increments.

## 6 Cover Installation

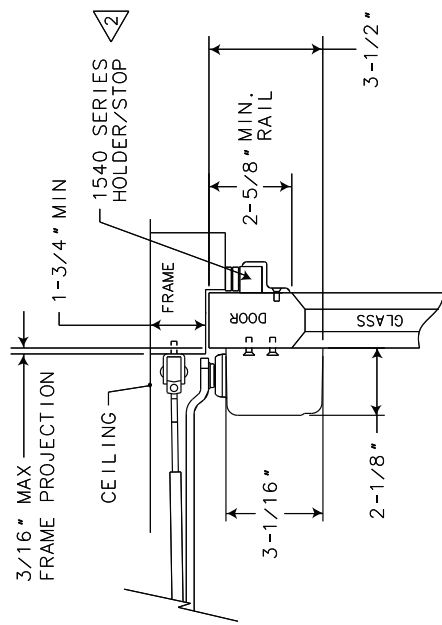
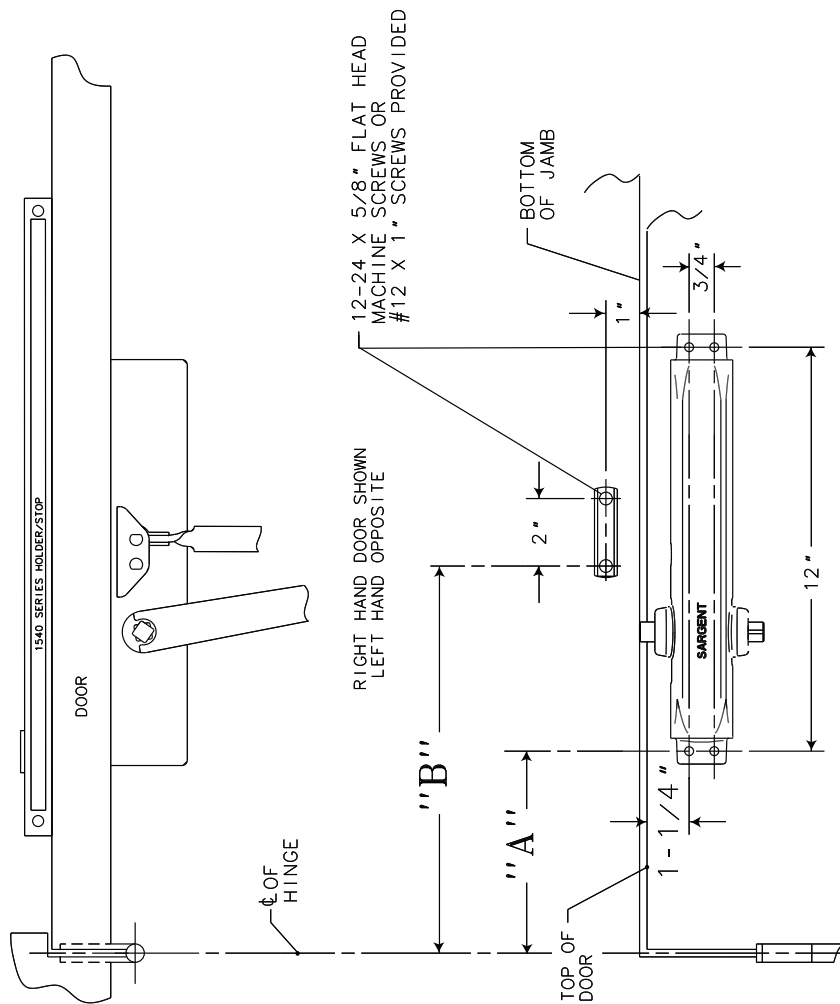
Move insert if needed. Install cover with two #6- 32 X 5/16" machine screws as shown



# SARGENT®

## ASSA ABLOY

HOLDER SIZE	DIM 'A'	DIM 'B'
1546 & 1547	7 <sup>3</sup> / <sub>4</sub> "	13 <sup>1</sup> / <sub>4</sub> "
1548	4"	9 <sup>1</sup> / <sub>2</sub> "
1549	5 <sup>1</sup> / <sub>8</sub> "	9 <sup>5</sup> / <sub>8</sub> "



**NOTES**

1. REINFORCE METAL DOORS & FRAMES PER ANSI A250.8 AND SDI-100 STANDARDS, 12 GAUGE RECOMMENDED.
2. FOR 1540 INSTALLATION, SEE TEMPLATES A7488, A7489 & A7490

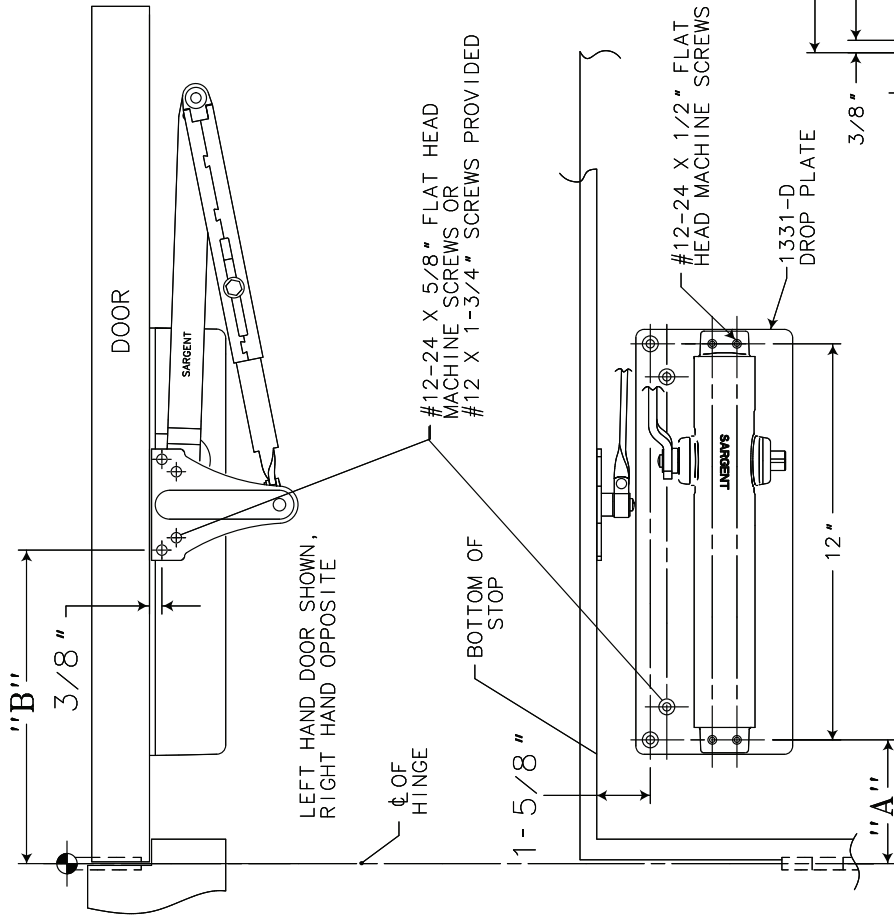
<b>SARGENT® Manufacturing Company</b> 100 Sargent Drive New Haven, CT 06511	
DATA SHEET:	RELEASE DATE
1331 DOOR CLOSER WITH JO ARM AND 1540 SERIES OVERHEAD STOP STANDARD APPLICATION	TEMPLATE NO. A7746 A

Copyright © 2008, Sargent Manufacturing Company, an ASSA ABLOY Group company. All rights reserved. Reproduction in whole or in part without the express written permission of Sargent Manufacturing Company is prohibited.

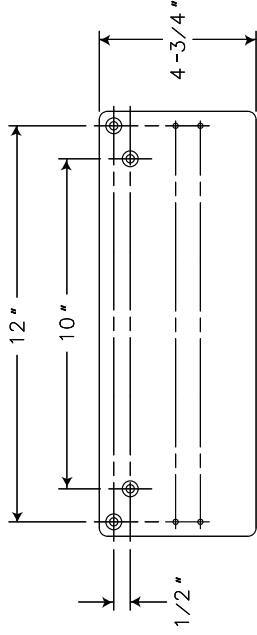
ASSA ABLOY, the global leader  
in door opening solutions

A7741A

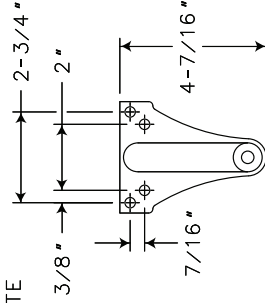
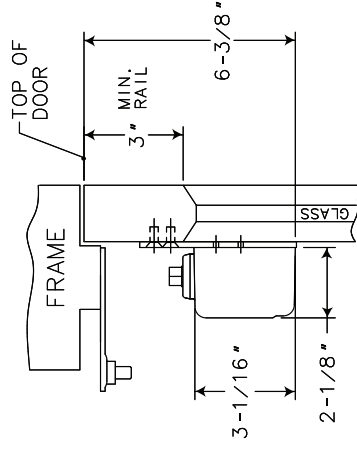
# SARGENT® ASSA ABLOY



MAXIMUM DEGREE OF DOOR OPENING	DIM 'A'	DIM 'B'
120°	3 3/4"	9 1/2"
180°	1 1/4"	7"



1331-D DROP PLATE DETAIL



JP9 FOOT BRACKET DETAIL

### NOTES

1. REINFORCE METAL DOORS AND FRAMES PER ANS I A250.8 AND SD1-100 STANDARDS, 12 GAUGE RECOMMENDED.

<b>SARGENT® Manufacturing Company</b> 100 Sargent Drive New Haven, Ct 06511	
RELEASE DATE	
FOR NARROW RAIL DOORS	TEMPLATE NO. A7735

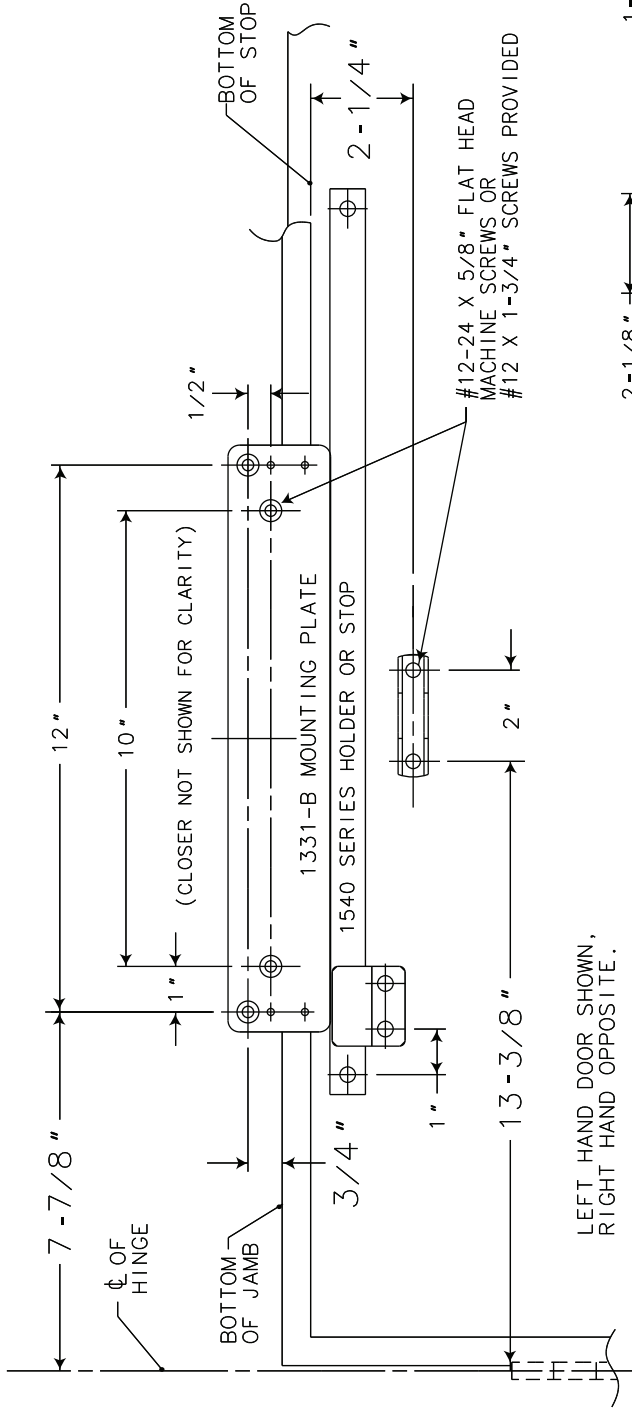
Copyright © 2008, Sargent Manufacturing Company, an ASSA ABLOY Group company. All rights reserved. Reproduction in whole or in part without the express written permission of Sargent Manufacturing Company is prohibited.

A7741A

ASSA ABLOY, the global leader  
in door opening solutions

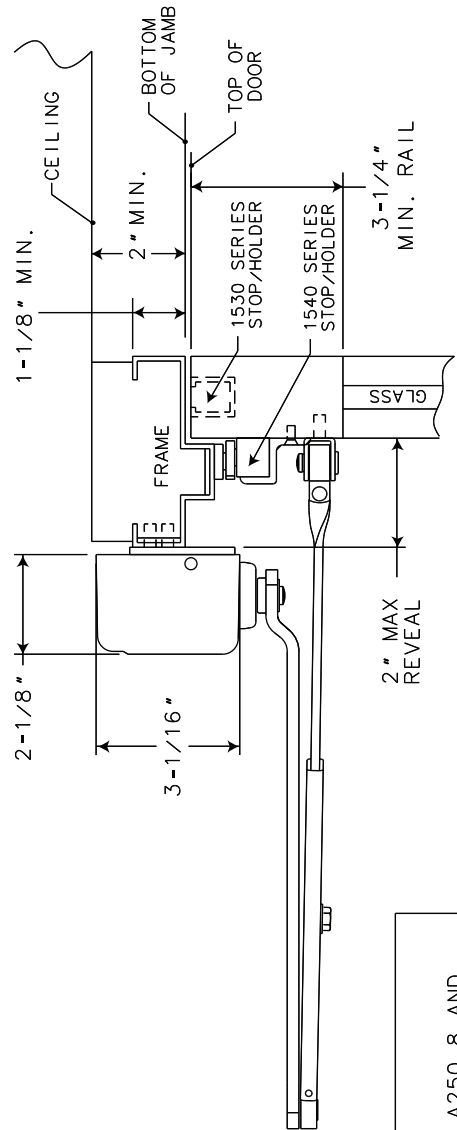
# SARGENT®

## ASSA ABLOY



LEFT HAND DOOR SHOWN,  
RIGHT HAND OPPOSITE.

- NOTES**
1. REINFORCE METAL DOORS AND FRAMES PER ANSI A250.8 AND SD1-100 STANDARDS, 12 GAUGE RECOMMENDED.
  2. FOR 1530 HOLDER/STOP INSTALLATION SEE TEMPLATES A7485 THRU A7487
  3. FOR 1540 STOP/HOLDER INSTALLATION, SEE TEMPLATES A7488 THRU A7490



<b>SARGENT® Manufacturing Company</b> 100 Sargent Drive New Haven, CT 06511	
DATA SHEET: 1331 DOOR CLOSER WITH JO ARM & 1540/1530 STOP WITH 1331-B MOUNTING PLATE TOP JAMB APPLICATION	RELEASE DATE TEMPLATE NO. A7733 A

Copyright © 2008, Sargent Manufacturing Company, an ASSA ABLOY Group company. All rights reserved. Reproduction in whole or in part without the express written permission of Sargent Manufacturing Company is prohibited.  
A7741A

ASSA ABLOY, the global leader  
in door opening solutions