

# 1430 or 1431 DOOR CLOSERS WITH PS/PSH ARMS INSTALLATION INSTRUCTIONS

**SARGENT**  
**ASSA ABLOY**

1430 SERIES ADJUSTABLE FROM SIZE 3 THRU 6 (TYPICALLY USED ON LARGE OR EXTERIOR DOORS)

1431 SERIES ADJUSTABLE FROM SIZE 1 THRU 4 (TYPICALLY USED ON INTERIOR DOORS)

**CAUTION: FAILURE TO INSTALL OR ADJUST PROPERLY MAY RESULT IN INJURY OR DAMAGE.**

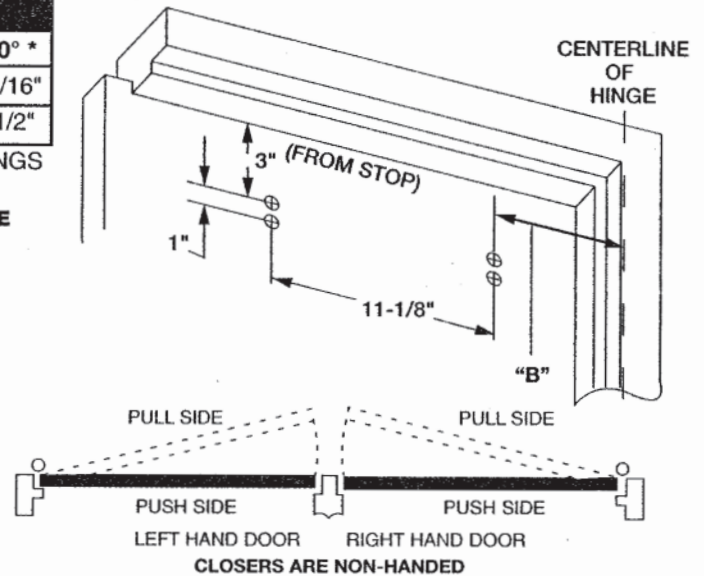
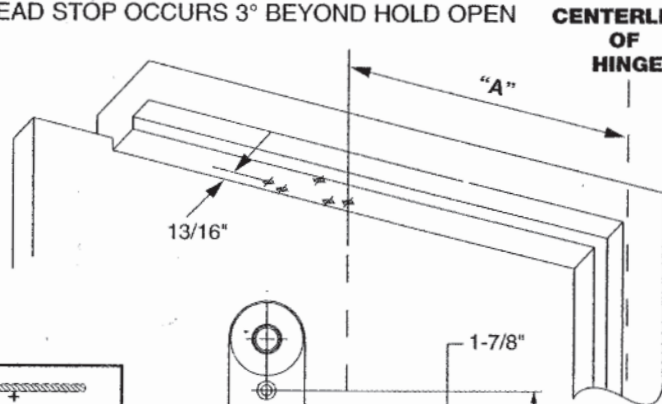
For assistance contact SARGENT at 800-727-5477 or [www.sargentlock.com](http://www.sargentlock.com)

**1** DETERMINE MAXIMUM DEGREE OF DOOR OPENING OR HOLD OPEN (PSH) REQUIRED (FOR MAXIMUM POWER, INSTALL FOR SMALLEST DEGREE OF DOOR OPENING POSSIBLE). DRILL AND TAP DOOR AND FRAME FOR #12-24 MACHINE SCREWS. WHEN USING SELF TAPPING SCREWS PROVIDED, PREDRILL WITH 3/32" DRILL.

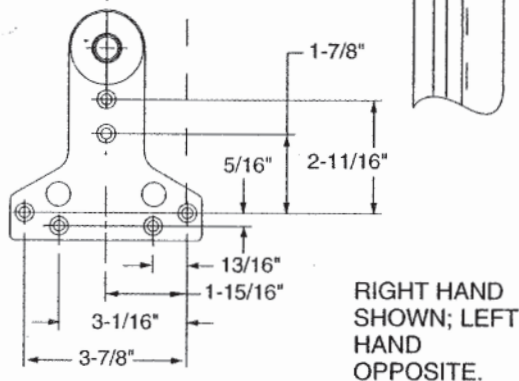
DEGREE OF DOOR OPENING AT "HOLD OPEN" **						
	85°	90°	95°	100° *	105° *	110° *
Dim. "A"	10-13/16"	10-1/16"	9-7/16"	8-13/16"	8-3/16"	7-11/16"
Dim. "B"	5-9/16"	4-13/16"	4-1/4"	3-5/8"	3"	2-1/2"

\* DO NOT USE WITH SWING CLEAR HINGE FOR DOOR OPENINGS GREATER THAN 95°. USE ALTERNATE TYPE HINGES.

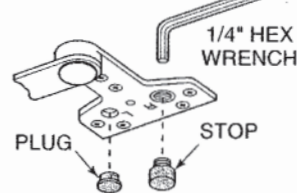
\*\* DEAD STOP OCCURS 3° BEYOND HOLD OPEN



**IMPORTANT NOTICE**  
PRE-DRILL 3/32" HOLES FOR SELF-TAPPING SCREWS OR TAP #12-24 FOR MACHINE SCREWS

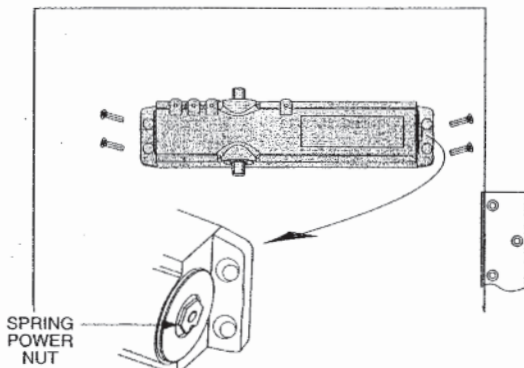


**3A** INSTALL STOP WITH 1/4" HEX WRENCH TO MATCH HAND OF DOOR.



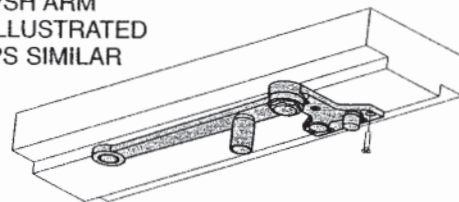
USING 1/4" HEX WRENCH, TURN STOP COUNTER-CLOCKWISE UNTIL SEATED VERY TIGHT.

**3B** ATTACH DOOR CLOSER TO DOOR WITH SPRING POWER NUT TOWARDS HINGE.



**3B** MOUNT FOOT BRACKET TO DOOR STOP.

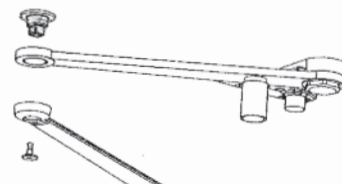
PSH ARM ILLUSTRATED PS SIMILAR



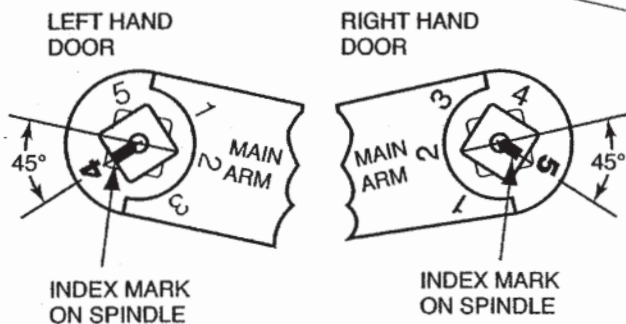
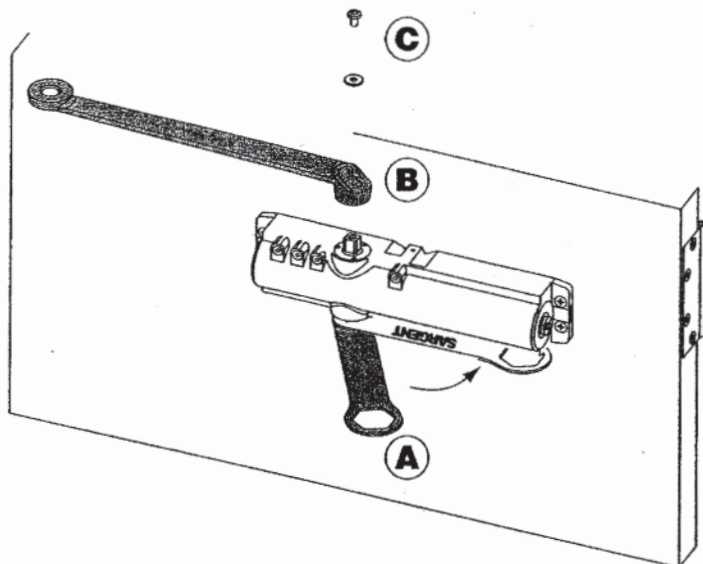
USE FIFTH HOLE SPACER WHEN REQUIRED

**IMPORTANT: USE A MINIMUM OF 5 SCREWS.**

**3C** ALTERNATE: PREASSEMBLE ARM PRIOR TO ATTACHING TO STOP.

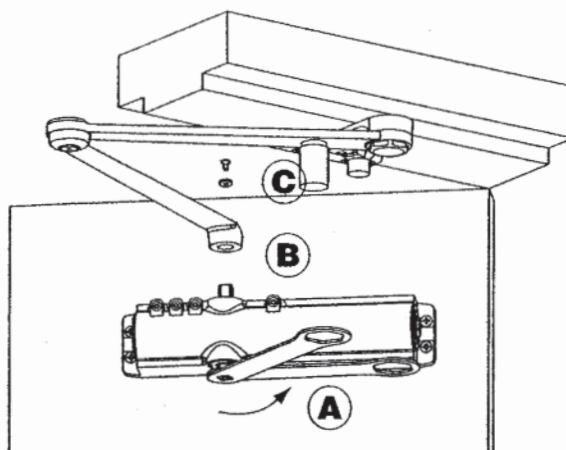


- 4** \* A. ROTATE BOTTOM SPINDLE WITH WRENCH.  
 B. ASSEMBLE MAIN ARM WITH INDEX MARK POSITIONED AS SHOWN.  
 C. SECURE WITH SCREW AND WASHER.

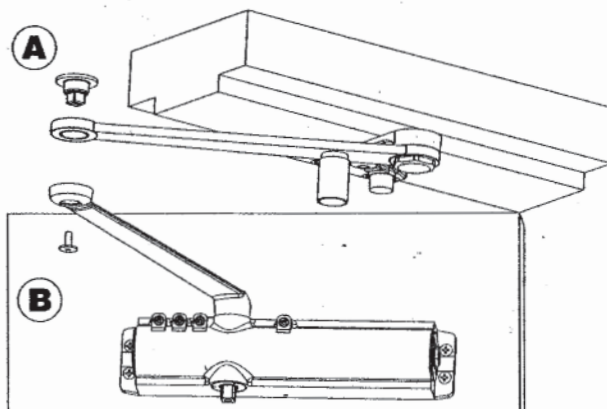


**!!** \* WARNING: IF NOT PROPERLY INDEXED, DOOR CLOSER WILL NOT FUNCTION PROPERLY. **!!**

- 4A** ALTERNATE METHOD FOR ATTACHING PREASSEMBLED ARM.

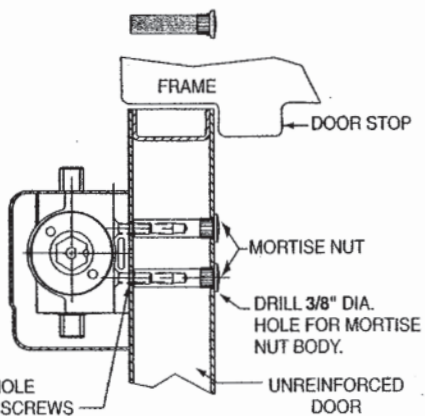


- 5** A. OPEN DOOR AND INSTALL PIVOT AS SHOWN.  
 B. USE SCREW TO SECURE PIVOT AND ARMS AS SHOWN.



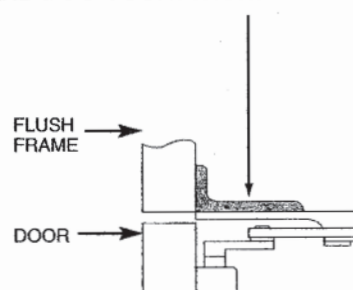
### ACCESSORIES

OPTIONAL: USE MORTISE NUTS (#4TB) WHEN THRU-BOLTING IS REQUIRED.



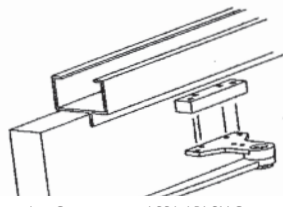
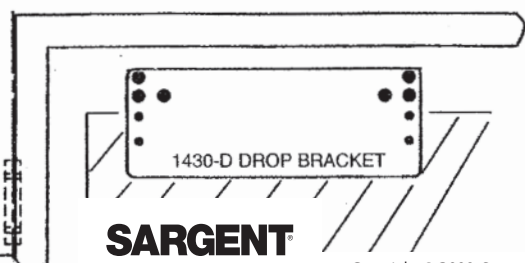
SEE PAGE 1 FOR TEMPLATING DIMENSIONS

**125 VF BRACKET FOR FLUSH FRAME AND DOOR CONDITION.**

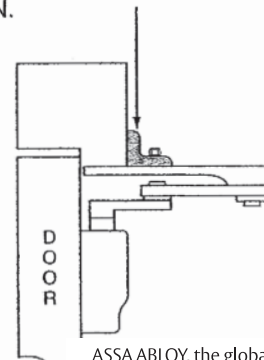


**1430-D DROP BRACKET USED WITH NARROW TOP RAILS**

**581-2 SPACER USED WITH BLADE STOPS.**



**125 V BRACKET FOR NARROW FRAME CONDITION.**



## FINAL ADJUSTMENT AND REGULATING PROCEDURES

**6** **MINIMUM RECOMMENDED DOOR CLOSING TIME IS 6 SECONDS FOR DOORS OPENED TO 90 DEGREES.**  
USE 1/8" HEX (ALLEN) WRENCH TO ADJUST VALVES AS NEEDED.

**CLOSING AND LATCHING SPEEDS:**

TURN VALVES CLOCKWISE TO SLOW DOWN OR COUNTERCLOCKWISE TO SPEED UP DOOR MOVEMENT.

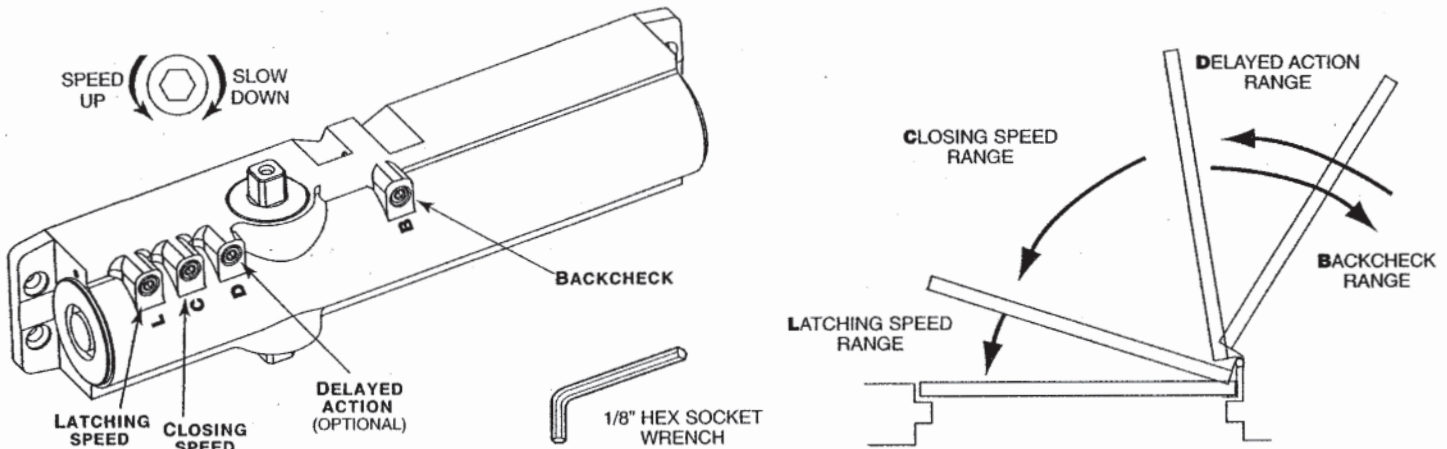
**BACKCHECK:**

TO REGULATE THE INTENSITY OF BACKCHECK ACTION TURN VALVE CLOCKWISE TO INCREASE OR COUNTERCLOCKWISE TO DECREASE CHECKING.

**CAUTION: SET VALVE FOR SLIGHT CUSHIONING EFFECT; CLOSER CAN BE DAMAGED IF THE CHECKING ACTION IS TOO ABRUPT. NEVER USE THE BACKCHECK AS A DOOR STOP. ALWAYS USE A DOOR STOP TO STOP THE DOOR.**

**DELAYED ACTION FEATURE (OPTIONAL FEATURE ON SOME MODELS):**

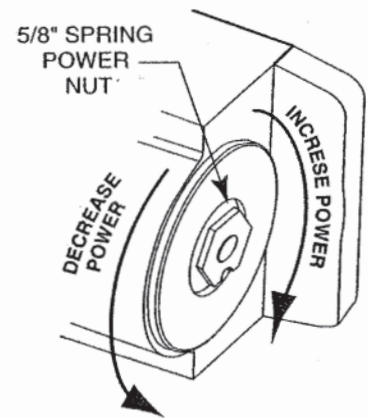
"DELAYED ACTION" PROVIDES SLOW DOOR CLOSING THROUGH THE DELAYED ACTION RANGE. TURN VALVE CLOCKWISE TO SLOW DOWN OR COUNTERCLOCKWISE TO SPEED UP DOOR MOVEMENT.



**7** **ADJUST POWER TO ALLOW DOOR TO CLOSE AND LATCH.**

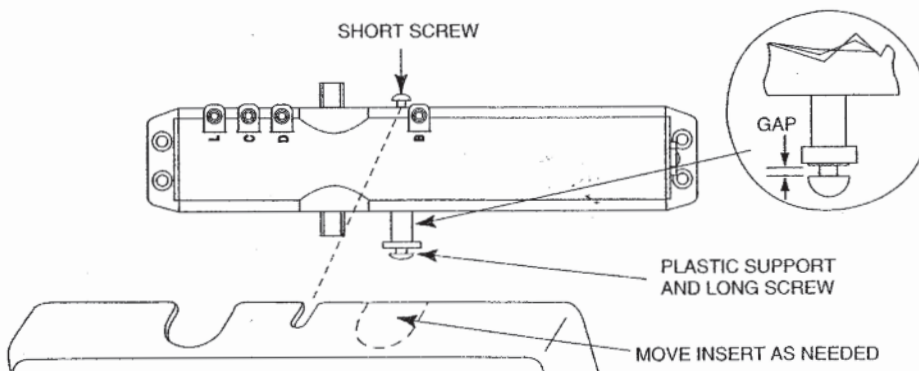
**NUMBER OF TURNS OF SPRING POWER ADJUSTING NUT**

DOOR WIDTH (INCHES)	1430 DOOR CLOSER	1431 DOOR CLOSER
24-30	Not recommended, use 1431	TURN nut 1-3 ↙
30-36	FACTORY SET	FACTORY SET
36-42	TURN nut 1-4 ↘	TURN nut 1-3 ↘
42-48	TURN nut 7-9 ↘	Not recommended, use 1430



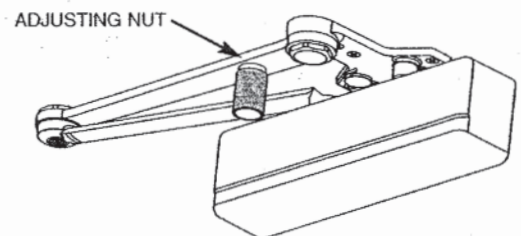
ADJUSTING DOOR TO CLOSE DUE TO HIGH DRAFT CONDITIONS MAY EXCEED ADA STANDARDS. CONSULT LOCAL ORDINANCES WHEN FIRE DOORS ARE INVOLVED.

**8** **INSTALL COVER AS SHOWN**



**9** **TO ADJUST HOLDER ARM (PSH ONLY)**

ALL PSH ARMS ARE SET IN THE HOLD OPEN POSITION AT THE FACTORY. TO INACTIVATE THE HOLD-OPEN FEATURE, TURN THE ADJUSTING NUT APPROXIMATELY 1-1/2 TURNS COUNTER-CLOCKWISE.



**SARGENT**  
**ASSA ABLOY**

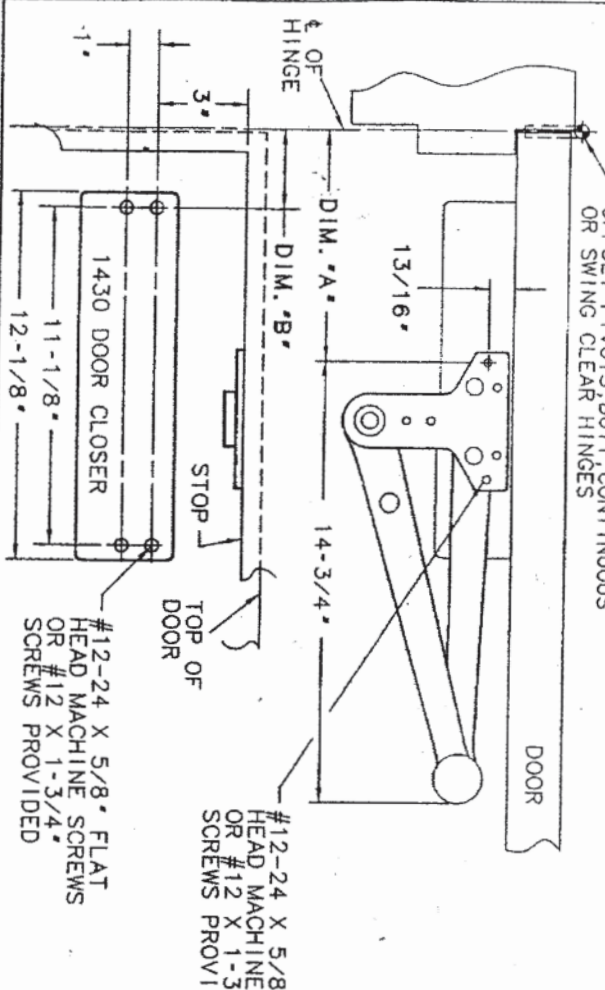
Copyright © 2009, Sargent Manufacturing Company, an ASSA ABLOY Group company. All rights reserved. Reproduction in whole or in part without the express written permission of Sargent Manufacturing Company is prohibited.

ASSA ABLOY, the global leader  
in door opening solutions

A7143G

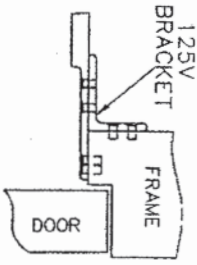
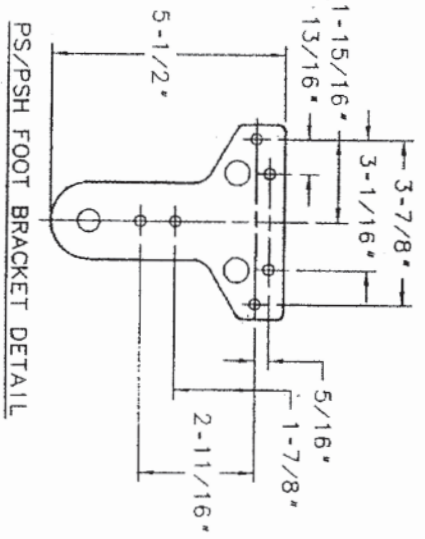
**3**

DEGREE OF DOOR OPENING AT "HOLD OPEN"						
	85°	90°	95°	100°	105°	110°
DIM. "A"	10-13/16"	10-1/16"	9-7/16"	8-13/16"	8-3/16"	7-11/16"
DIM. "B"	5-9/16"	4-13/16"	4-1/4"	3-5/8"	3"	2-1/2"



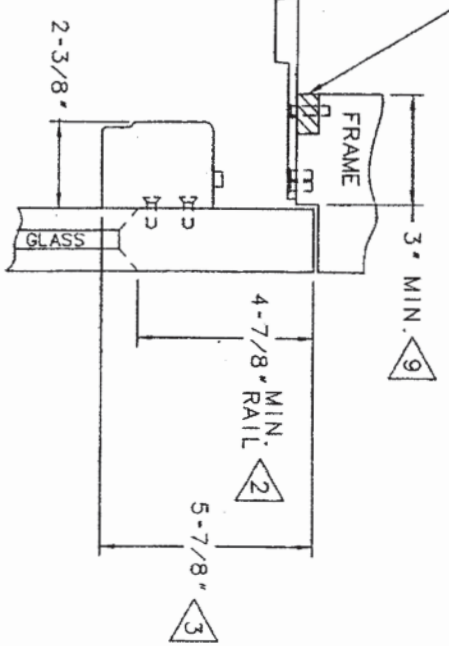
**NOTES:**

1. REINFORCE METAL DOORS AND FRAMES PER ANSI A250.8 AND SDI-100 STANDARDS, 12 GAUGE RECOMMENDED.
2. FOR THIN RAIL DOORS, USE 1430-D DROP PLATE, SEE DATA SHEET A7168.
3. 1430-J COVER PLATE MAY BE USED WHEN CLOSER IS VISIBLE THROUGH GLASS.
4. DO NOT USE THESE MOUNTINGS FOR SWING CLEAR HINGES.
5. LEFT HAND DOOR SHOWN, RIGHT HAND OPPOSITE.
6. DIMENSIONS "A" & "B" ARE BASED ON A 4-1/2" BUTT HINGE. IF A 3-1/2" OR 6" BUTT HINGE IS USED, THE HOLD OPEN ANGLE WILL CHANGE BY LESS THAN 1/2°.
7. DEAD STOP OCCURS APPROX. 3" BEYOND HOLD OPEN.
8. IF DOOR CLOSER BODY INTERFERES WITH LIGHT KIT, USE 1430-B PLATE. SEE DATA SHEET A7169 FOR PLATE DIMENSIONS ONLY.
9. WHEN SOFFIT IS LESS THAN 3" USE A 125V BRACKET.



**NARROW FRAME INSTALLATION**  
 USE 125V BRACKET (NOT SHOWN) FOR FLUSH FRAME CONDITIONS

SPACER MAY BE REQUIRED FOR NARROW STOPS  
 PS/PSH FOOT BRACKET



**SARGENT Manufacturing Company**  
 100 Sargent Drive New Haven, CT 06611

DATA SHEET: 1430 SERIES DOOR CLOSERS WITH PS OR PSH HEAVY DUTY PARALLEL ARM

EFFECTIVE DATE: AUG. 03

TEMP. PLATE NO. A7377 D

**SARGENT**

**ASSA ABLOY**

Copyright © 2009 Sargent Manufacturing Company, an ASSA ABLOY Group company. All rights reserved. Reproduction in whole or in part without the express written permission of Sargent Manufacturing Company is prohibited.