

MODEL 972

The Rixson® 972 Industrial Door Release is listed by Underwriters' Laboratories as a substitute for fusible links in such applications as overhead rolling doors, guillotine doors, fire dampers and self-closing windows. These heavy-duty units provide automatic release when triggered by a smoke detector, manual pull station, test button on unit, or other electrically operated switch.

**Application**

- 972H for swinging doors
- 972S for sliding doors
- 972U for overhead doors
- Specify model number and voltage

**Features**

- Shipping weight: 5 lbs. (2.3 kg)
- 2 year limited warranty

**Compliance**

- ANSI/C00041

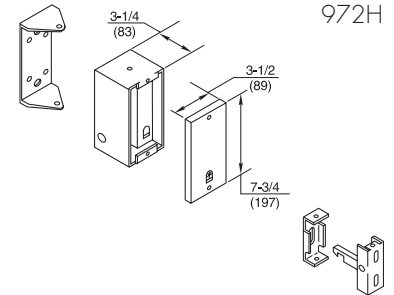
**Electrical Data**

- Voltage and current:  
120VAC, 60Hz., .150 amp  
24VAC, 60Hz., .150 amp  
24VDC, .08 amp  
12VDC, .08 amp
- Holding force 75 lbs

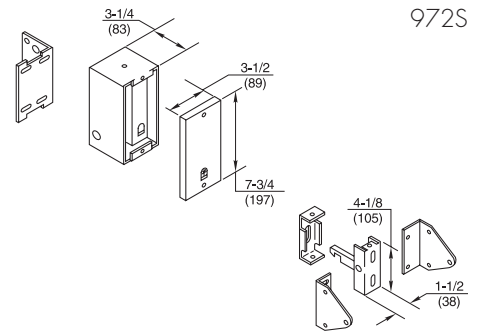
**Code Listings:**

- Underwriters' Laboratories, Inc.
- Underwriters' Laboratories of Canada
- State of California (3550-047:13)

972H for Swinging Doors



972S for Sliding Doors



972U for Overhead Doors

