






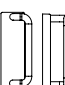



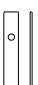










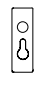
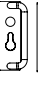
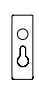
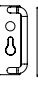





9400/F9400 Wide Stile Surface Vertical Rod Exit Devices

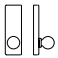
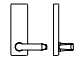
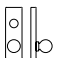
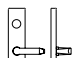


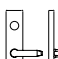
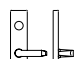


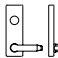
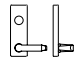
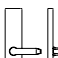


The 9400 and F9400 provide heavy-duty, secure, two-point latching at the top and bottom of the opening. Both the 9400

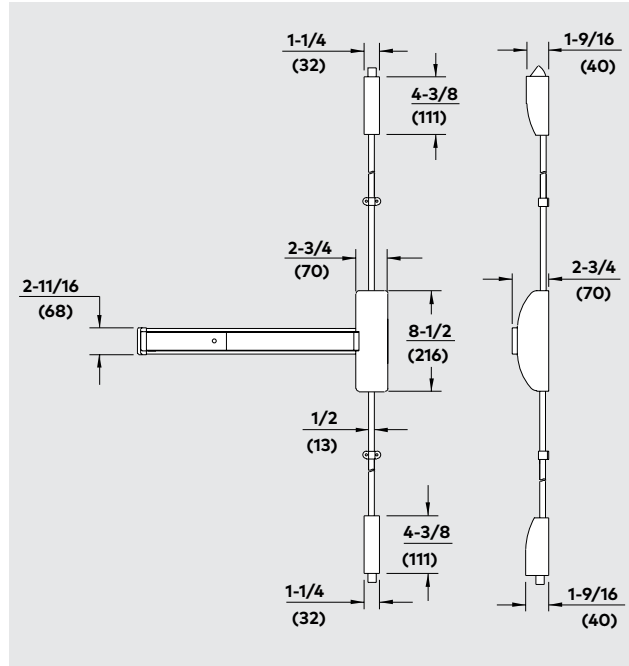
and F9400 Series feature a patented latch design for reliable, secure operation. The F9400 devices are U.L.-listed

for three-hour steel fire door applications.

Model	Function	Operation	Trim Model
9400 F9400	01	Exit Only (no trim)	
9400 F9400	DT	Dummy Trim	VODT  NPTDT  YODT 
9400	02	Entrance by trim when actuating bar is locked down.	V102  V302  PTT02  PRT02  YP02 
9400 F9400	03	Entrance by trim when latch bolt is retracted by key. Key removable only when locked.	VO03  V103  V303  NPT03  PTT03  PRT03  YO03  YP03 
9400 F9400	05	Entrance by thumbpiece. Key locks or unlocks thumbpiece.	HTT05  HRT05 
9400 F9400	06	Entrance by thumbpiece only when released by key. Key removable only when locked.	HTT06  HRT06 
9400 F9400	08	Entrance by knob or lever. Key locks or unlocks knob or lever.	YK08 
9400 F9400	09	Entrance by knob or lever only when released by key. Key removable only when locked.	YK09 
9400 F9100	11	Entrance by thumbturn and pull. Key locks or unlocks thumbturn.	Y011  YP11 
9400 F9100	12	Entrance by thumbturn and pull only when released by key. Key removable only when locked.	Y012  YP12 
9400	22	Entrance by thumbpiece (no cylinder). Trim always active.	HTT22  HRT22 
9400 F9400	23	Entrance by knob or lever (no cylinder). Knob or lever always active.	YK23 

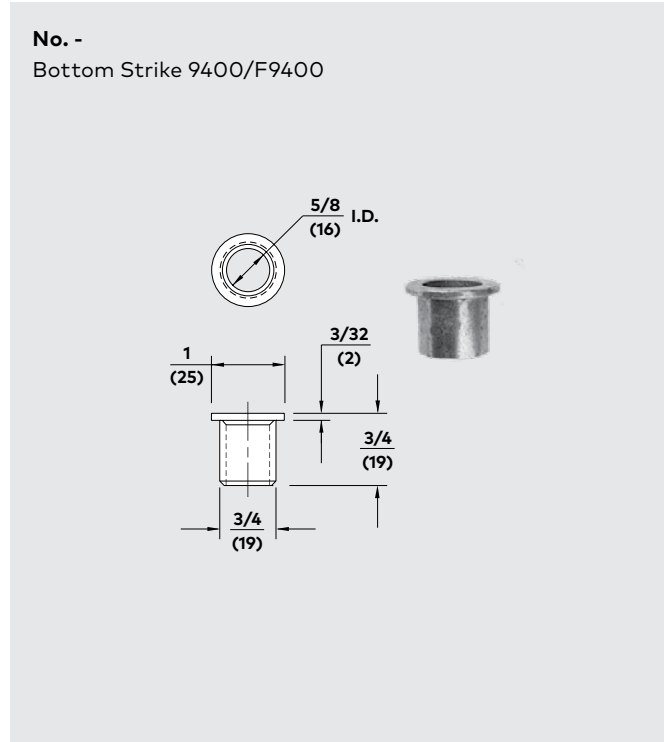
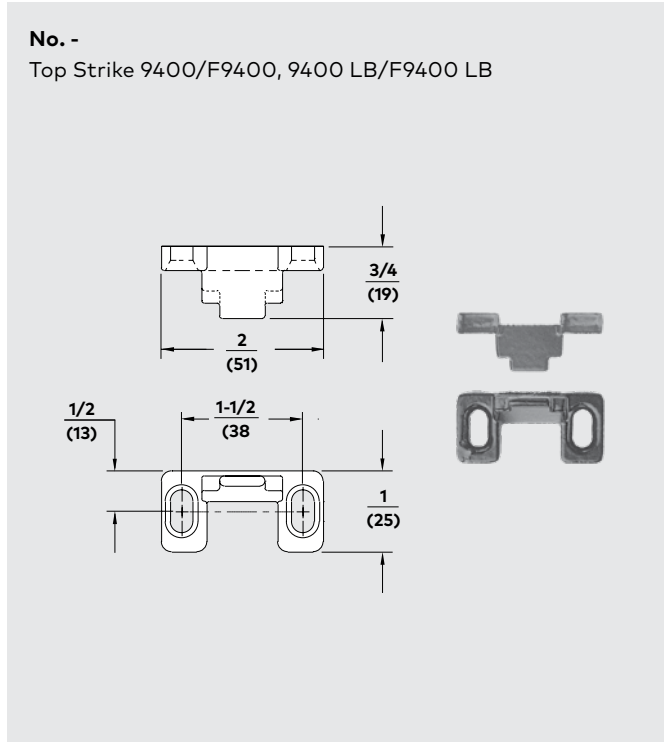
Trim Model

YK02R		Yx02R			
YK03R		Yx03R		9K03 9K03J	 
Yx08		Yx08C		9K08 9K08J	 
Yx09		Yx09C			
Yx23		9K23		9x23 	

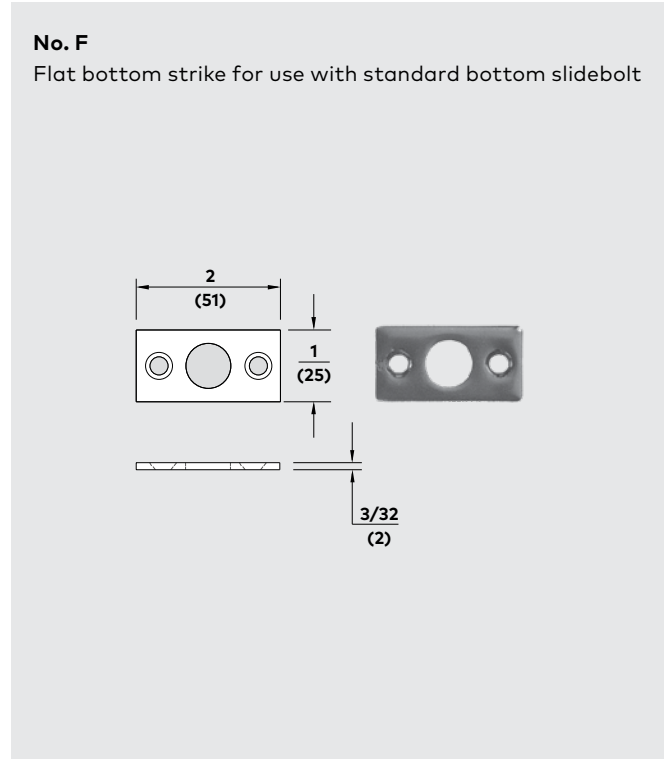
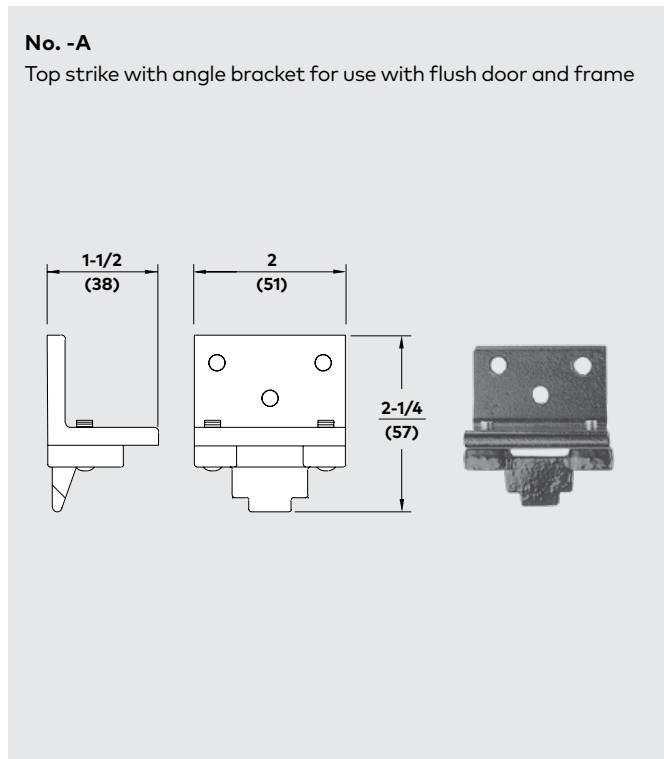


NOTE: When a trim designation includes an x (such as Yx23), replace x with the letter or number assigned to the chosen lever style. For example, YR23 specifies lever style R. See page 34 for details.

Standard Strikes



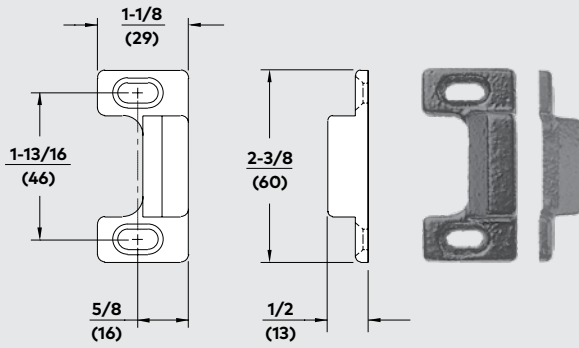
Optional Strikes



Optional Strikes

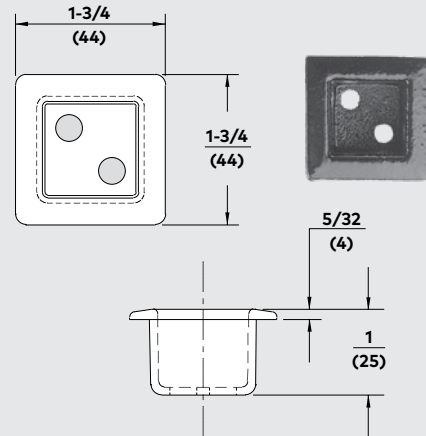
No. R

Surface mount bottom strike for use with optional pullman bottom latch



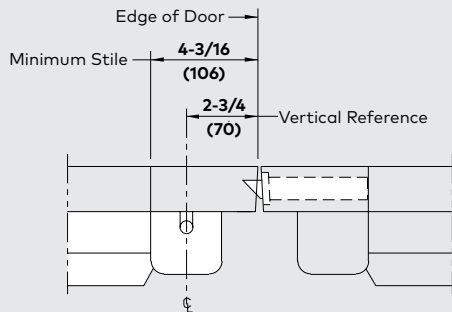
No. P

Recessed bottom strike for use with optional pullman bottom latch bolt



Minimum Stile & Vertical Reference

Vertical Rod x Mortise



Pair Vertical Rod

