

# 9150 Series



The 9150 Benchmark by LCN is an electrically powered low-energy operator. It provides easy access for people with disabilities, or the elderly. Designed primarily for automatic opening applications that occasionally require manual opening. The Benchmark is a cost-effective solution for retrofitting an activated or manual door.

## Features

<b>Certifications</b>	Grade 1 - ANSI A156.19, UL325/228, ADA, 100 Hour Salt Spray, Meets BAA - Buy American Act	<b>Cover</b>	Metal Cover (MC)
<b>Handing</b>	Non-handed	<b>Fasteners</b>	Wood and Machine Screws (WMS)
<b>Templating</b>	Peel-n-Stick templates - 2 3/8" x 6 3/4" mounting hole pattern	<b>Mounting</b>	Pair of doors, surface mount, offset pivot/butt hinges (push side)
<b>Door width</b>	<ul style="list-style-type: none"> <li>Minimum door width 52" - 96"</li> <li>72" door width only for full length double operator</li> </ul>	<b>Arms</b>	Regular Arm (REGARM)
<b>Warranty</b>	2 years	<b>Finishes/colors/powder coat</b>	<ul style="list-style-type: none"> <li>628 Aluminum, Anodized</li> <li>710 Dark Brown, Anodized</li> </ul>

**Special templates** | Customized installation templates or products may be available to solve non-standard applications. Contact LCN Product Support for assistance.

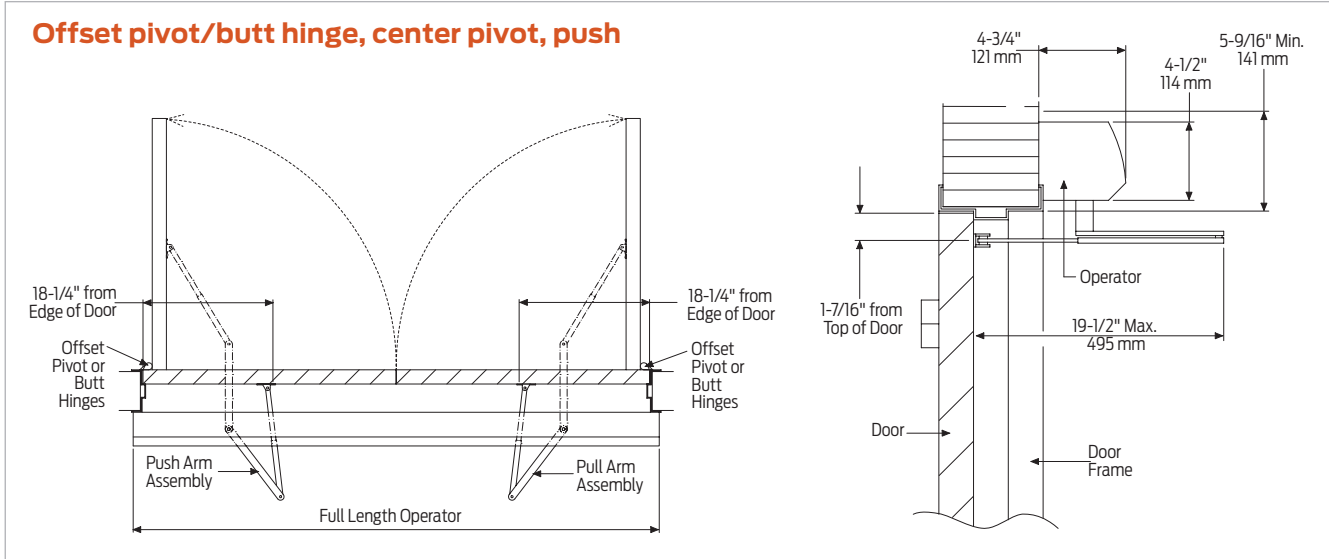
Mounting	Handing	Finish	Cover	Arm function
Surface mount single door	Handed	Standard anodized	Standard (single lever)	Offset pivot arm
Surface mount simultaneous pair	Non-handed	Metal	Regular (double lever)	Center pivot arm
Surface mount independent pair			Double egress (push/pull)	
Concealed single door				
Concealed simultaneous pair				
Concealed independent pair				

■ Available  
■ Not available

Introduction  
 Product selection guide  
 Pneumatic systems / Auto equalizers / 2610/4810/4820/4840/7900 Series  
 Electrohydraulic systems / Auto equalizers / 4630/4640 Series  
 Electromechanical systems / Benchmark / 9130/9140/9150 Series  
 Electromechanical systems / Senior Swing / 2810/2850/2860/9530/9540/9550/9560 Series  
 Actuators and accessories

## Mounting details

### Top jamb, independent/simultaneous pair mounting



<b>Butt hinges</b>	Should not exceed 5" (127 mm) in width
<b>Reveal</b>	Push installations should not exceed 6" (152 mm) for regular arm and 9 3/4" (248 mm) for long arm
<b>Top rail</b>	<ul style="list-style-type: none"> <li>Minimum 2" (51 mm)</li> <li>Flush ceiling installation requires 5 1/4" (133 mm) minimum</li> </ul>
<b>Head frame</b>	Minimum 2" (51 mm)
<b>Opening and closing time</b>	<ul style="list-style-type: none"> <li>Variable by adjustments to the electronic control module located on the operator assembly</li> <li>Maximum hold open time adjustable up to approximately 32 seconds</li> </ul>
<b>System diagram</b>	See pages 45 for typical system wiring and page 44 for electrical data
<b>Maximum opening</b>	Template allows 90 degree power opening and 90 degree manual opening

**Notes:**

- Determined by wiring
- Push N' Go permits non-switch activation with a microprocessor control box that ensures reliability and maintains customer settings
- Power boost allows for increased closing force near latch
- All potentiometers clearly labeled with their functions
- LED lights indicate power to control box and motor gearbox

## Accessories

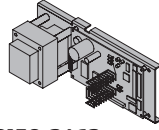
### Motor gearbox



**9150-3454S**  
Standard Motor Gearbox (MGB)

- Driving mechanism for operator (switch included)

### Control box



**9150-3462**  
Standard Controller (120 volts) (CTRL)

- Electronic controlling device with power supply output and power boost feature

### Arm



**9150-3077**  
Regular Arm (REGARM)

- Non-handed



**9150-3077L**  
Long Arm (LONG)

- Non-handed



**9150-79**  
Rod and shoe

- For use with regular arm



**9150-79LR**  
Long rod and shoe

- Used with long arm, for deep reveals

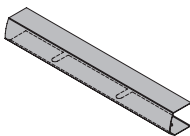
### Brackets



**9150-3018**  
Mounting Bracket

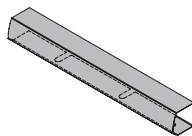
- Standard

### Covers



**9150-72MC**  
Standard 72" Metal Cover (MC72)

- Non-handed
- 72"
- Extruded aluminum cover
- Standard



**9150-163**  
Cover Insert

- Used to cover operator shaft opening (includes 2 pieces)



**9150-163-1**  
Cover End Cap Insert

- Used to cover switch hole opening



**9150-334**  
Cover End Cap

- Black plastic
- Includes 9130-163-1 cover and cap insert