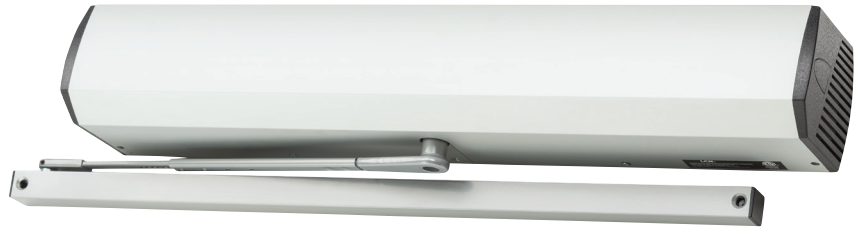


# 9130 Series



The 9130 Benchmark by LCN is an electrically powered low-energy operator. It provides easy access for people with disabilities, or the elderly. Designed primarily for automatic opening applications that occasionally require manual opening. The Benchmark is a cost-effective solution for retrofitting an activated or manual door.

## Features

<b>Certifications</b>	Grade 1 - A156.19, UL325/228, ADA, 100 Hour Salt Spray, Meets BAA - Buy American Act	<b>Cover</b>	<ul style="list-style-type: none"> <li>▪ Metal 27", standard</li> <li>▪ Metal 36", optional</li> </ul>
<b>Handing</b>	Non-handed	<b>Fasteners</b>	Wood and Machine Screws (WMS)
<b>Cover</b>	<ul style="list-style-type: none"> <li>▪ 30" - 48"</li> <li>▪ 30" minimum door width for 27"</li> <li>▪ 36" door width only for full length pull operator</li> </ul>	<b>Mounting</b>	Single interior door, surface mount, offset pivot/butt hinge (pull side)
<b>Warranty</b>	2 years	<b>Arms</b>	Standard arm and track
		<b>Finishes/colors/powder coat</b>	<ul style="list-style-type: none"> <li>▪ 628 Aluminum, Anodized</li> <li>▪ 710 Dark Brown, Anodized</li> </ul>

**Special templates** | Customized installation templates or products may be available to solve non-standard applications. Contact LCN Product Support for assistance.

Mounting	Handing	Finish	Cover	Arm function
Surface mount single door	Handed	Standard anodized	Standard (single lever)	Standard pivot arm
Surface mount simultaneous pair	Non-handed	Metal	Regular (double lever)	Offset pivot arm
Surface mount independent pair			Double egress (push/pull)	
Concealed single door			Offset pivot arm	
Concealed simultaneous pair				
Concealed independent pair				

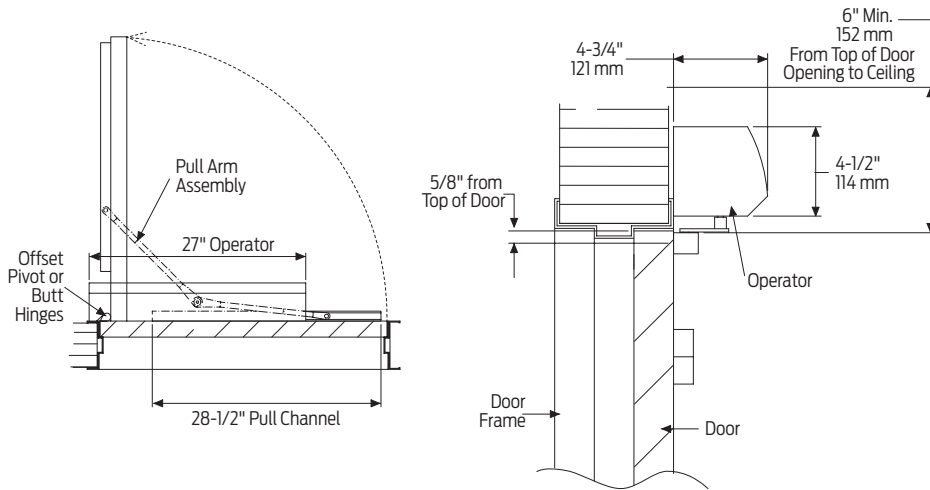
■ Available  
■ Not available

Introduction  
 Product selection guide  
 Pneumatic systems / Auto equalizers / 2610/4810/4820/4840/7900 Series  
 Electrohydraulic systems / Auto equalizers / 4630/4640 Series  
 Electromechanical systems / Benchmark / 9130/9140/9150 Series  
 Electromechanical systems / Senior Swing / 2810/2850/2860/9530/9540/9550/9560 Series  
 Actuators and accessories

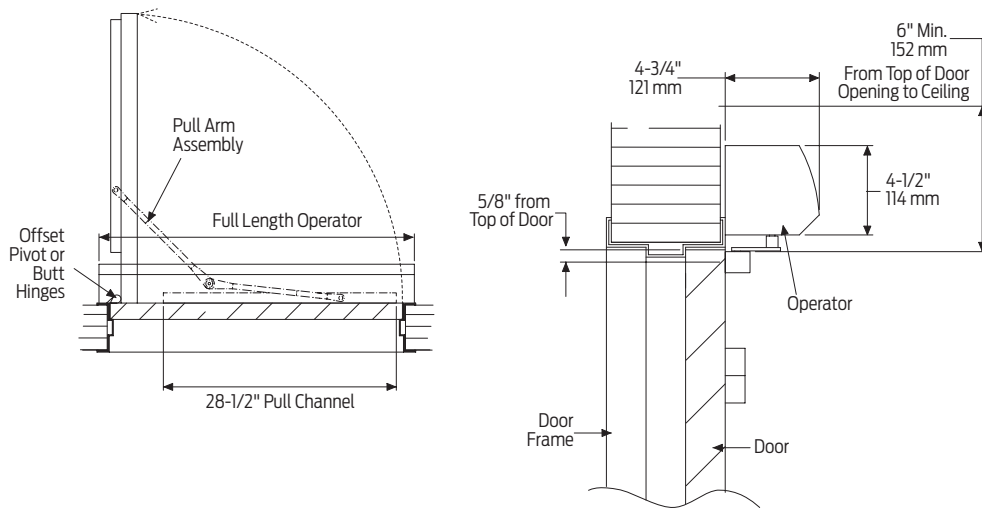
## Mounting details

### Top jamb (single door) mounting

#### Offset/butt hinge, center pivot, pull, standard cover



#### Offset/butt hinge, center pivot, pull, full cover



Butt hinges	Should not exceed 5" (127 mm) in width
Reveal	Should not exceed 1/8" (3 mm)
Top rail	Minimum 2" (51 mm)
Head frame	Minimum 2" (51 mm)
Opening and closing time	<ul style="list-style-type: none"> <li>Variable by adjustments to the electronic control module located on the operator assembly</li> <li>Maximum hold open time adjustable up to approximately 30 seconds</li> </ul>
System diagram	See page 45 for typical system wiring and page 44 for electrical data
Maximum opening	Template allows 90 degree power opening and 90 degree manual opening

Notes:

- Push 'N Go permits non-switch activation with a microprocessor control box that ensures reliability and maintains customer settings
- Power boost allows for increased closing force near latch
- On/off switch is included as standard
- All potentiometers are clearly labeled with their functions
- LED lights indicate power to control box and motor gearbox

## Accessories

### Motor gearbox



**9130-3454S**  
**Standard Motor Gearbox (MGB)**

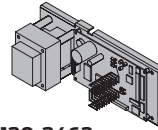
- Driving mechanism for operator (switch included)
- For 27" unit



**9130-3454**  
**Standard Motor Gearbox (MGB) (W/O Switch)**

- Driving mechanism for operator (switch not included)
- For full length 36" unit

### Control box



**9130-3462**  
**Standard Controller (120 volts) (CTRL)**

- Electronic controlling device with power supply output and power boost feature

### Arm



**9130-3077T**  
**Standard Arm (STDTRKARM)**

- Non-handed
- Track roller not included



**9130-3077PLCM**  
**Standard Arm (STDTRKARM)**

- Non-handed
- Standard non-handed track

### Track



**9130-3038**  
**Standard Track (STDTRK)**

- Non-handed
- Standard



**9130-73**  
**Track End Cap**

- Black plastic

### Installation accessories



**9130-3034**  
**Roller assembly**

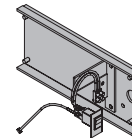
- Quiet low friction

### Brackets



**9130-3018**  
**Mounting Bracket**

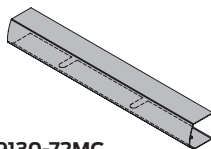
- Standard



**9130-3351-2**  
**Switch bracket**

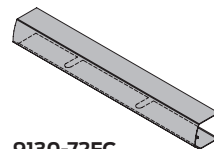
- 41" cable
- Bracket used to locate switch at end of cover on full length unit

### Covers



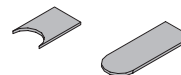
**9130-72MC**  
**Standard 27" Metal Cover (MC27)**

- Non-handed
- 27"
- Extruded aluminum
- Standard



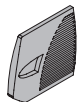
**9130-72FC**  
**Full Metal Cover 36" (FMC)**

- Non-handed
- 36"
- Extruded aluminum



**9130-163**  
**Cover Insert**

- Used to cover operator shaft opening (includes 2 pieces)



**9130-163-1**  
**Cover End Cap Insert**

- Used to cover switch hole opening



**9130-334**  
**Cover End Cap**

- Black plastic
- Includes 9130-163-1 cover and cap insert

Introduction  
 Product selection guide  
 Pneumatic systems  
 Auto equalizers  
 2610/4810/4820/4840/7900 Series  
 Electrohydraulic systems  
 Auto equalizers  
 4630/4640 Series  
 Electromechanical systems  
 Benchmark  
 9130/9140/9150 Series  
 Electromechanical systems  
 Senior Swing  
 2810/2850/2860/9530/9540/9550/9560 Series  
 Actuators and accessories