

# 80 SERIES PARTS LIST

59-8706 59-8710  
 59-8713 59-8715  
 59-8728 59-8762  
 59-8763

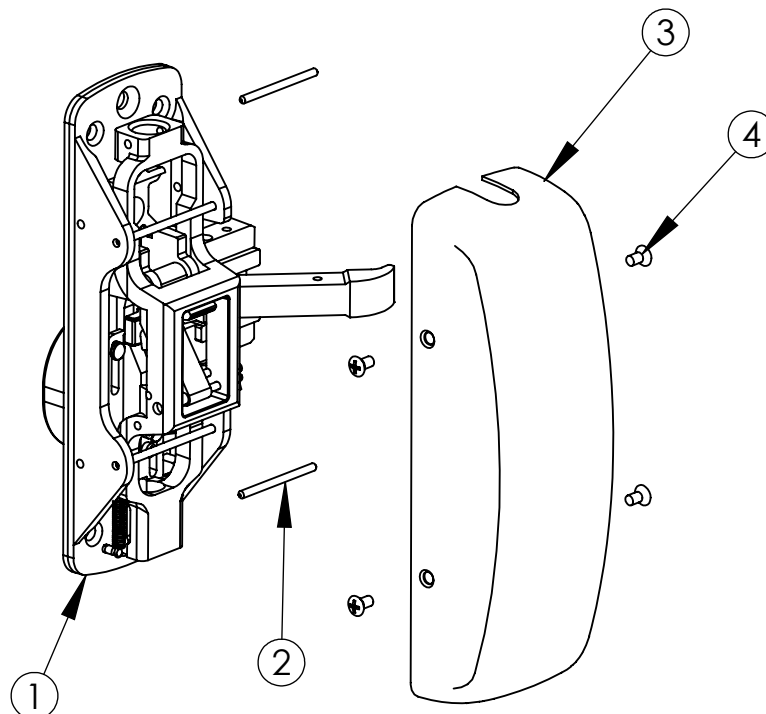
## PARTS LIST

PAGE REV.  
 No. 87.15 B

9/2009

ITEM No.	PART No.	DESCRIPTION	QTY
1	68-3714	CHASSIS 06 OR 13 LH (CHASSIS LOCKS TRIM)	1
	68-3715	CHASSIS 06 OR 13 RH (CHASSIS LOCKS TRIM)	
	68-3717	CHASSIS 15 LH (ALL LOCKING DONE IN TRIM)	
	68-3718	CHASSIS 15 RH (ALL LOCKING DONE IN TRIM)	
	68-3823	CHASSIS 10 LH	
	68-3824	CHASSIS 10 RH	
	68-3826	CHASSIS 62 OR 63 LH (CHASSIS LOCKS TRIM)	
	68-3827	CHASSIS 62 OR 63 RH (CHASSIS LOCKS TRIM)	
	68-3829	CHASSIS 28 LH	
	68-3830	CHASSIS 28 RH	
2	97-0048	ROD ADJUSTMENT PIN	2
3	68-0405	COVER *	1
4	97-0052	SCREW * #8-32 x 5/16	4
	68-3026	12- SCREW PACK WOOD DOOR 1 3/4"	1
	68-3027	12- SCREW PACK WOOD DOOR 2 1/4"	
	68-3028	12- SCREW PACK METAL DOOR	

\* SPECIFY FINISH



© SARGENT Manufacturing Company. All Rights reserved.

**SARGENT**  
**ASSA ABLOY**