



7100(F), 7150(F)(WS) Rim and SquareBolt® Installation Instructions (Single Doors or Pairs with Mullion)

Note: These installation instructions cover standard product only. To install options, such as shim kits or interlock brackets, refer to the instructions packed with the optional component.

Packed For Reinforced Metal Doors.

Optional Sex Nuts Required For Unreinforced Metal, Composite and Wood Doors.

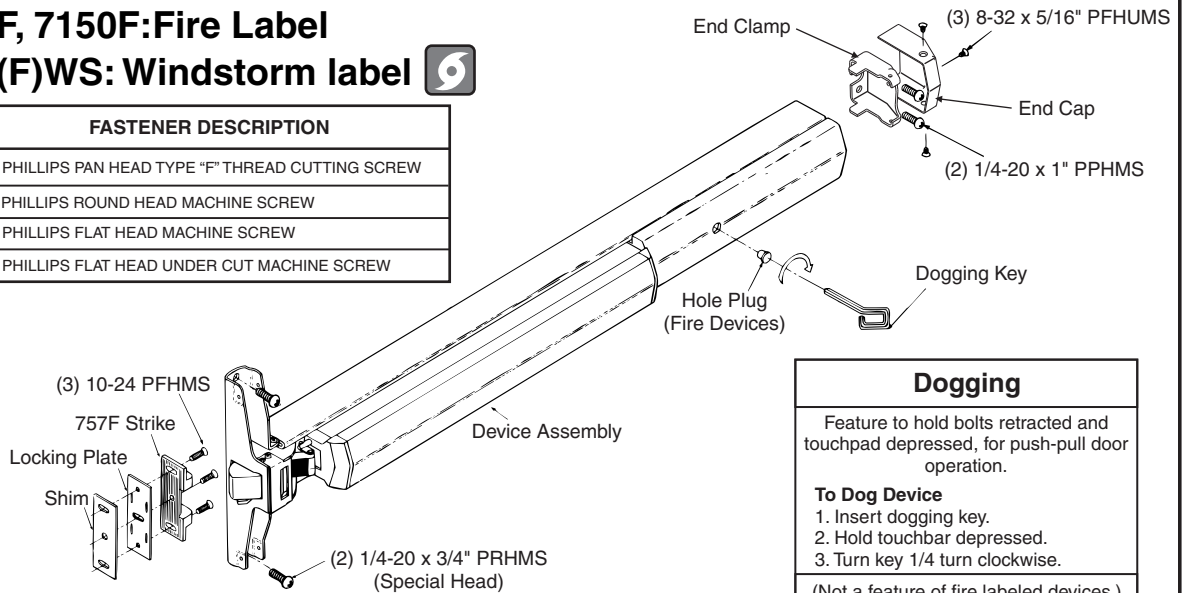
Outside Trim: Device is packed ready for any applicable Yale® Trim.

7100, 7150: Panic Label

7100F, 7150F: Fire Label

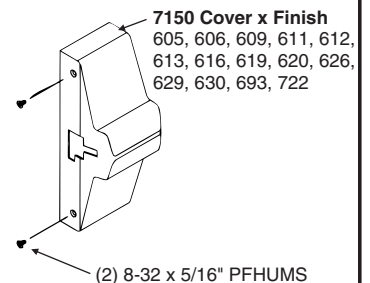
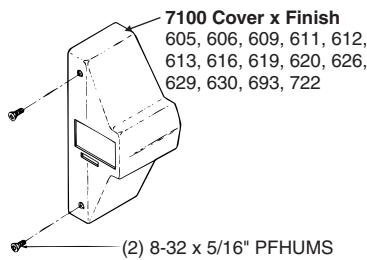
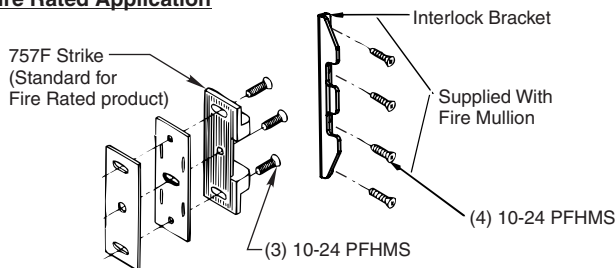
7150(F)WS: Windstorm label 

ABBREVIATION	FASTENER DESCRIPTION
PPH"FTCS	PHILLIPS PAN HEAD TYPE "F" THREAD CUTTING SCREW
PRHMS	PHILLIPS ROUND HEAD MACHINE SCREW
PFHMS	PHILLIPS FLAT HEAD MACHINE SCREW
PFHUMS	PHILLIPS FLAT HEAD UNDER CUT MACHINE SCREW

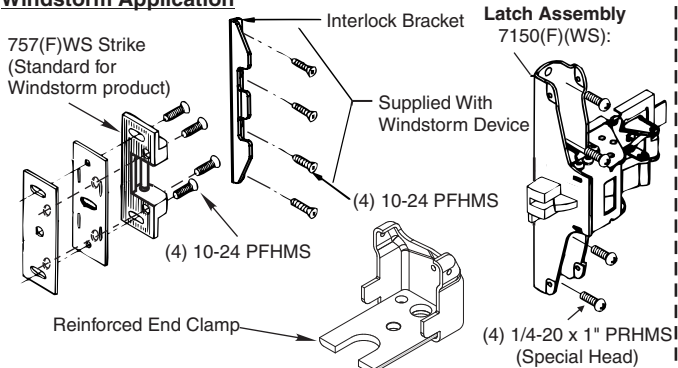


Dogging
Feature to hold bolts retracted and touchpad depressed, for push-pull door operation.
To Dog Device
1. Insert dogging key.
2. Hold touchbar depressed.
3. Turn key 1/4 turn clockwise.
(Not a feature of fire labeled devices.)

Fire Rated Application



Windstorm Application

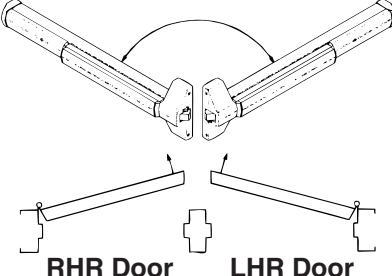


Attention Installer

Any retrofit or other field modification to a fire rated opening can potentially impact the fire rating of the opening, and Yale Locks & Hardware makes no representations or warranties concerning what such impact may be in any specific situation. When retrofitting any portion of an existing fire rated opening, or specifying and installing a new fire-rated opening, please consult with a code specialist or local code official (Authority Having Jurisdiction) to ensure compliance with all applicable codes and ratings.

All dimensions are in inches (mm) unless otherwise noted.



For Doors of Either Hand	Shim Kit Options	Maintenance
 <p>RHR Door LHR Door</p>	<p>7250M Windstorm Kit: Model N^o: 723NSWS, Black Finish</p> <p>Kit consists of (3) Latch Head Shims (Device Cover seats on shims), (3) End Clamp Shims (End Cap seats on shims), and longer fasteners.</p> <p>Note: Shim Kit required for Windstorm application.</p>	<ol style="list-style-type: none"> Periodically remove covers and coat mechanisms with a silicone base lubricant. This is particularly required in corrosive environments for proper product function. Check mounting fasteners periodically. Retighten if found loose. Apply screw locking compound (available at automotive part stores) or change part fasteners if screws continue to back up. Periodic checks (and adjustments) of strikes are required to compensate for changes in the opening (e.g. door sagging).

Check Before Starting

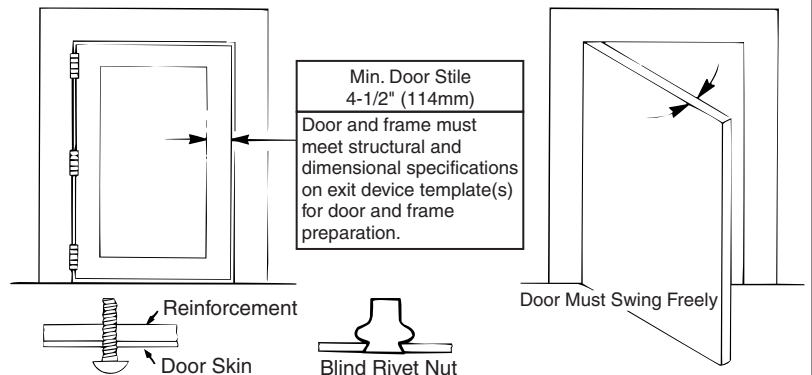
Unreinforced Doors or Frames

Doors and Frames with walls having a structural thickness (metal skin plus reinforcement or solid hardwood) to engage less than (3) full screw threads are considered unreinforced.

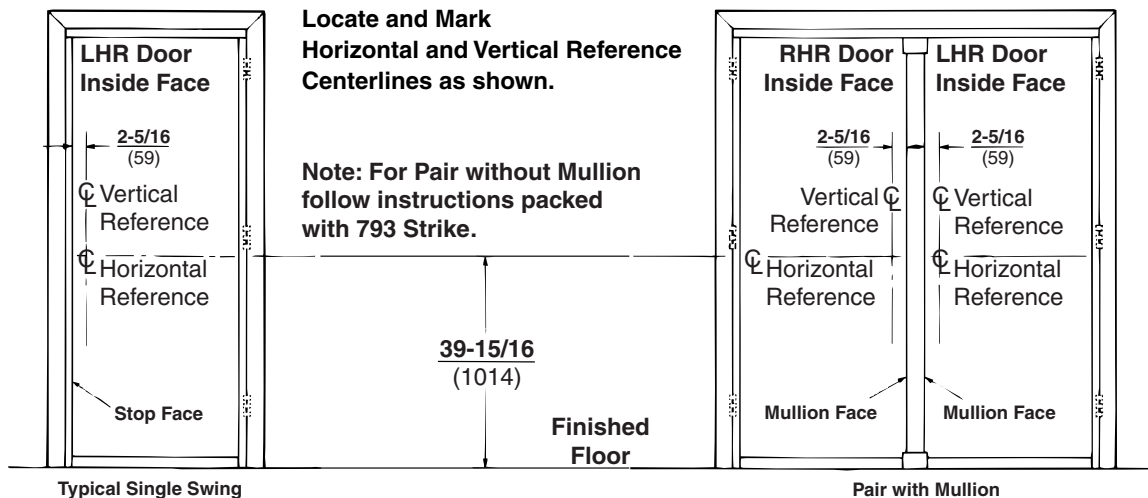
Unreinforced Doors: Use SNB (sex nuts and bolts).

Unreinforced Frames: Use Blind Rivet Nuts.

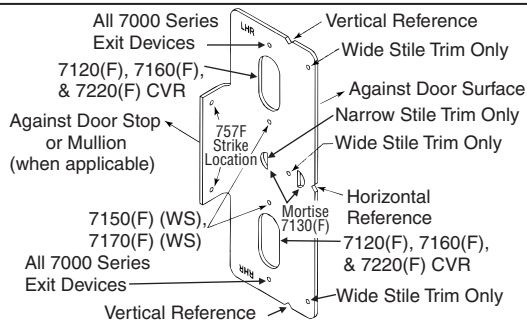
Recommended fasteners for unreinforced openings are not necessarily supplied by Yale Security, Inc.



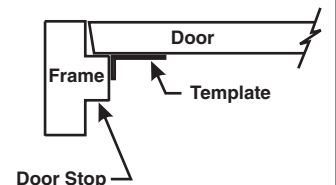
1. Mark Door



2. Prepare Door & Frame



- Seat plastic template on door and stop faces.
- Align horizontal and vertical centerlines.
- Locate and tape Trim Template on door. (See instructions packed with Trim).
- Spot and prepare holes.

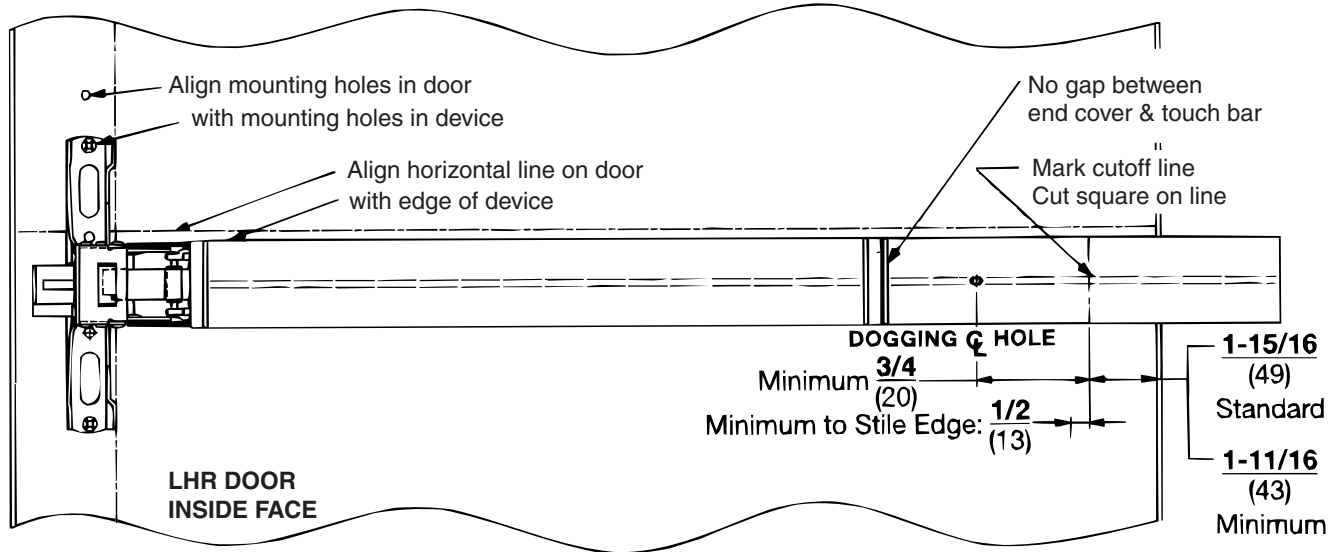


Device: Each (2) 1/4-20 Machine Screws* OR (2) 3/8" (10) Dia. Optional Sex Nuts & Bolts. (*) *Metal reinforced door only.*

Strike: (2) 10-24 Machine Screws OR (2) #10 Wood Screws

3. Size Device

Device must be field cut to size, unless standard opening and device are 36" (0.91m).



4. Clear Raised Door Molding

Device (head bar and end cap) must seat flush on door surface or on shims that keep it parallel to door face.

(1) Shim Kit #723 needed to clear each $\frac{1}{8}$ " (3mm) of raised molding. Longer mounting screws needed when more than two (2) Shim Kits are used. See instructions provided with shim kits for installation.

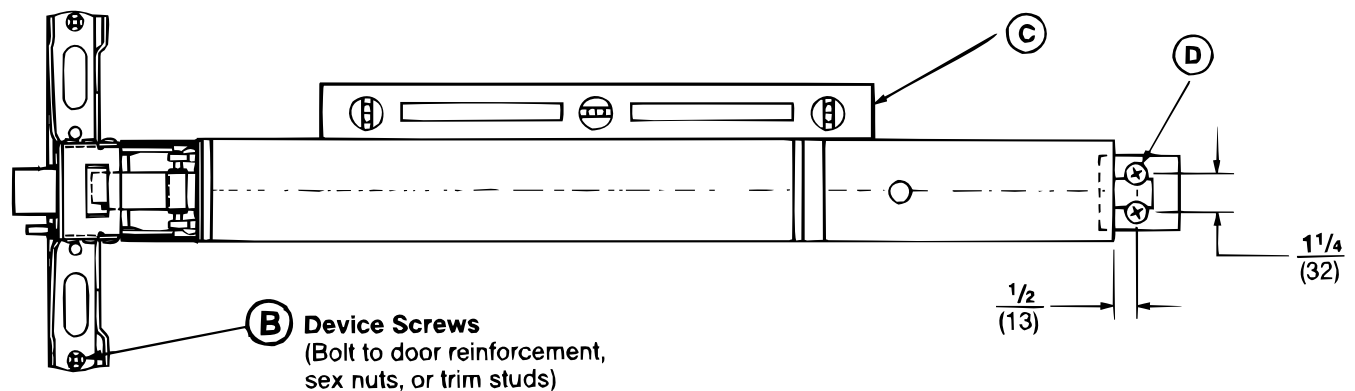
5. Mount Components

A. Mount Trim (Follow instructions packed with trim).

C. Set Bar level. Locate End Clamp holes.

B. Seat Bar in place. Fasten Device Head (2 PRHMS or SNB).

D. Prepare End Clamp Mounting holes. Mount End Clamp. (2 #1/4-20 PRHMS or 3/8" (10) dia. SNB)



E. Check Bolt Retraction.

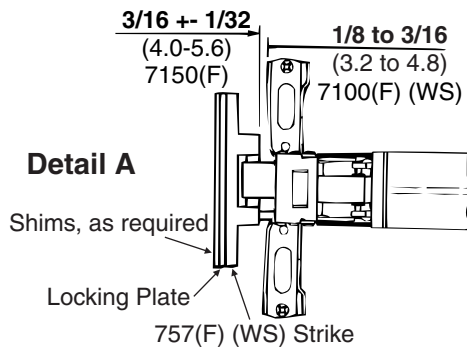
1. Depress bar (bolts must retract). Release bar (bolts must extend).
2. Actuate trim (bolts must retract). Release trim actuator (bolts must extend).
3. Depress touchbar, turn dogging key clockwise (bar must remain depressed, bolts

must remain retracted). Turn dogging key counterclockwise (bar and bolts must return to extended position).

F. Tighten all mounting screws.

Note: When resulting operation is faulty, check first for visible binding or interference. If there is no apparent reason for the fault, remove item from the door and recheck its operation before assuming that it is defective.

6. Install Strike



Detail A

A. Position Strike Projection (Strike + Locking Plate + Shims, if needed). See Detail A.

B. Position Strike Depth

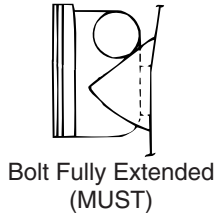
- 7100(F) (WS), See Detail B.
- 7150(F) (WS), see Detail B1

C. Fasten Strike Securely, as shown on Detail C.

D. Check Bolt Engagement.

1. Bolt should retract to clear the strike, when actuated by bar, trim, or dogging action. Bolt should consistently reengage the strike, when actuators are released and the door shuts.
2. Door should remain latched and not rattle when pushed, pulled, or shaken in/out.

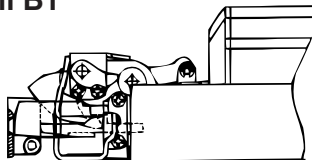
Detail B



E. (Fire Devices only) Lock strike in place. See Detail E.

1. Prepare for and install strike center screw (1 #10-24 PFHMS). See E1.
2. Windstorm Strike Application: Prepare for and install strike locking screws (2 #10-24 PFHMS). See E2.

Detail B1

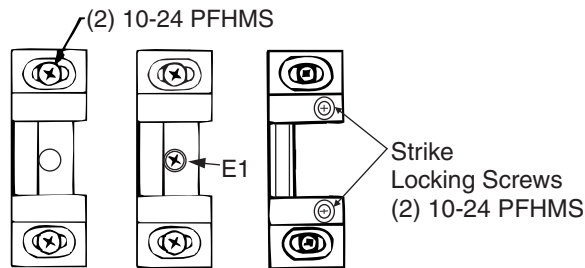


Bolt Fully Extended
Tangent to Roller
(MUST)

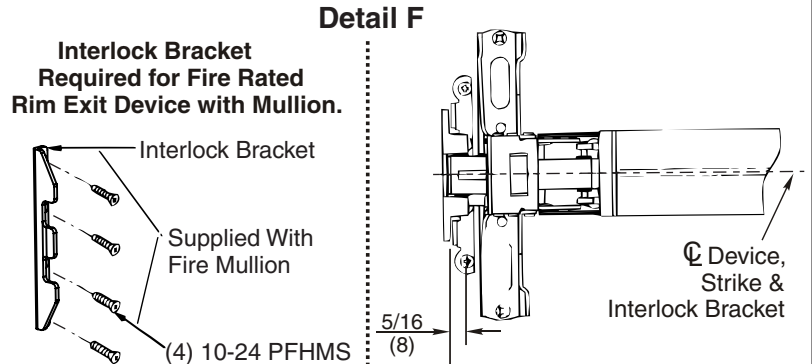
F. (Fire Mullion & Windstorm Installations Only) Stabilize strike. See Detail F.

1. Position strike interlock bracket in place as shown. Locate bracket holes.
2. Prepare interlock bracket mounting holes. Mount interlock bracket (4 #10-24 PFHMS or SNB).

NOTE: Interlock bracket and screws supplied with Fire Mullion and Windstorm products. Windstorm interlock bracket supercedes interlock bracket supplied with Fire Mullion. If using Windstorm product, remove and discard Fire Mullion interlock bracket.

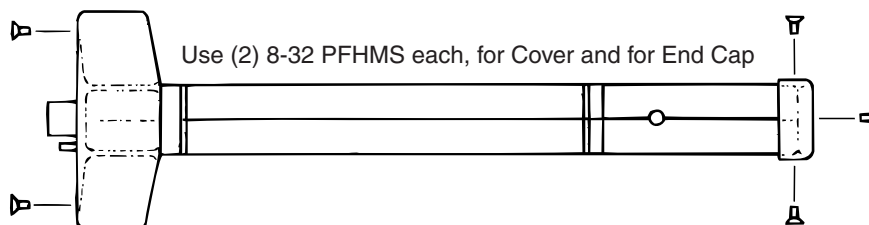


Detail C Detail E Detail E2



Detail F

7. Install Head Cover & End Cap Top



Yale Locks & Hardware

Product Support Tel 800.438.1951 • www.yalelocks.com

Yale Locks & Hardware is a division of Yale Security Inc., an ASSA ABLOY Group company.

Yale® and SquareBolt® are registered trademarks of Yale Security Inc., an ASSA ABLOY Group company. Other products' brand names may be trademarks or registered trademarks of their respective owners and are mentioned for reference purposes only. These materials are protected under U.S. copyright laws. All contents current at time of publication.

Yale Security Inc. reserves the right to change availability of any item in this catalog, its design, construction, and/or its materials.

Copyright © 1997, 2015, Yale Security Inc., an ASSA ABLOY Group company.

All rights reserved. Reproduction in whole or in part without the express written permission of Yale Security Inc. is prohibited.