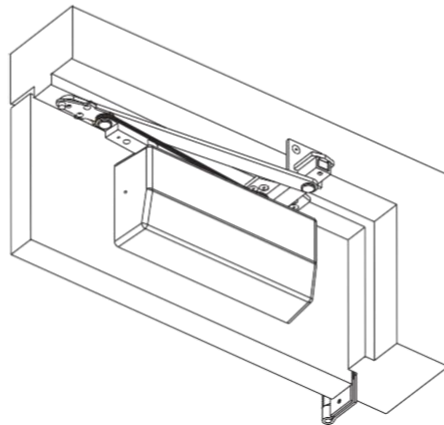


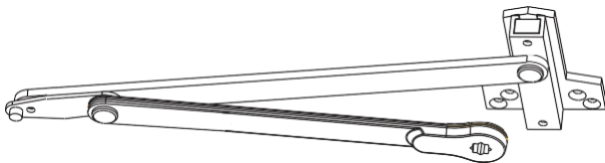
Installation Instructions

As Easy As **A** — **B** — **C** → **F**

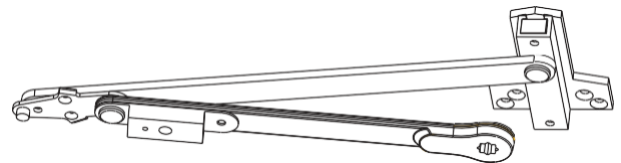


DC8210 Series
Multi-Sized 1 thru 6

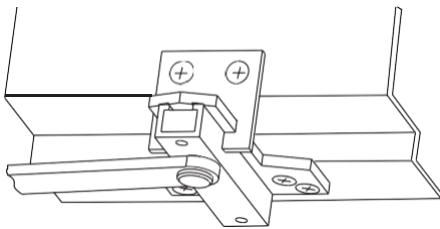
**Universal Door Closers with
Unitrol® Arms (by Norton)**



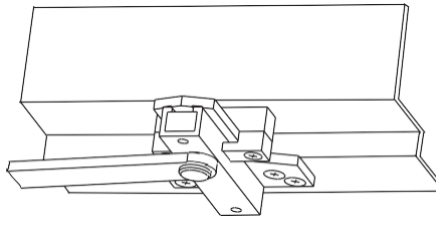
A11 - Non-Hold Open Arm



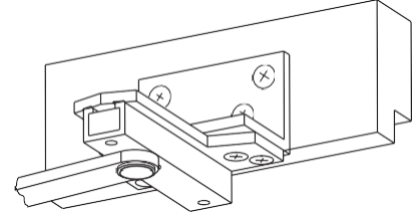
A12- Hold Open Arm



**STANDARD APPLICATION
WITH 615F58 BRACKET**



**DEEP REVEAL APPLICATION WITH
M103 OPTION (615F59 CLAMP KIT)**



**FLUSH PARTITION APPLICATION WITH
M104 OPTION (615F60 BRACKET)**

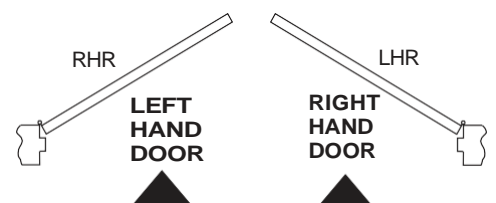
IMPORTANT:

- An improperly installed or incorrectly adjusted door closer may cause **property damage** or **personal injury**; and will void product warranty.
- To avoid personal injury, **DO NOT DISASSEMBLE THIS DOOR CLOSER BODY.**
- Door closers must be securely fastened to a properly reinforced door and frame with fasteners provided.
- Door closers with a HOLD OPEN ARM (A12) are not permitted to be installed in fire door assemblies.
- Door and frame must be specifically templated for 85°, 90°, 95°, 100°, 105° or 110° door swing.

Size of Door & Door Closer

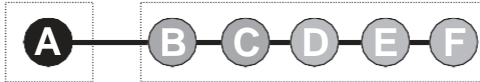
Type of Installation	Interior	Exterior In-swinging	Exterior Out-swinging	Recommended Closer Size	**Max. Opening Force lbs/f
Parallel Arm	2'4"	_____	_____	1	8
	2'6"	_____	_____	2	14
	3'0"	_____	2'6"	3	16
	3'6"	_____	3'0"	4	22
	4'0"	_____	3'6"	5	24
	4'6"	_____	4'0"	6	26

**TO DETERMINE
HAND OF
YOUR DOOR:**

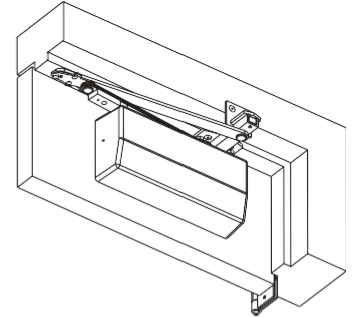


****NOTE:** These forces are for standard templating with bearing type hinges and do not account for pressure differentials and draft.

DC8210 x A11 or A12 Parallel Arm Installation Instructions



This & Next Page Following Pages (3 , 4 , 5)



NOTE:

- See chart to select degree of door opening and Door width for your door. Then, determine frame condition: STANDARD & DEEP REVEAL (use Dim's A & B) or FLUSH PARTITION (use Dim's A & C).
- MINIMUM TOP RAIL for Standard Application: 5 (127)
- MINIMUM TOP RAIL for Drop Plate Application: 2 (51)

*Dimension "C" is only used for Flush Partition application (Frame Template 3).

Opening		DOORS 28" TO 32"			DOORS 33" TO 41"			DOORS 42" TO 48"		
		615F52 NHO ARM (A11) 615F51 HO ARM (A12)			615F54 NHO ARM (A11) 615F53 HO ARM (A12)			615F56 NHO ARM (A11) 615F55 HO ARM (A12)		
HOLD OPEN	DEAD STOP	Dim. A	Dim. B	*Dim. C	Dim. A	Dim. B	*Dim. C	Dim. A	Dim. B	*Dim. C
85°	90°	5-3/4 (146)	9-3/4 (248)	9-7/8 (251)	8-1/8 (206)	11-7/8 (302)	12 (305)	10-1/4 (260)	14-1/4 (362)	14-3/8 (365)
90°	95°	5-1/4 (133)	9-1/4 (235)	9-3/8 (238)	7-5/8 (194)	11-3/8 (289)	11-1/2 (292)	9-3/4 (248)	13-3/4 (349)	13-7/8 (352)
95°	100°	4-3/4 (121)	8-3/4 (222)	8-7/8 (225)	7-1/8 (181)	10-7/8 (276)	11 (279)	9-1/8 (232)	13-1/8 (333)	13-1/4 (337)
100°	105°	4-3/8 (111)	8-3/8 (213)	8-1/2 (216)	6-5/8 (168)	10-3/8 (264)	10-1/2 (267)	8-1/2 (216)	12-1/2 (318)	12-5/8 (346)
105°	110°	4 (102)	8 (203)	8-1/8 (206)	6-1/4 (159)	10 (254)	10-1/8 (257)	8 (203)	12 (305)	12-1/8 (308)
110°	115°	3-3/4 (95)	7-3/4 (197)	7-7/8 (200)	6 (152)	9-3/4 (248)	9-7/8 (251)	7-5/8 (194)	11-5/8 (295)	11-3/4 (298)

Templates

Mark Door and Jamb (for arm bracket).

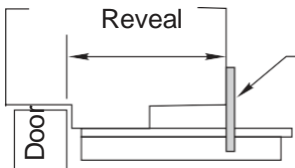
3 Options of Frame Templates:

- Standard Application, This Page (1)
- Deep Reveal, Page 2
- Flush Partition, Page 3

FRAME TEMPLATE 1A

(Standard Application with 615F58 Bracket)

Frame Reveals 1-7/8" to 4-5/8" (48mm to 117mm)



Door Template is Typical for all Frame Templates and

NOTES:

- Check hand of door, see page 2
- Right Hand Application Shown
- Left Hand Opposite
- Dimensions given in inches (mm).
- Do Not Scale Drawing.
- Closer must be installed in a true horizontal plane to ensure proper closer performance.

MOUNTING SCREW SPECIFICATIONS

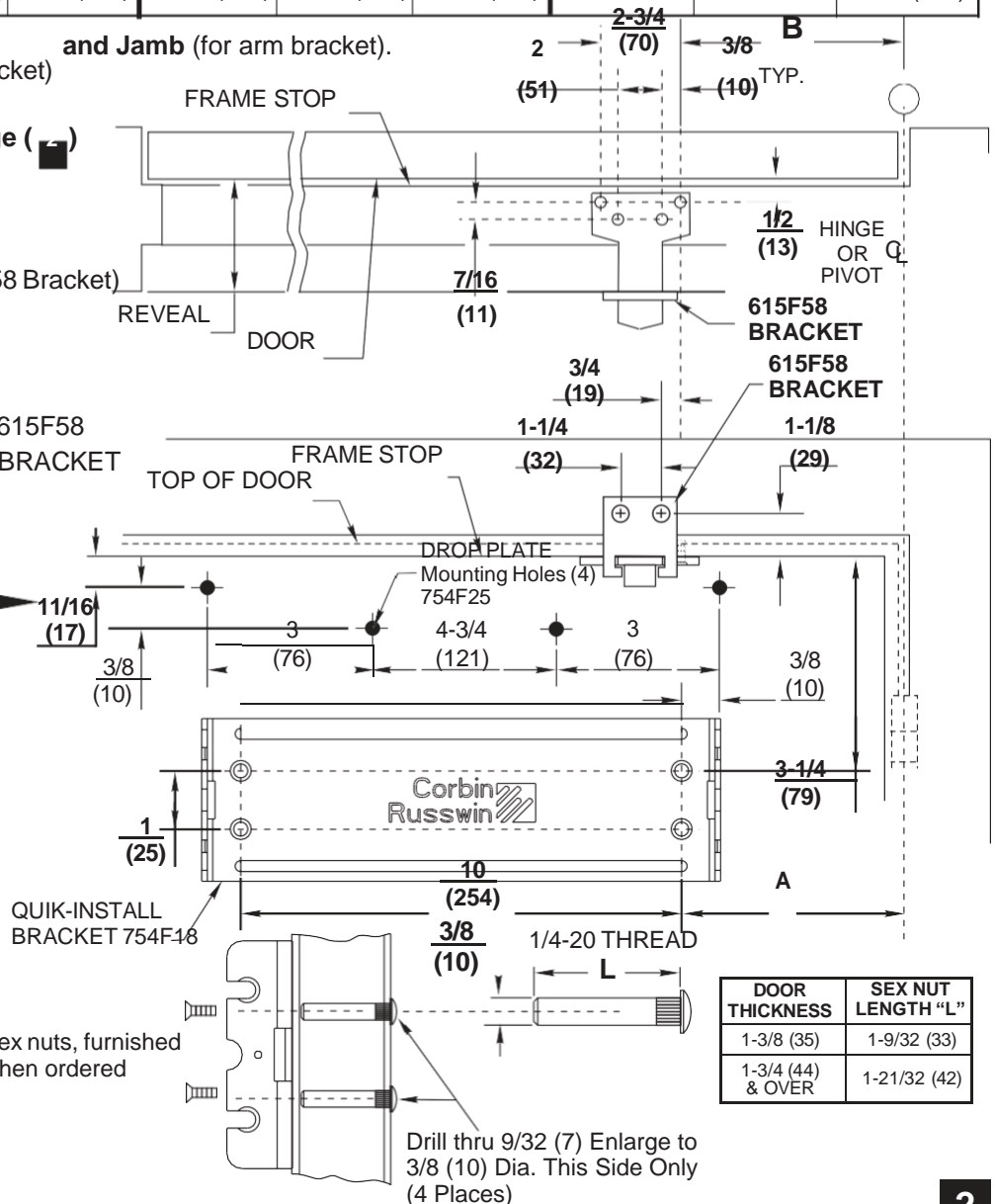
ARM AND QUIK-INSTALL BRACKET

#12-14 self-drilling screw.
1/8 (3) diameter pilot hole required for Wood Applications.



ASSA ABLOY

80-9380-8003-152 Rev. 07/09



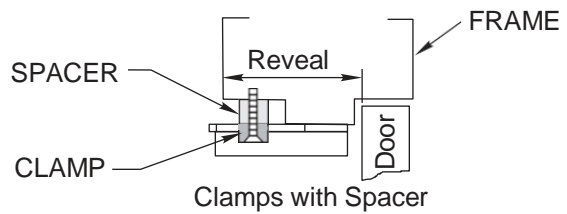
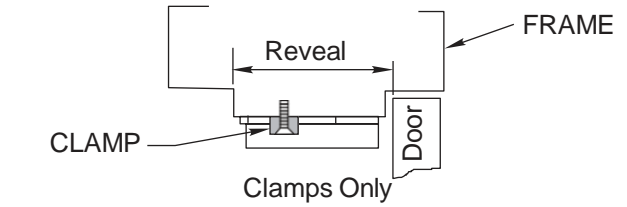
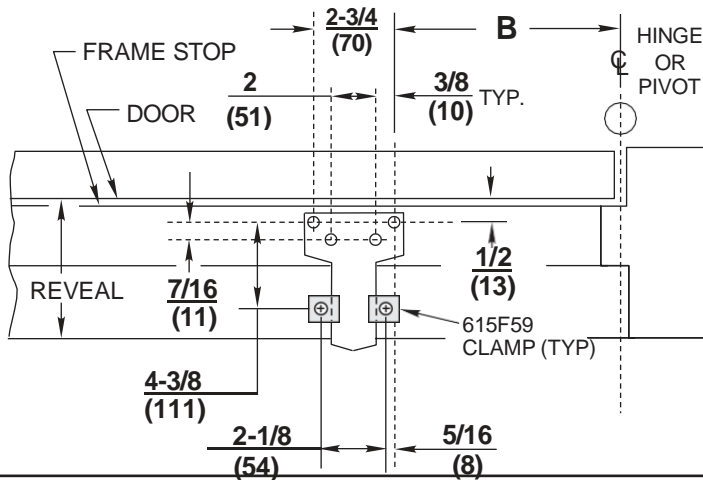
DOOR THICKNESS	SEX NUT LENGTH "L"
1-3/8 (35)	1-9/32 (33)
1-3/4 (44) & OVER	1-21/32 (42)

Drill thru 9/32 (7) Enlarge to 3/8 (10) Dia. This Side Only (4 Places)

DC8210 x A11 or A12 Parallel Arm Installation Instructions

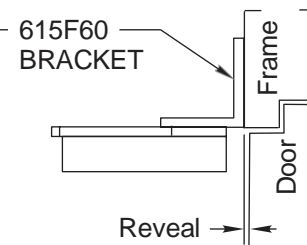
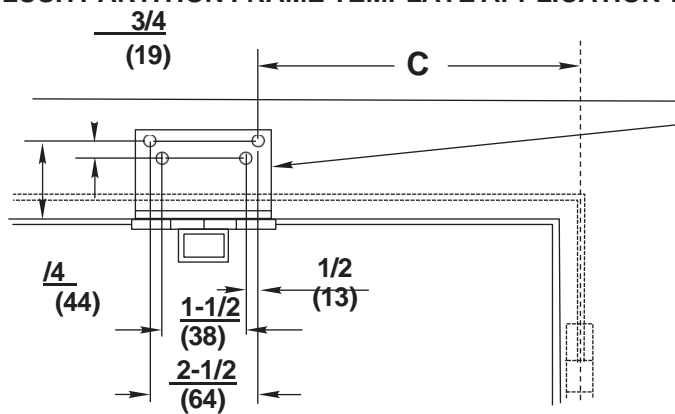
A2 DEEP REVEAL FRAME TEMPLATE APPLICATION with M103 OPTION (615F59 CLAMP KIT)

Frame Reveals Over 4-5/8" (117mm)

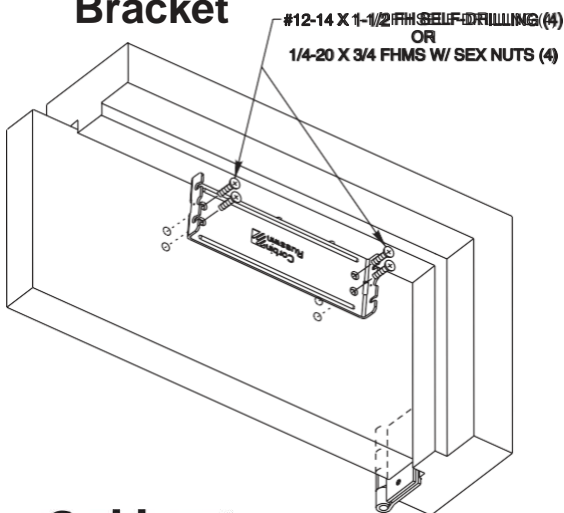


A3 FLUSH PARTITION FRAME TEMPLATE APPLICATION with M104 OPTION (615F60 BRACKET)

Frame Reveals 0" to 1/8" (0mm to 3mm)

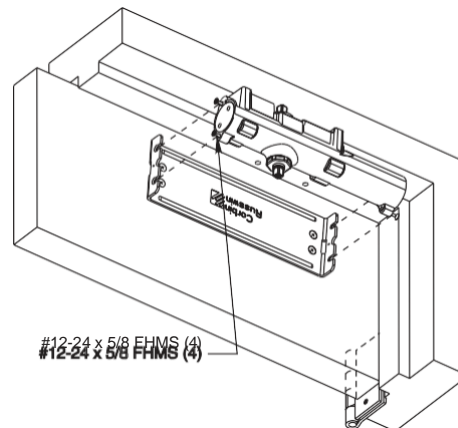


B Mount QUIK-INSTALL Bracket

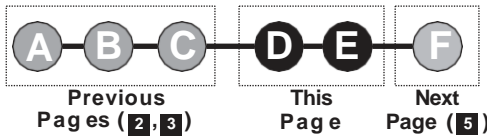


C Mount Closer Body to QUIK-INSTALL Bracket

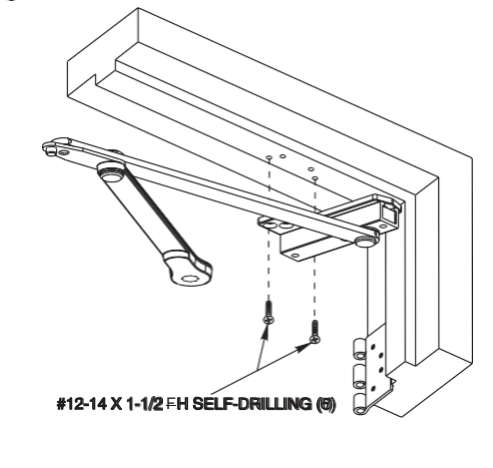
- Start the four mounting screws into the four closer mounting holes.
- Place the closer onto the QUIK-INSTALL bracket with the four mounting screws inserted into the four QUIK-INSTALL bracket slots.
- Tighten the four mounting screws to fasten the closer body to the QUIK-INSTALL bracket.



DC8210 x A11 or A12 Parallel Arm Installation Instructions



D Mount Arm to Door Frame

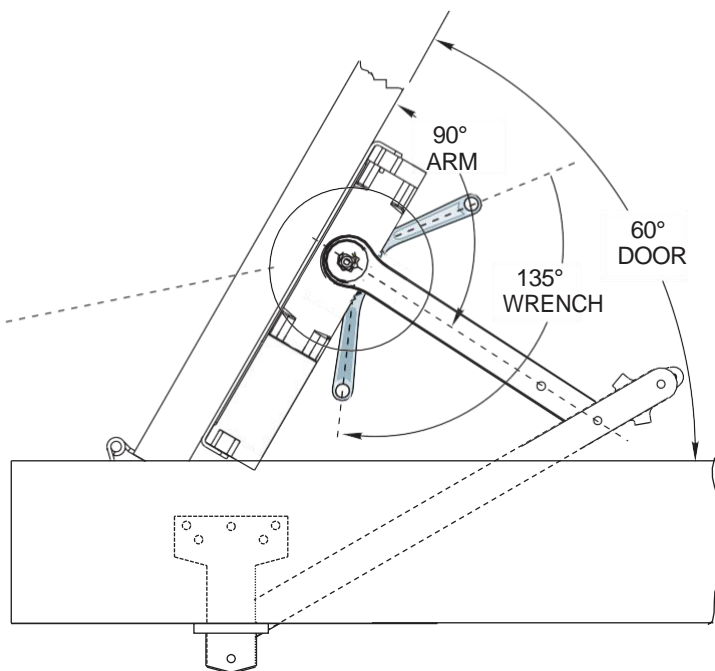
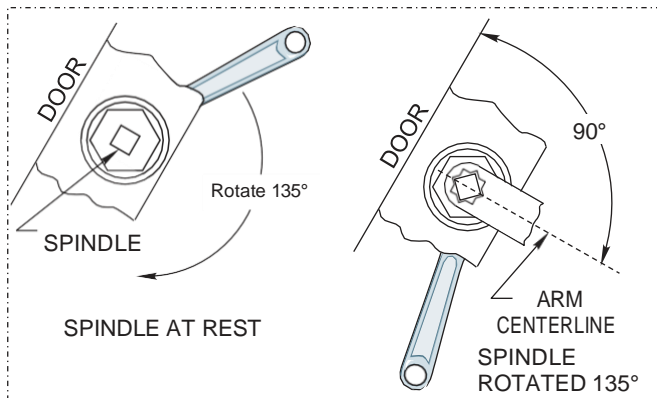


E Connect Arm To Closer

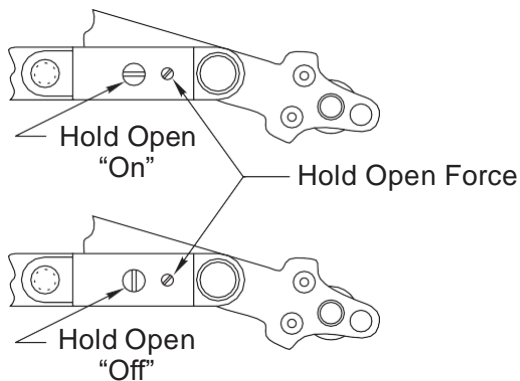
Using 1/8" hex wrench provided, close (turn clockwise) CLOSING SPEED VALVE (see page 4 for location on closer). **DO NOT OVER TIGHTEN.**

- Open door to approximately 60°
- Using wrench on underside of spindle, rotate spindle approximately 135° toward hinge edge of door.
- Install arm on spindle at an approximate 90° angle to door.
- Reopen CLOSING SPEED VALVE.
- Install and tighten 5/16 Hex Head Arm Washer and Screw assembly.

ALL ANGLES SHOWN ARE APPROXIMATE



HOLD OPEN ADJUSTMENTS - A12 ARMS ONLY



Rotate



To Decrease
Hold Open
Force

To Increase
Hold Open
Force



ASSA ABLOY

80-9380-8003-152 Rev. 07/09

ASSA ABLOY: the global leader in door opening solutions

DC8210 x A11 or A12 Parallel Arm Installation Instructions

F

Adjust Closer

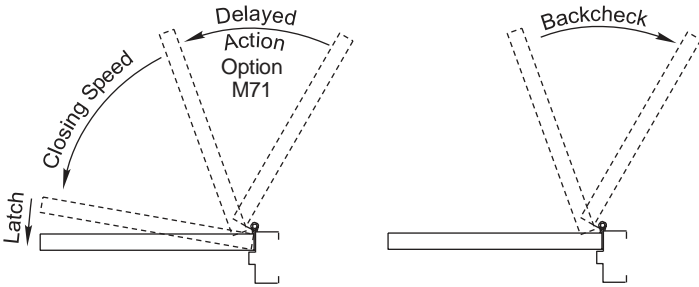
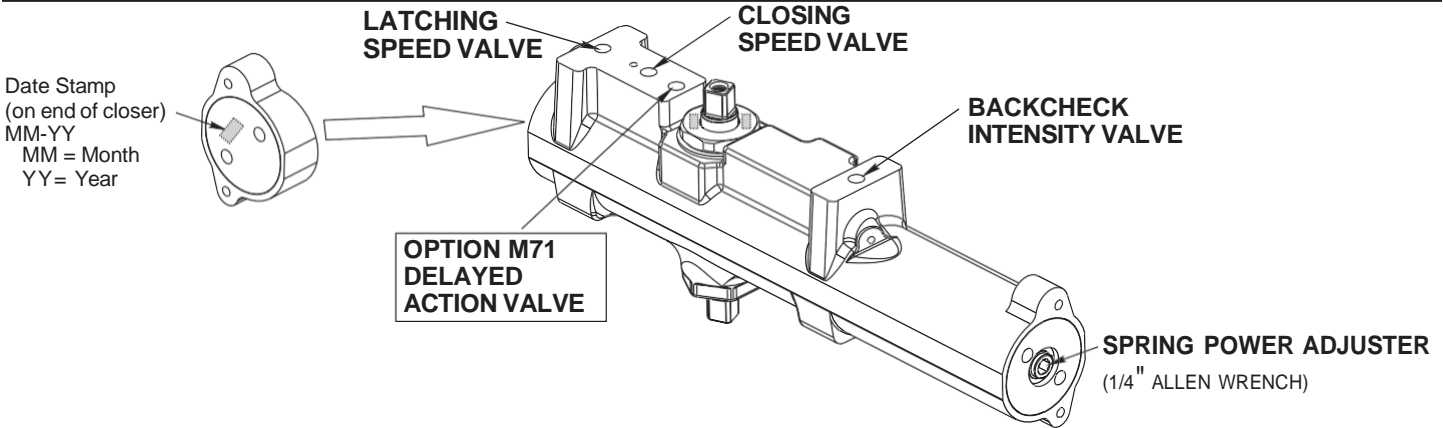
Spring Power Adjustment

Locate spring power adjuster from Illustration below
DC8200 Size 1 thru 6 Adjustment See Chart

DC8200 SPRING POWER ADJUSTMENT CHART

- All DC8200 closers are factory set at an approximate **Size 3**.
- Adjust closer as necessary for door size using this chart.
- Readjustment may be required to suit prevailing conditions.

Size of Door			Spring Power Adjustment No. Full Turns Clockwise	Equivalent Closer Size (Approx.)
Interior	Exterior In Swing	Exterior Out Swing		
2' 4" (712)	2' 6" (764)	—	2-7	3
2' 6" (764)	3' 0" (915)	—	7-11	4
3' 0" (915)	3' 6" (1067)	2' 6" (764)	11-15	5
3' 6" (1067)	4' 0" (1219)	3' 0" (915)	15-17	6



door closing cycle from fully open down to 70°, where the closing speed valve then begins its control.

Backcheck Intensity Valve

Turn valve COUNTER-CLOCKWISE to reduce backcheck or CLOCKWISE to increase backcheck. (Backcheck should be set to give a soft cushioning action, not a sudden stop.)

Closing Speed Valve (1/8 Allen Wrench Provided)

To adjust speed of door closing from fully open to a position 2" to 5" from closed, turn Closing Speed Valve CLOCKWISE to SLOW closing, COUNTER-CLOCKWISE to SPEED closing.

Latching Speed Valve (1/8 Allen Wrench Provided)

After closing speed has been obtained, turn latching speed valve CLOCKWISE to SLOW latching or COUNTER-CLOCKWISE to SPEED latching for last 2" to 5" of door travel.

NOTE: Set combination of CLOSING and LATCHING speeds to between 3 and 7 seconds. Use of door by handicapped, elderly or small children may require even greater closing time.

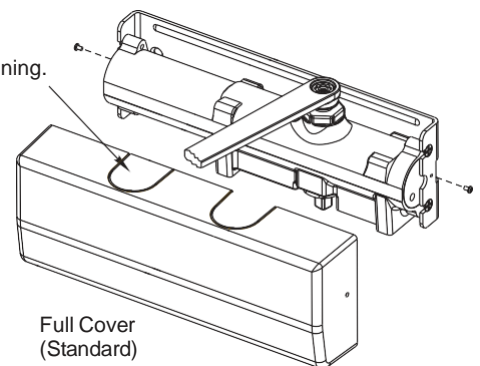
Delayed Action Valve (1/8 Allen Wrench Provided)

Turn valve CLOCKWISE to SLOW closing, COUNTER-CLOCKWISE to SPEED closing. Delayed action may be adjusted from 20 seconds to 90 seconds, depending on degree of door swing. Delay occurs at the beginning of the

Installing Cover

- Slip cover over closer.
- Hold tightly against QUIK-INSTALL® Bracket surface.
- Secure on each side with 6-32 x 1/4" PBHMS screws.

Insert is removable.
Place in unused opening.



ASSA ABLOY

80-9380-8003-152 Rev. 07/09

Copyright © 2007, 2009, Corbin Russwin, Inc., an ASSA ABLOY Group company. All rights reserved. Reproduction in whole or in part without the express written permission of Corbin Russwin, Inc. is prohibited.

ASSA ABLOY is the global leader in door opening solutions, dedicated to satisfying end-user needs for security, safety and convenience.