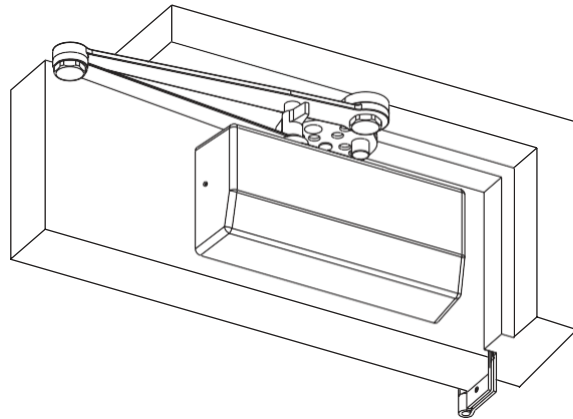


Installation Instructions

As Easy As **A**—**B**—**C** → **G**



DC8210 Series Multi-Sized 1 thru 6

**Universal Door Closers
with Heavy Duty Parallel Arms:**
A2 - H.O. without Backstop
A4 - N.H.O. with Backstop
A5 - H.O. with Backstop

A2 Arm

*This application requires an auxiliary door stop "by others"
 Hold Open Only
(No Stop Feature)

A4 Arm

Non-Hold Open with Backstop

A5 Arm

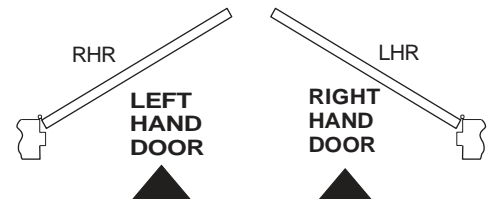
Hold Open with Backstop

IMPORTANT:

- An improperly installed or incorrectly adjusted door closer may cause **property damage** or **personal injury**; and will void product warranty.
- To avoid personal injury, **DO NOT DISASSEMBLE THIS DOOR CLOSER BODY.**
- Door closers must be securely fastened to a properly reinforced door and frame with fasteners provided.
- Door closers with HOLD OPEN ARM are not permitted to be installed in fire door assemblies.
- Door and frame must be specifically templated for 85°, 90°, 100° or 110° door swing.
- Doors should be hung on ball bearing or anti-friction hinges/pivots.
- Door closer must not be installed on the exterior of a door in an exterior wall of a building.

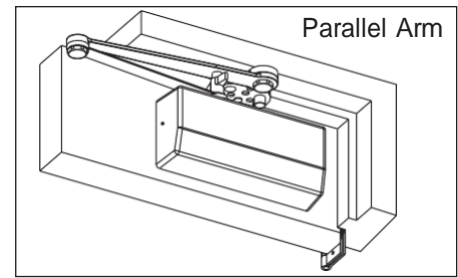
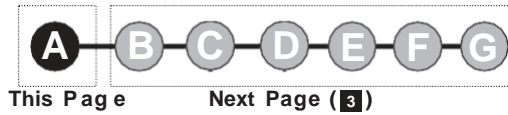
Size of Door & Door Closer					
Type of Installation	Interior	Exterior In-swinging	Exterior Out-swinging	Recommended Closer Size	**Max. Opening Force lbs/f
Parallel Arm	2'4"	_____	_____	1	8
	2'6"	_____	_____	2	14
	3'0"	_____	2'6"	3	16
	3'6"	_____	3'0"	4	22
	4'0"	_____	3'6"	5	24
	4'6"	_____	4'0"	6	26

TO DETERMINE HAND OF YOUR DOOR:



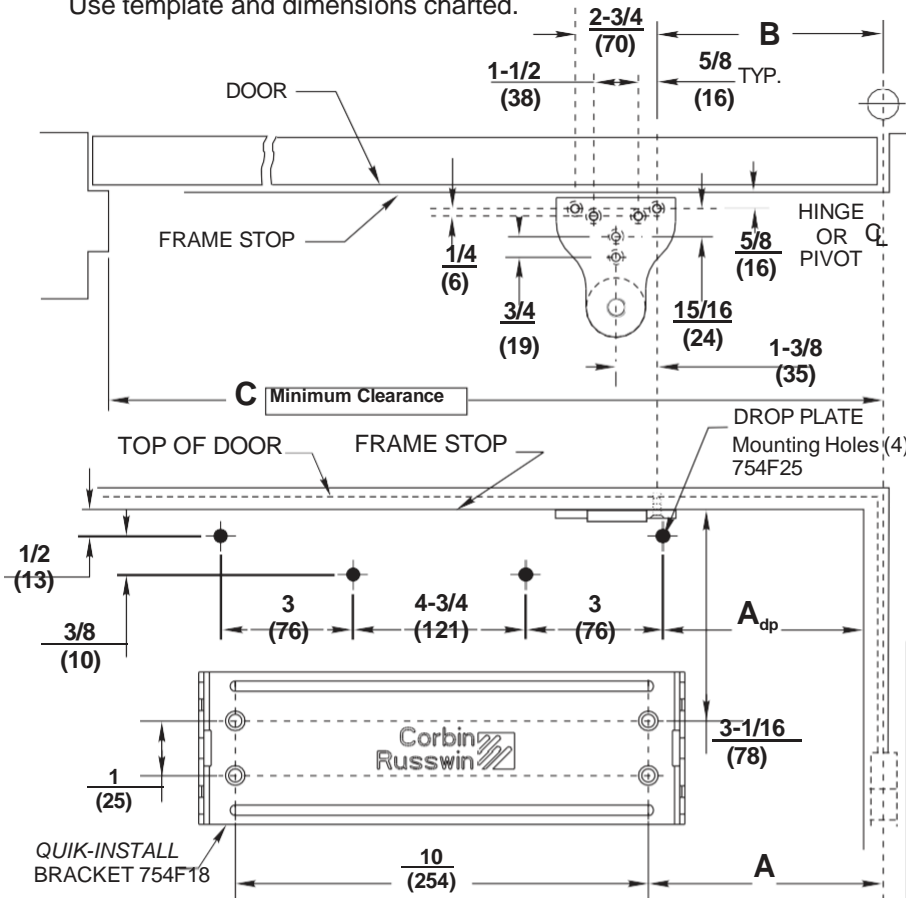
**NOTE: These forces are for standard templating with bearing type hinges and do not account for pressure differentials and draft.

DC8210xA2, A4, or A5 HD Parallel Arm Installation Instructions



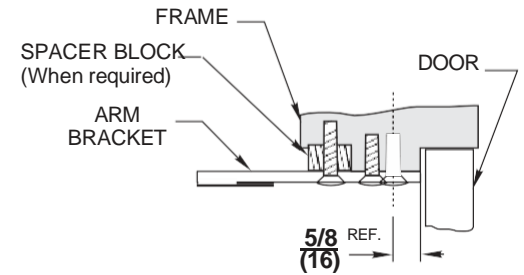
A Template

Mark Door and Jamb (for QUIK-INSTALL[®] bracket and arm bracket)
Use template and dimensions charted.

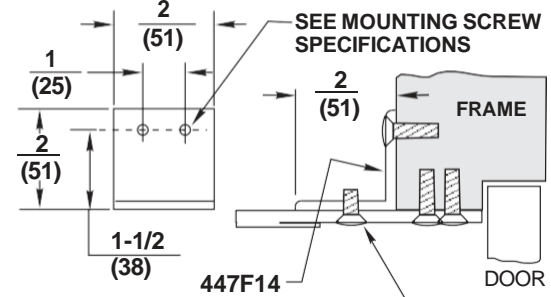


NOTES:

- Check hand of door, see page **1**.
- Right Hand Application Shown Left Hand Opposite
- Dimensions given in inches (mm). Do Not Scale Drawing.
- Closer must be installed in a true horizontal plane to ensure proper closer performance.



M85 OPTION 447F14 ANGLE SUPPORT BRACKET



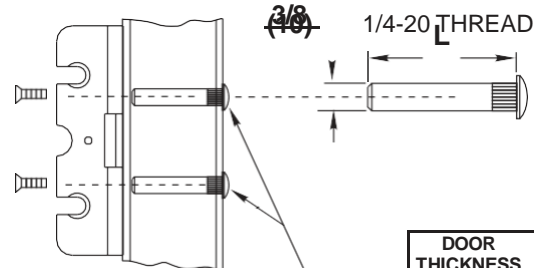
NOTE: ANGLE SUPPORT MUST BE DRILLED AND TAPPED IN THE FIELD

OPENING MAXIMUM	A Quick Install Bracket	A _{dp} Drop Plate	B Soffit Bracket	C MINIMUM Clearance
85°	8-3/4 (222)	8-3/8 (213)	12-7/16(316)	28-7/8 (733)
90°	7-3/4 (197)	7-3/8 (187)	11-1/2 (292)	28 (711)
100°	6-1/4 (159)	5-7/8 (149)	10 (254)	26-3/8 (670)
110°	4-7/8 (124)	4-1/2 (114)	8-5/8 (219)	25-1/8 (638)

MOUNTING SCREW SPECIFICATIONS

#12-14 self-drilling screw.
1/8 (3) diameter pilot hole
required for Wood
Applications.

or Sex nuts, furnished
when ordered



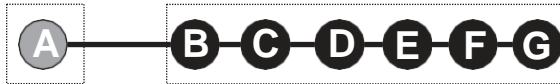
Drill thru 9/32 (7) Enlarge to 3/8 (10) Dia. This Side Only (4 Places)

DOOR THICKNESS	SEX NUT LENGTH "L"
1-3/8 (35)	1-9/32 (33)
1-3/4 (44) & OVER	1-21/32 (42)



ASSA ABLOY

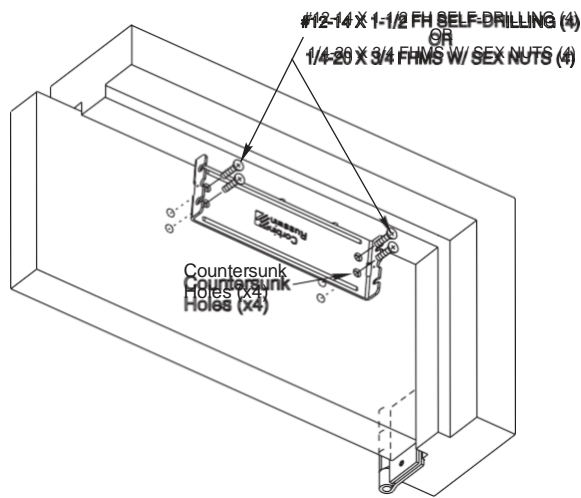
DC8210xA2, A4, or A5 HD Parallel Arm Installation Instructions



Previous Page (2)

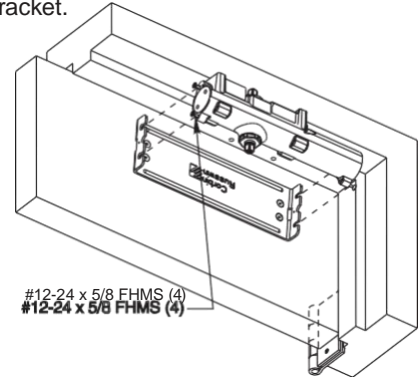
This Page

B Mount QUIK-INSTALL® Bracket



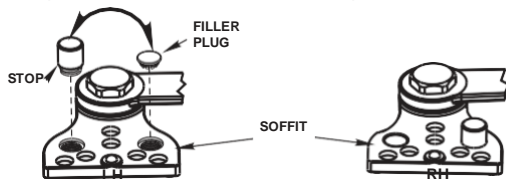
C Mount Closer Body to QUIK-INSTALL Bracket

- Start the four mounting screws into the four closer mounting holes.
- Place the closer onto the QUIK-INSTALL bracket with the four mounting screws inserted into the four QUIK-INSTALL bracket slots.
- Tighten the four mounting screws to fasten the closer body to the QUIK-INSTALL bracket.

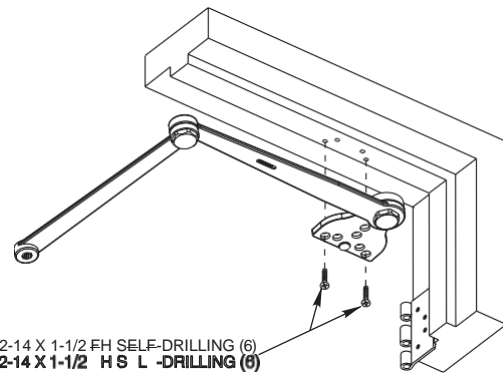


D A4 & A5 Backstop Arms Only Arms shipped for Left Hand Door. To change handing:

Remove Stop from Soffit with 5/32 Allen Wrench. Remove Filler Plug. Switch Stop and Filler Plug to opposite sides. Insert Stop and tighten. Push Filler Plug into hole.



E Mount Arm to Door Frame

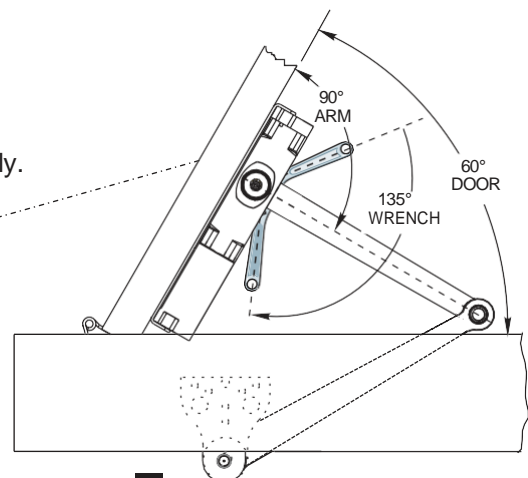
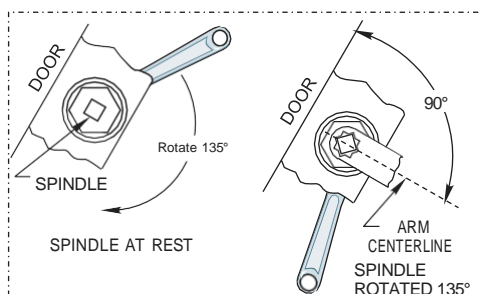


F Connect Arm To Closer

Using 1/8 hex wrench provided, close (turn clockwise) CLOSING SPEED VALVE (see page 4 for location on closer). **DO NOT OVER TIGHTEN.**

ALL ANGLES SHOWN ARE APPROXIMATE

- Open door to approximately 60°
- Using wrench on underside of spindle, rotate spindle approximately 135° toward hinge edge of door.
- Install arm on spindle at an approximate 90° angle to door.
- Reopen CLOSING SPEED VALVE.
- Install and tighten 5/16 Hex Head Arm Washer and Screw Assembly.



ASSA ABLOY

G ADJUST CLOSER: See Page 4

DC8210xA2, A4, or A5 HD Parallel Arm Installation Instructions

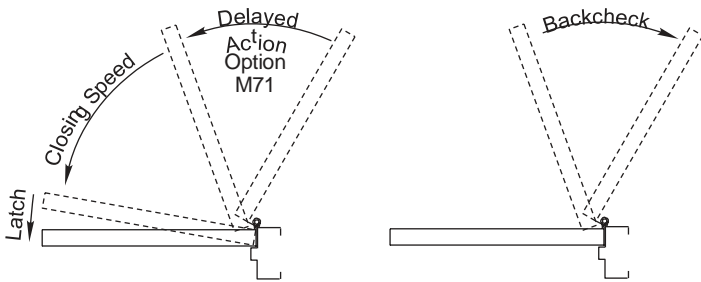
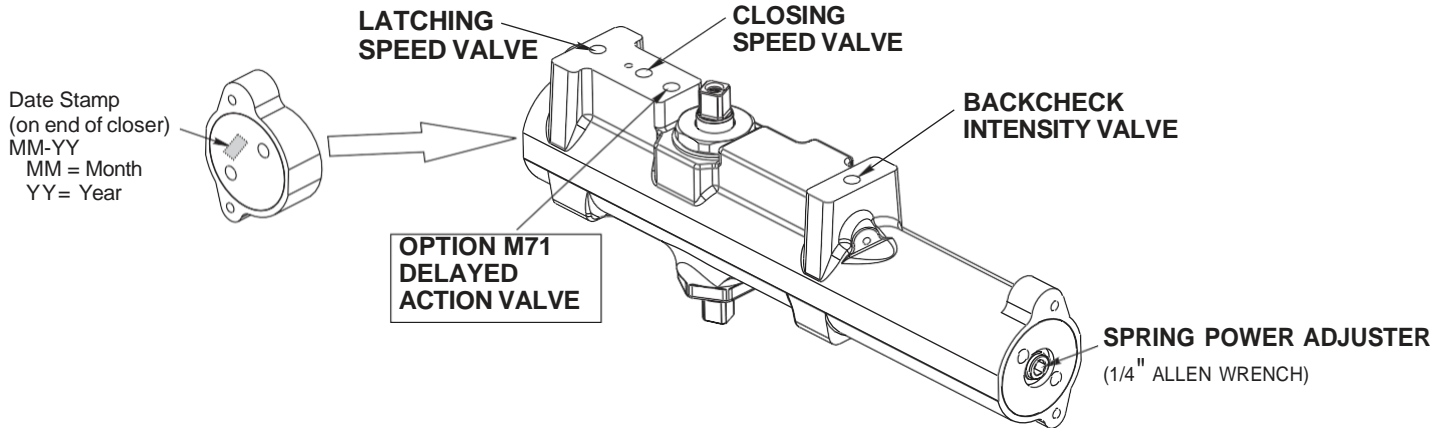
Spring Power Adjustment

Locate spring power adjuster from Illustration below
DC8200 Size 1 thru 6 Adjustment See Chart

Size of Door			Spring Power Adjustment No. Full Turns Clockwise	Equivalent Closer Size (Approx.)
Interior	Exterior In Swing	Exterior Out Swing		
2' 4" (712)	2' 6" (764)	—	2-7	3
2' 6" (764)	3' 0" (915)	—	7-11	4
3' 0" (915)	3' 6" (1067)	2' 6" (764)	11-15	5
3' 6" (1067)	4' 0" (1219)	3' 0" (915)	15-17	6

DC8200 SPRING POWER ADJUSTMENT CHART

- All DC8200 closers are factory set at an approximate **Size 3**.
- Adjust closer as necessary for door size using this chart.
- Readjustment may be required to suit prevailing conditions.



Closing Speed Valve (1/8 Allen Wrench Provided)

To adjust speed of door closing from fully open to a position 2" to 5" from closed, turn Closing Speed Valve **CLOCKWISE** to **SLOW** closing, **COUNTER-CLOCKWISE** to **SPEED** closing.

Latching Speed Valve (1/8 Allen Wrench Provided)

After closing speed has been obtained, turn latching speed valve **CLOCKWISE** to **SLOW** latching or **COUNTER-CLOCKWISE** to **SPEED** latching for last 2" to 5" of door travel.

NOTE: Set combination of **CLOSING** and **LATCHING** speeds to between 3 and 7 seconds. Use of door by handicapped, elderly or small children may require even greater closing time.

Delayed Action Valve (1/8 Allen Wrench Provided)

Turn valve **CLOCKWISE** to **SLOW** closing, **COUNTER-CLOCKWISE** to **SPEED** closing. Delayed action may be adjusted from 20 seconds to 90 seconds, depending on degree of door swing. Delay occurs at the beginning of the door closing cycle from fully open down to 70°, where the closing speed valve then begins its control.

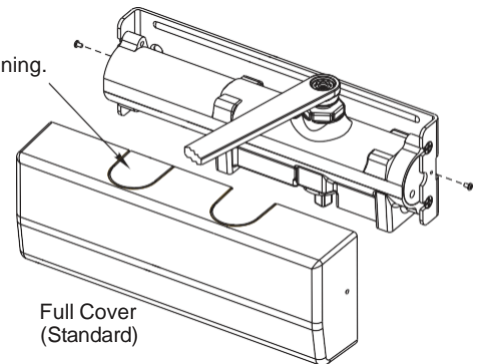
Backcheck Intensity Valve

Turn valve **COUNTER-CLOCKWISE** to reduce backcheck or **CLOCKWISE** to increase backcheck. (Backcheck should be set to give a soft cushioning action, not a sudden stop.)

Installing Cover

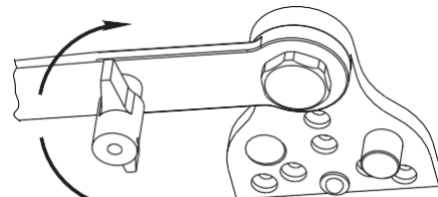
- Slip cover over closer.
- Hold tightly against **QUIK-INSTALL®** Bracket surface.
- Secure on each side with 6-32 x 1/4" PBHMS screws.

Insert is removable.
Place in unused opening.



Hold Open Operation (A2 and A5 Arms only)

A quarter turn of the tee handle in either direction engages or disengages the hold open feature.



ASSA ABLOY

80-9380-8001-152 Rev. 07/09

Copyright © 2006, 2009, Corbin Russwin, Inc., an ASSA ABLOY Group company. All rights reserved. Reproduction in whole or in part without the express written permission of Corbin Russwin, Inc. is prohibited.

ASSA ABLOY is the global leader in door opening solutions, dedicated to satisfying end-user needs for security, safety and convenience.