



Installation Instructions

Overhead Concealed Security Door Closers

ASSA ABLOY

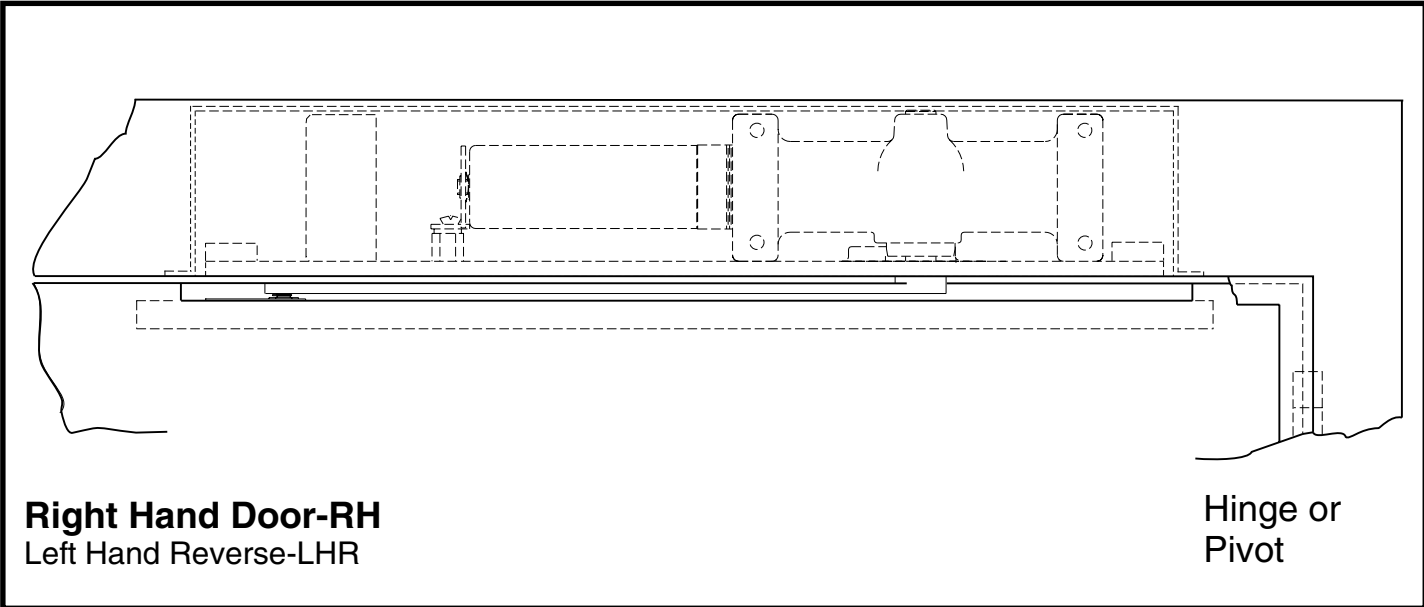
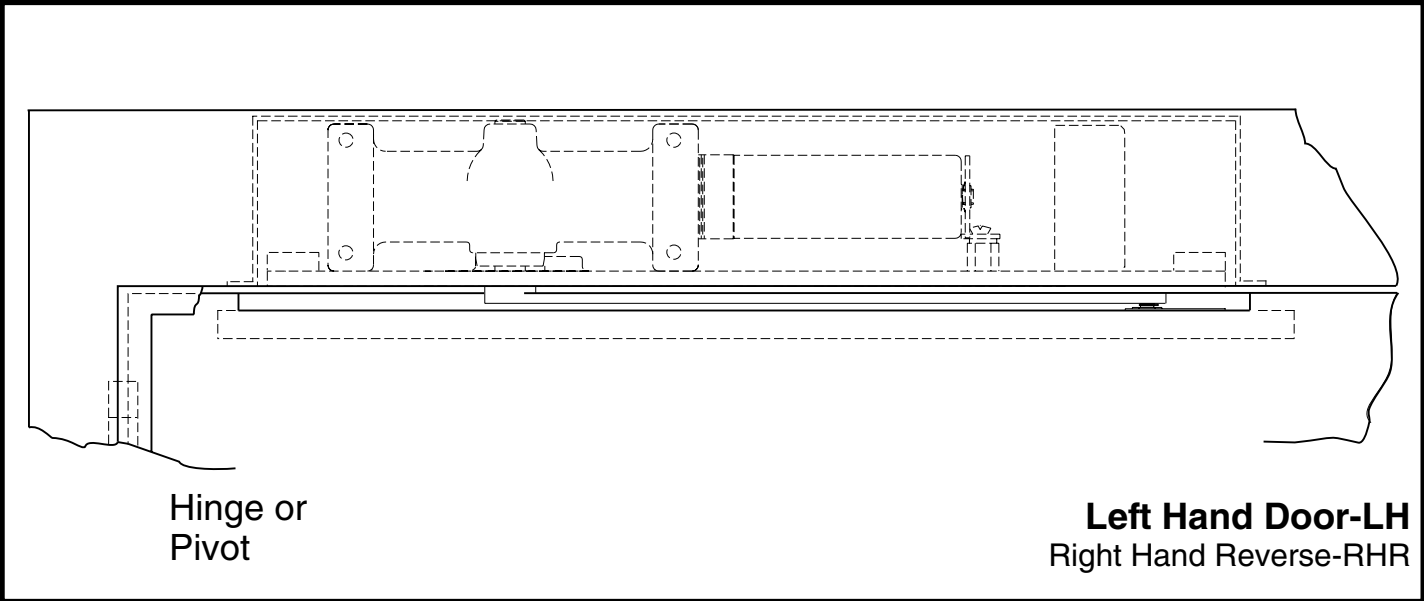
Series 7970-B, & 7970-OP Non-Hold-Open Models

*For wood or metal doors 1- 3/4" to 2 - 1/4" (45-57mm) thick
hung in a hollow metal frame
standard butt hinges or offset pivots*

Typical Installation

- One track & closer position for all door opening angles
- Easy arm attachment
- Removable Frame Stop Required*-Not Shown

CAUTION
An incorrectly installed or improperly adjusted door closer can cause property damage or personal injury. These instructions should be followed to avoid the possibility of misapplication or misadjustment.



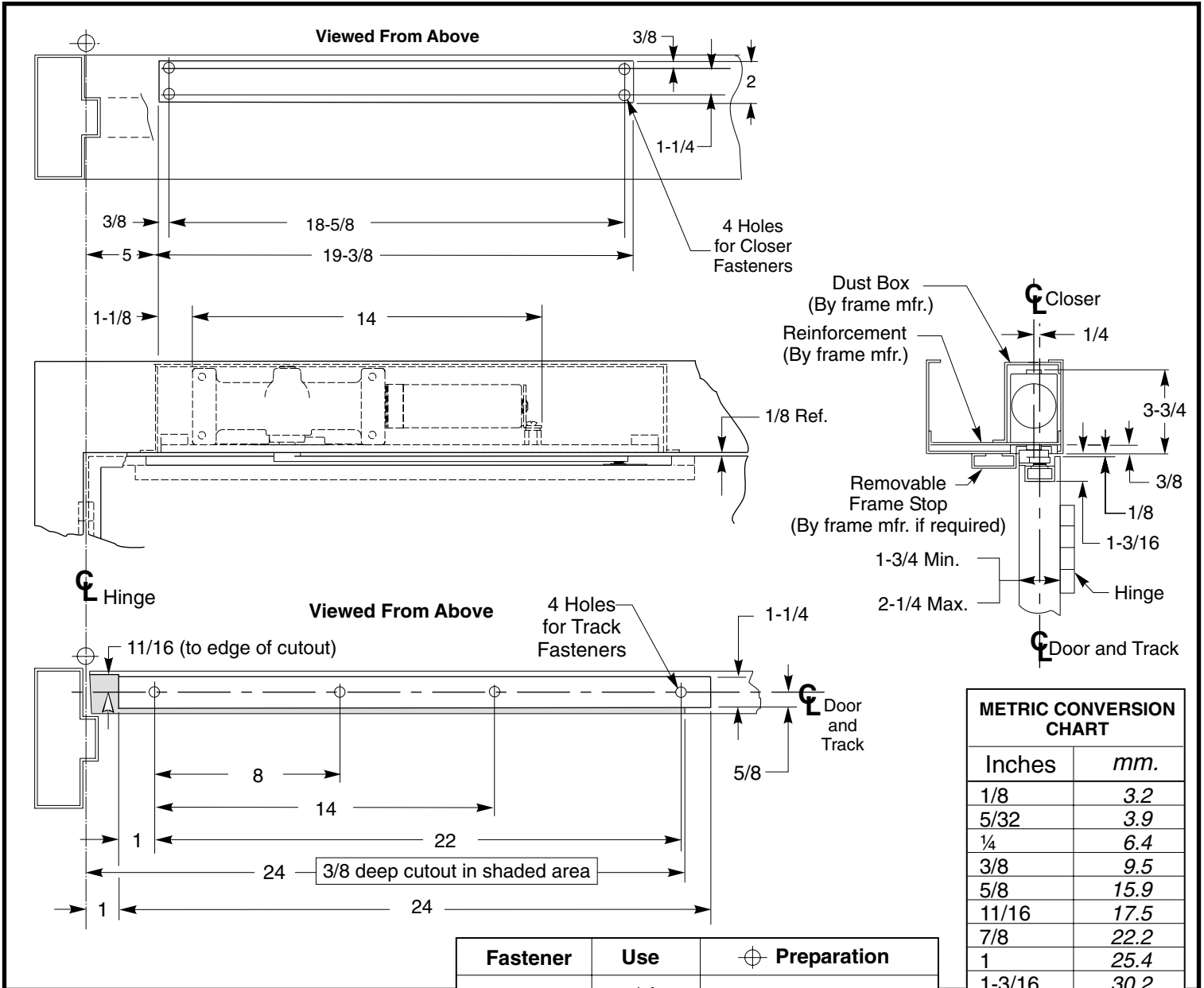
*Not required when frame rabbet exceeds 2-3/16"

Series 7970-B
 Non-Hold Open
 Overhead Concealed
 Security Door Closers

Template-Standard Butt Hinges



ASSA ABLOY



METRIC CONVERSION CHART

Inches	mm.
1/8	3.2
5/32	3.9
1/4	6.4
3/8	9.5
5/8	15.9
11/16	17.5
7/8	22.2
1	25.4
1-3/16	30.2
1-1/4	31.8
1-3/4	44.5
2	50.8
2-1/4	57.2
2-1/2	63.5
3-3/4	95.3
5	127.0
8	203.2
14	355.6
16-15/16	430.2
17	431.8
18-5/8	473.0
19-3/8	492.1
22	558.8
24	609.6
27	685.8

Fastener	Use	Preparation
1/4-20 machine screw	metal frame and metal door	#7 (.201" dia.) or 5.10mm. drill 1/4-20 tap
#14 wood screw	wood door	7/32" or 5.5mm. drill

Track Installation	Door Angle		Auxiliary Door Stop Required
	110°	180°	
Non-Hold Open	With Cushion and stop block	Without Cushion and stop block	Opening greater than 110°

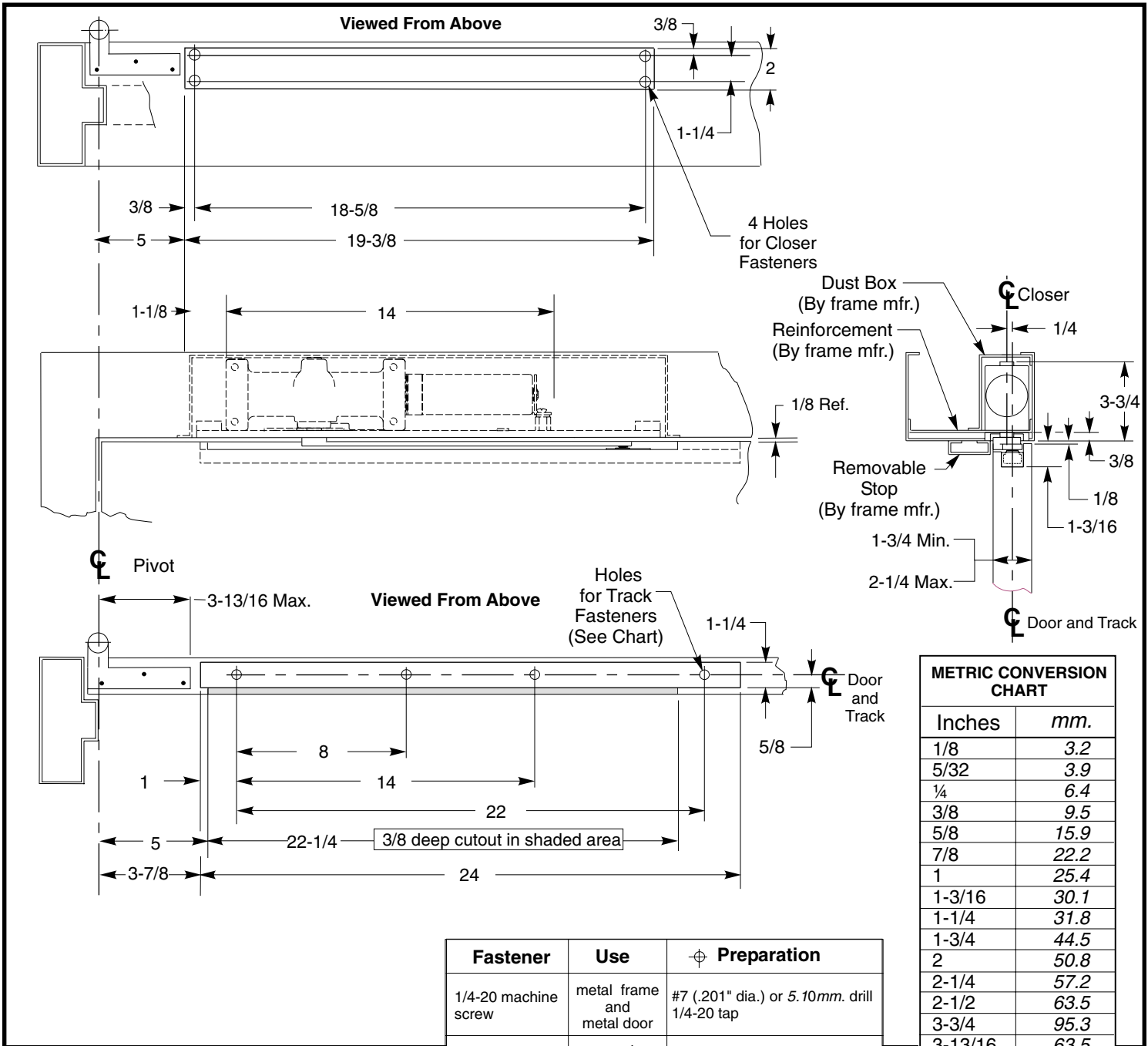
See installation sequence on page 5.

NOTES:

- Do not scale drawing.
- Left hand door shown.
- Hardware dimensions shown (not cutouts).
- Dimensions are in inches (see chart for metric conversion).
- Minimum door width 27 inches.
- Track 24 inches long.
- Maximum width hinge is 5 inches.

Series 7970-OP
 Non-Hold Open
 Overhead Concealed
 Security Door Closers

Template-Offset Pivots



METRIC CONVERSION CHART

Inches	mm.
1/8	3.2
5/32	3.9
1/4	6.4
3/8	9.5
5/8	15.9
7/8	22.2
1	25.4
1-3/16	30.1
1-1/4	31.8
1-3/4	44.5
2	50.8
2-1/4	57.2
2-1/2	63.5
3-3/4	95.3
3-13/16	63.5
3-7/8	96.8
5	127.0
8	203.2
14	355.6
16-15/16	430.2
17	431.8
18-5/8	473.0
19-3/8	492.1
22	558.8
22-1/4	565.1
24	609.6
29	736.6

Fastener	Use	⊕ Preparation
1/4-20 machine screw	metal frame and metal door	#7 (.201" dia.) or 5.10mm. drill 1/4-20 tap
#14 wood screw	wood door	7/32" or 5.5 mm. drill

NOTES:

- Do not scale drawing.
- Left hand door shown.
- Hardware dimensions shown (not cutouts).
- Dimensions are in inches (see chart for metric conversion).
- Maximum door swing is 95 degrees. Auxiliary door stop(not supplied) is required for this application.
- Standard track is 24" long.
- For doors less than 29" wide, contact factory for modification requirements.

See installation sequence on page 5.

Installation Sequence

- Determine hand of door from illustration on page 1. Closers are handed. Hand of closer must match hand of door.
- Using template dimensions on page 2, or 3, locate & prepare holes and cutout in frame and door.

Door:

Prepare door for track. Prepare (4) holes for 1/4-20 machine screws.

Frame:

Prepare the frame for mounting closer. Drill and tap (4) holes for 1/4-20 machine screws.

Note: Generally on new construction hardware cutouts are made by suppliers at their shop.

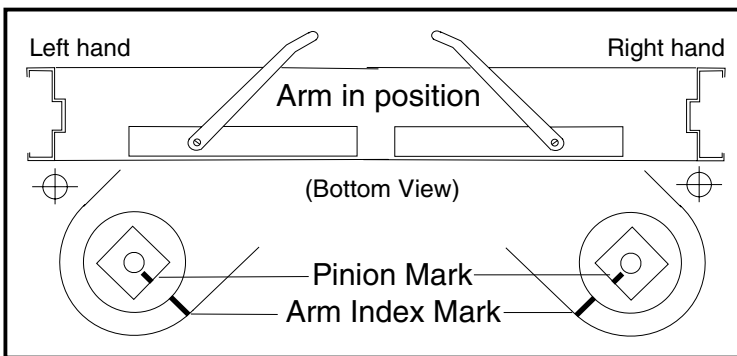
- **Mount closer to frame.**

Position spring tube away from hinge or pivot and mounting plate flush with frame rabbet. Secure with mounting screws.

- **Install arm on closer pinion** (see illustration below). Position arm counterbore facing down with index mark aligned with pinion index mark. Install onto pinion. Secure with washer and 1/4-20 x 3/4" long flat head torx drive arm screw with red threadlock.

Position spring tube away from hinge or pivot and mounting plate flush with frame rabbet. Secure with mounting screws.

Secure track with (4) 1/4-20 machine screws.



- **Install track in door.**

Place the assembled track into door cutout with open side up, cushion and stop block toward the hinge or pivot. Move slider to the opposite end of track (see illustration). Secure track with (4) 1/4-20 machine screws.

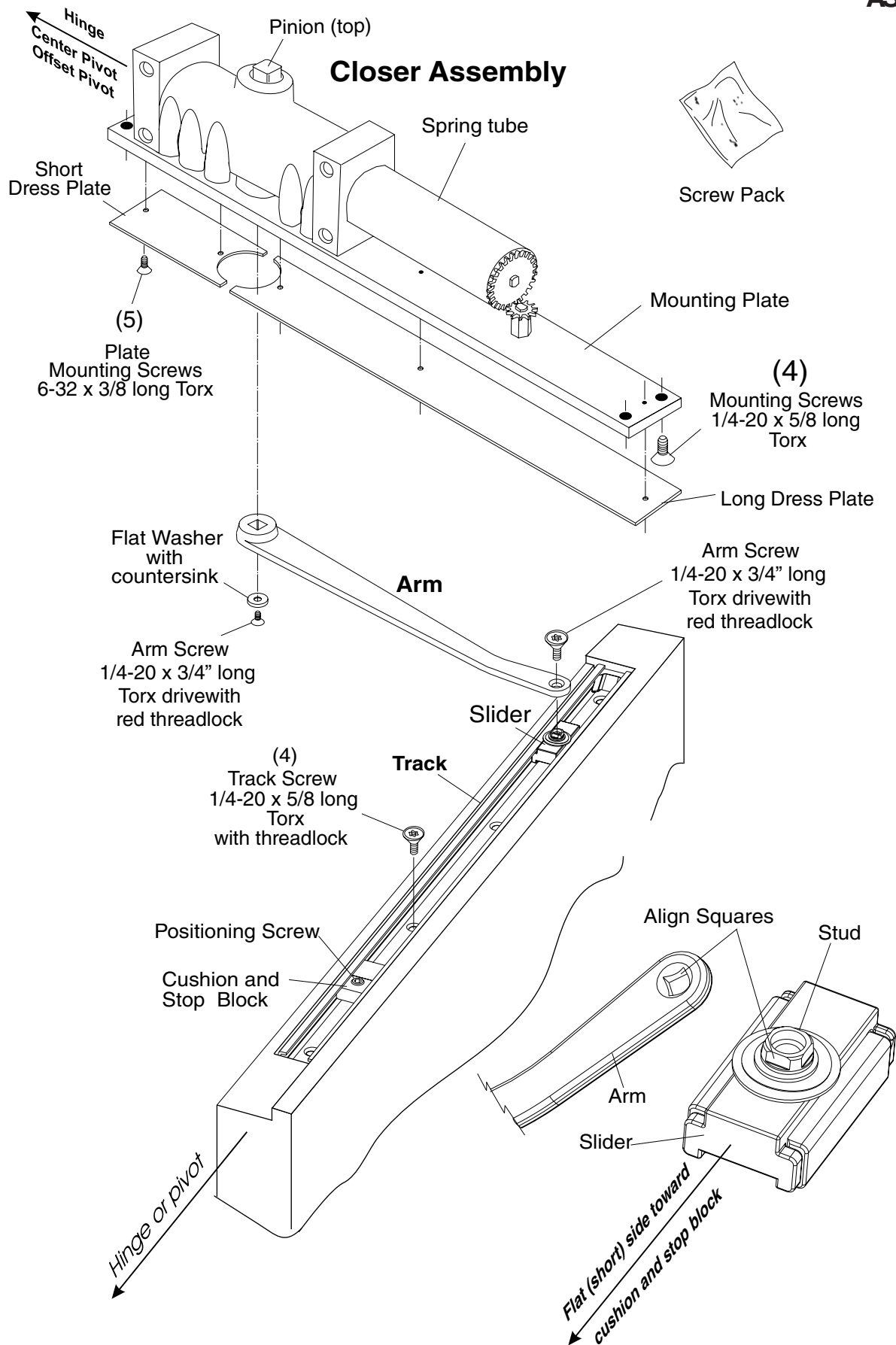
- **Connect arm to track.** Open door to approximately 5: (127mm), rotate arm to slider and place end on stud. Use a screw driver to align the square on slider's stud with the arm square (see illustration to right). Push down on arm to seat stud and to prevent stud from rotating. Secure with arm screw, 1/4-20 x 3/4" long flat head torx drive with red threadlock.

- **Determine door opening angle.**

See pages 2, 3 & 4.

- **Set door opening angle.** Open door to the angle you want the door to stop. With the door held at that location, slide cushion and stop block against slider. Tighten the stop position screw (large set screw) with 3/16" hex wrench (from screw pack) until secure. Release door.

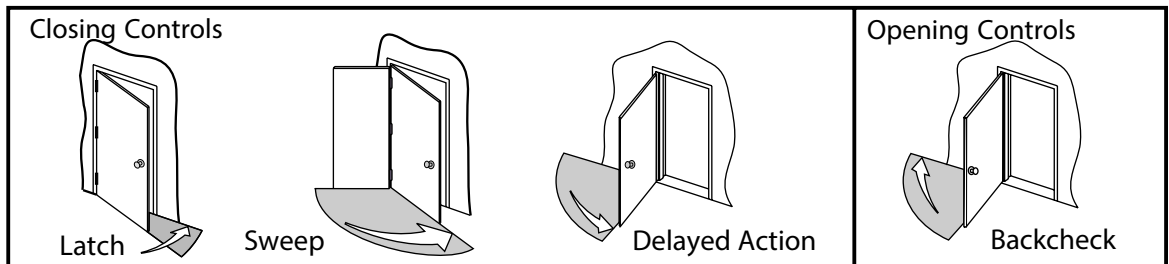
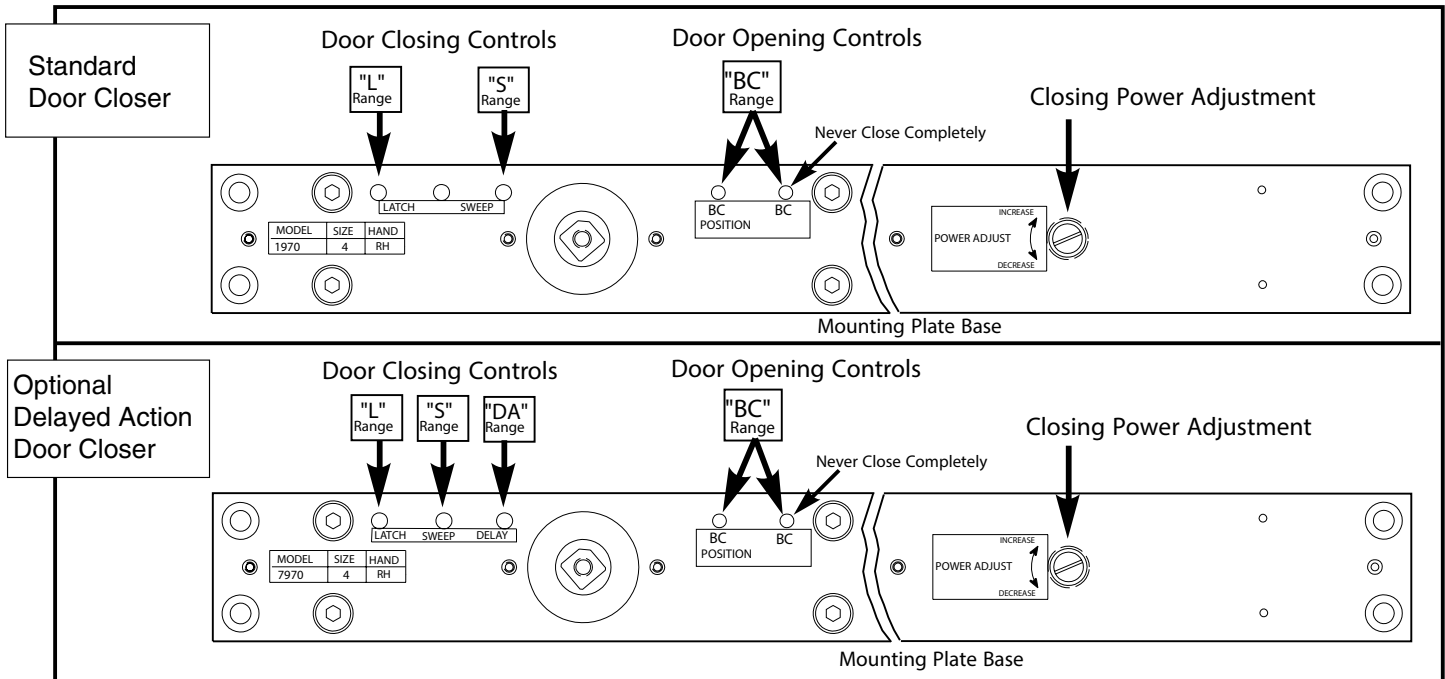
- **Adjust closer.** See page 6....Install dress plate.



Closer Adjustment

Series 7970-B & 7970-OP
 Non-Hold Open
 Overhead Concealed
 Security Door Closers

CAUTION:
 Do not back valves out of
 closer or a leak will result.



- **Closer Controls** accessible through mounting plate for closer adjustment:
 Use 1/8" (3mm.) hex-key for valve adjustments.
 Use standard screwdriver for power adjustment.
- **Power Adjustment** permits increasing door closing force.
 Controlled by slotted screw marked "P.A."
- **Closing Speed** controlled by valves marked "SWEEP" and "LATCH"
 Attention: Adjust closing speed time to between 4 to 7 seconds from 90°. Use of the door by handicapped, elderly, or small children may require greater closing time.
- **Delayed Action** option permits door to creep from fully open to about 70°. Creeping time controlled by valve marked "DELAY".
- **Backcheck** cushions or slows the opening of a door that is forced to travel faster than conditions require.
 Backcheck controlled by valves marked "BC POSITION" (open for backcheck start at a greater door opening angle) and "BC" (for adjusting backcheck intensity). Never close "BC" valve completely.
- **Optional Enhanced Backcheck** provides adjustable backcheck intensity beginning at approximately 15° of the door opening cycle. Backcheck positioning valve is omitted when this feature is provided.
- **Install Dress Plates** (see page 5).

Norton

ASSA ABLOY

3000 Highway 74 East • Monroe, NC 28112
 Tel: (877)-974-2255 • Fax: (800)-338-0965
 www.nortondoorcontrols.com