



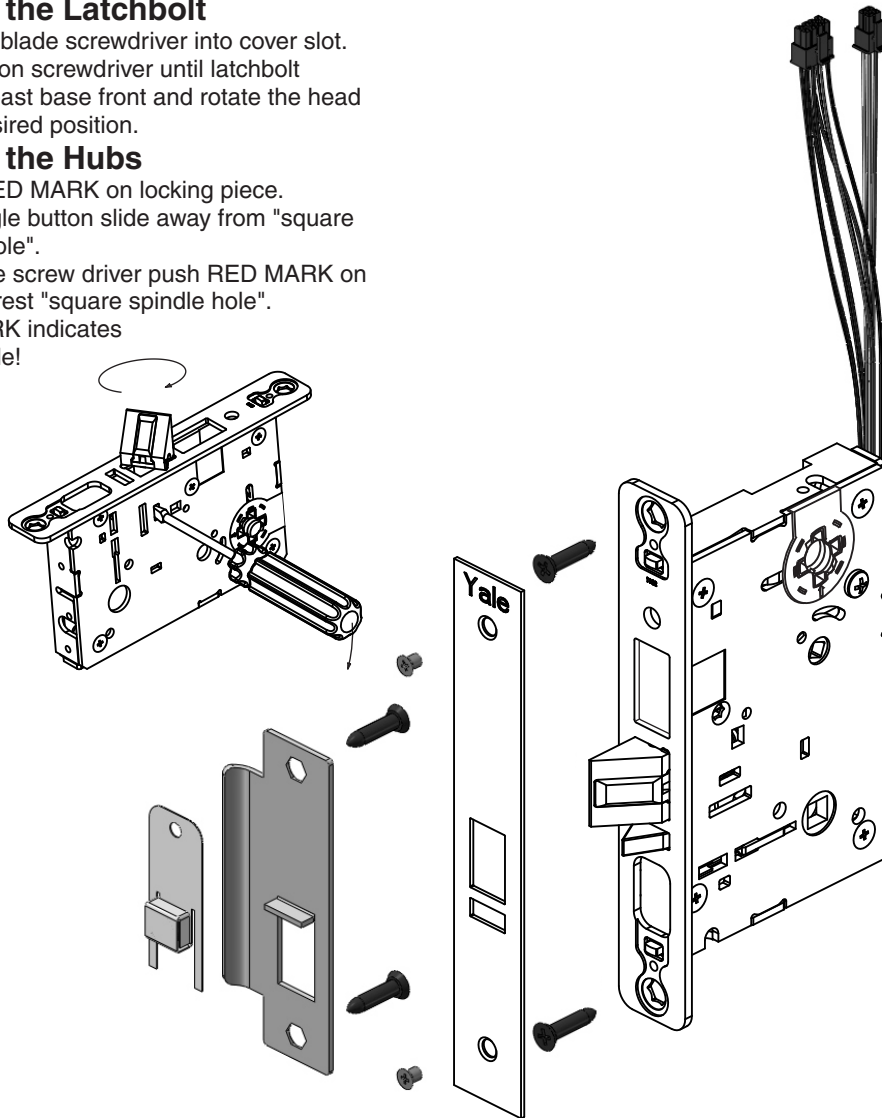
8800-ITS Mortise Lockset Wiring Diagram and Installation Instructions

Handing the Latchbolt

1. Insert flat blade screwdriver into cover slot.
2. Pull back on screwdriver until latchbolt extends past base front and rotate the head to the desired position.

Handing the Hubs

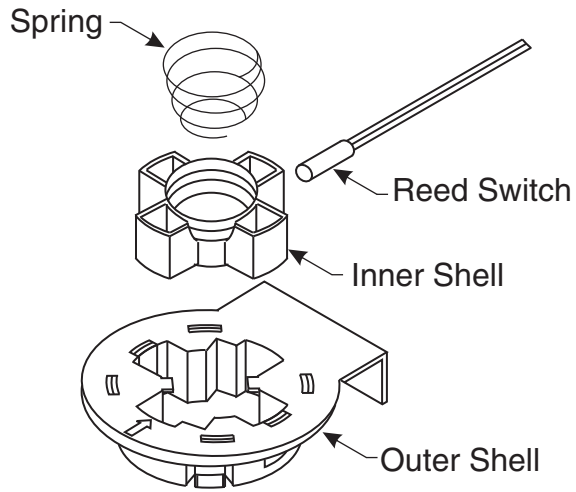
1. Locate RED MARK on locking piece.
2. Push toggle button slide away from "square spindle hole".
3. With blade screw driver push RED MARK on slide nearest "square spindle hole".
4. RED MARK indicates locked side!



Attention Installer

If installation instructions are not followed this may result in damage to the lock and void the factory warranty. Removing cover screws voids lock body warranty. Any retrofit or other field modification to a fire rated opening can potentially impact the fire rating of the opening, and Yale Locks & Hardware makes no representations or warranties concerning what such impact may be in any specific situation. When retrofitting any portion of an existing fire rated opening, or specifying and installing a new fire-rated opening, please consult with a code specialist or local code official (Authority Having Jurisdiction) to ensure compliance with all applicable codes and ratings.





Step 1. Remove Cylinder Monitor Assembly from Lockbody by gently pushing up through the opposite side of cylinder hole.



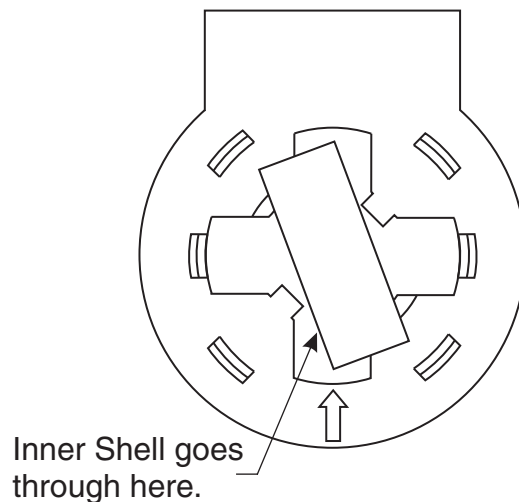
Step 2. Remove spring from assembly. Use caution not to stretch or otherwise deform the spring.

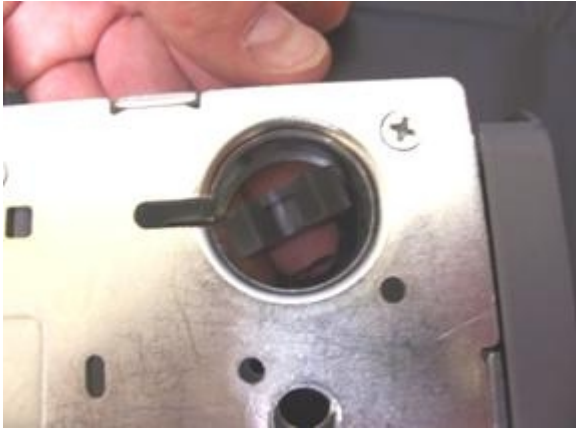


Step 3. Remove Inner Shell from Outer Shell by gently pressing the Inner Shell upwards from the bottom. Use caution not to damage sensor wires.

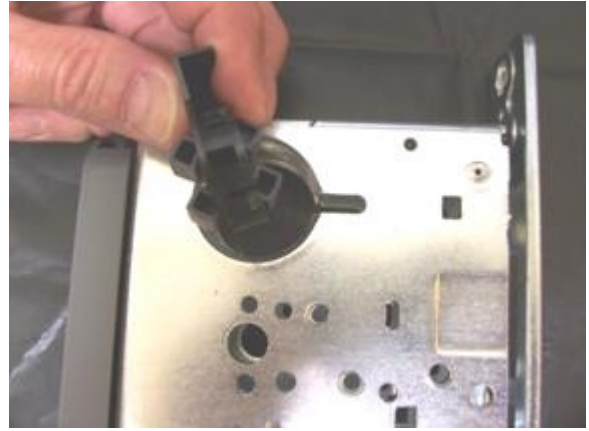


Step 4. Turn Inner Shell on side. Align the inner shell with the diagonal slot in the Outer Shell. Slide the Inner Shell through the Outer Shell.





Step 5. Feed Inner Shell (with wire and sensor) back through the Cylinder hole in the lockbody to the other side.



Step 6. Turn the Inner Shell on its side and slide it down into the Outer Shell.



Step 7. Assemble Inner Shell into Outer Shell. Guide the sensor wire out the top of the lock.



Step 8. Install spring into assembly. *Use caution not to stretch or otherwise deform the spring.*



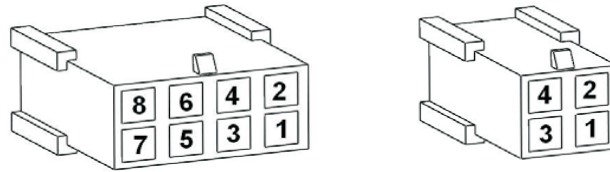
Step 9. Gently press Cylinder Monitoring Assembly into cylinder hole on the new side of the lockbody.

ELECTRIFIED OPTIONS

Molex®	8890 Options	8891-ITS		
8-Pin	Function	Color	Function	Color
1,2	Power	Black/Red	Power	Black/Red
3,4	LPM -----OR----- LBM	Green/Gray Green/Green	LPM	Green/Gray
5,6	DB-In	Yellow/White	CX	Brown/Brown
7,8	DPS* (Less DB)	Blue/Blue	DPS*	Blue/Blue
4-Pin	Function	Color	Function	Color
1,2	Open Loop REX	White/White	Open Loop REX	White/White
3,4	Closed Loop REX	Gray/Gray	Closed Loop REX	Gray/Gray

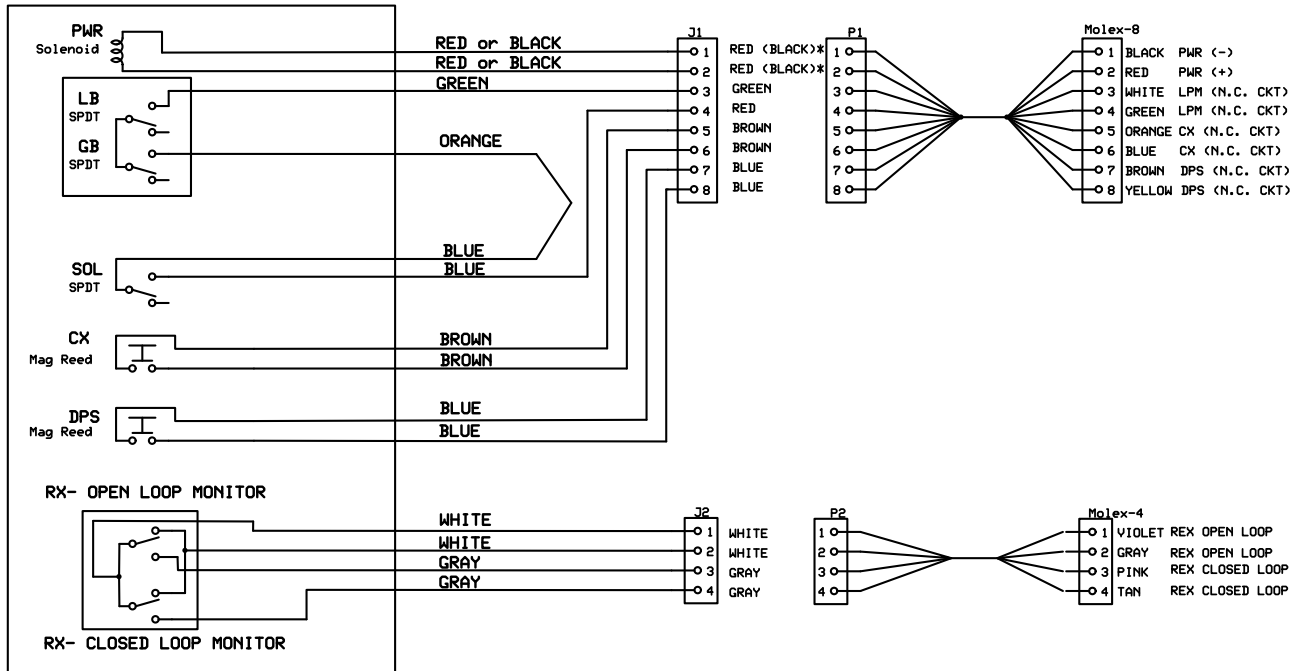
REFERENCES

REX	Request to Exit
LBM	Latch Bolt Monitor
LPM	Latch Performance Monitor
DBM	Deadbolt Motintor
DB	Deadbolt
DB-In	Deadbolt Retracted
DB-Out	Deadbolt Extended
DPS	Door Position Sensor
CX	Cylinder Monitor



* Deadbolt not available with DPS function.

Yale Mortise 8890 / 8891
* 12 VDC (RED - RED) / 24 VDC (BLACK - BLACK)



Yale Locks & Hardware

Product Support Tel 800.810.WIRE (9473) • www.yalelocks.com

Yale Locks & Hardware is a division of Yale Security Inc., an ASSA ABLOY Group company.

Yale® is a registered trademark of Yale Security Inc., an ASSA ABLOY Group company. Other products' brand names may be trademarks or registered trademarks of their respective owners and are mentioned for reference purposes only. These materials are protected under U.S. copyright laws. All contents current at time of publication. Yale Security Inc. reserves the right to change availability of any item in this catalog, its design, construction, and/or its materials.

Copyright © 2011, 2014, Yale Security Inc., an ASSA ABLOY Group company.

All rights reserved. Reproduction in whole or in part without the express written permission of Yale Security Inc. is prohibited.