

# 80 SERIES PARTS LIST

816 KIT

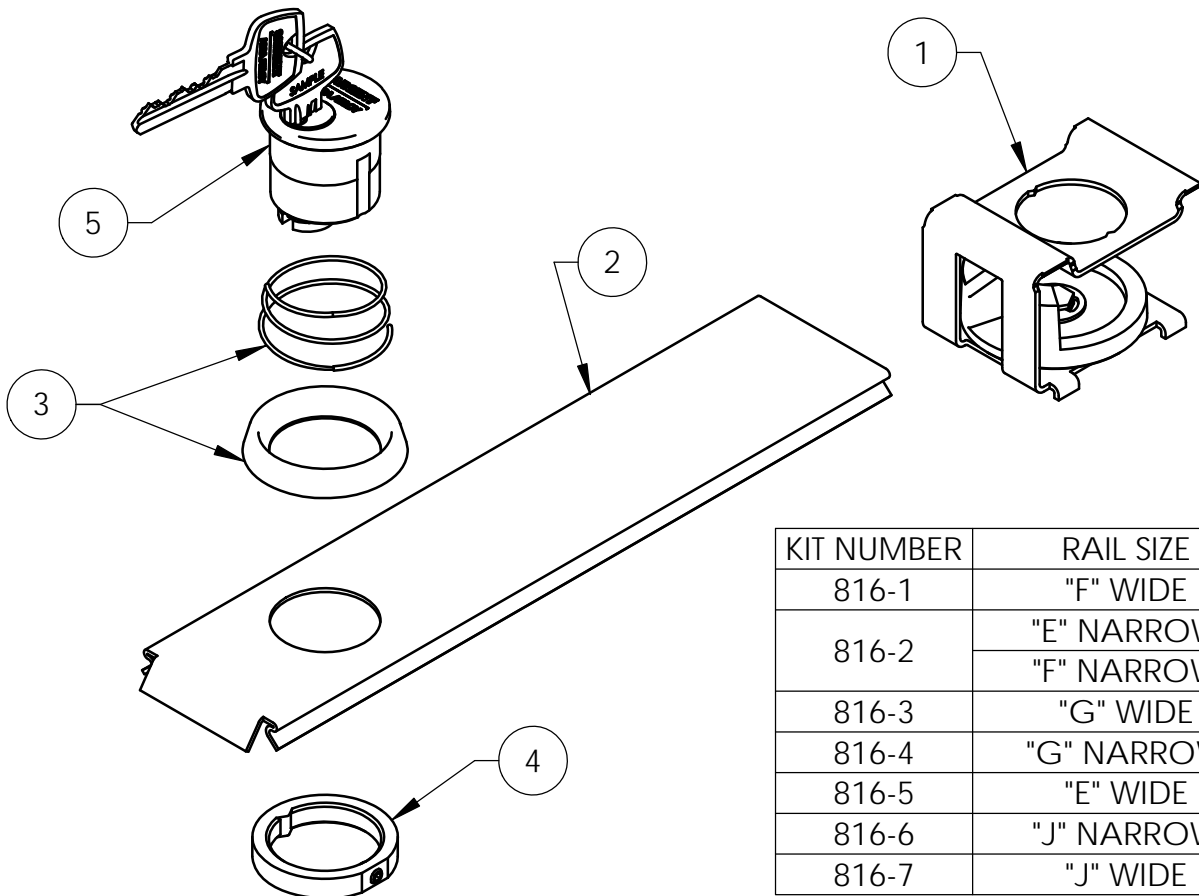
## PARTS LIST

PAGE No. 80.9  
REV. D

ITEM NO.	QTY	PART NUMBER	DESCRIPTION	REMARKS
1	1	97-3230	16- CYLINDER DOGGING ASSEMBLY	
2	1	68-0767	"F" WIDE RAIL INSERT	SEE NOTE 2
		68-0768	E WIDE RAIL INSERT	
		68-0769	"G" WIDE RAIL INSERT	
		68-0770	"G" NARROW, "J" WIDE RAIL INSERT	
		68-1376	"E" & "F" NARROW RAIL INSERT	
		68-1465	"J" NARROW RAIL INSERT	
3	1	13-2131	CYLINDER RING ASSEMBLY	SEE NOTE 2
4	1	68-6040	RETAINING COLLAR ASSEMBLY	
5	1	13-2872	CYLINDER & KEY ASSEMBLY	
6	1	01-0288	SOCKET SCREW KEY (WRENCH)	NOT SHOWN

### NOTES:

- FOR CYLINDER, SPECIFY "MORTISE" CYLINDER, FINISH AND KEYING REQUIREMENTS.
- SPECIFY FINISH FOR INSERT AND COLLAR.



KIT NUMBER	RAIL SIZE
816-1	"F" WIDE
816-2	"E" NARROW
	"F" NARROW
816-3	"G" WIDE
816-4	"G" NARROW
816-5	"E" WIDE
816-6	"J" NARROW
816-7	"J" WIDE