



T Series

Tubular Deadbolts

by BEST

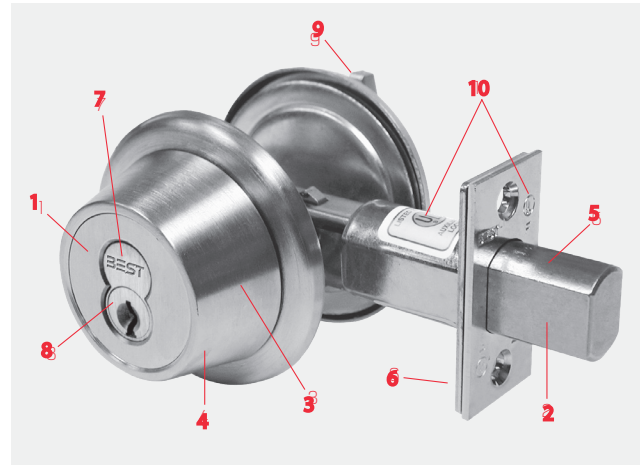


BEST: Setting the Standard for Security

Deadbolt Features



1. No exposed mounting screws standard on 8T2/8T3 double cylinder M function only (available as an option on 8T2/8T3 K, L, and S function)
2. Full 1" stainless steel throw deadbolt
3. Free-turning, wrench-resistant, tapered cylinder ring
4. 8T2/8T3-solid extruded brass or bronze cylinder 7T2/7T3-solid cast zinc with brass or bronze shell
5. Stainless steel for strength and corrosion resistance
6. Simple installation; self-aligning and reversible strike
7. May be keyed into existing BEST® masterkeyed system
8. The original interchangeable core permits instant, economical rekeying
9. ADA turn lever
10. Deadbolt UL listed for use as auxiliary lock type on 3 hr. fire doors (GWXT). These locks also carry the C-UL mark which is officially accepted in all of Canada, indicating compliance with appropriate Canadian standards and codes.



Products protected by one or more of the following patents: 4,301,667 D290,085 4,843,852 5,590,555 5,794,472 Other Patents Pending

Specifications

Backset – 7T2/8T2: 2 3/8", 7T3/8T3: 2 3/4"

Cylinders – 8T2/8T3: ANSI A156.36-2010 Auxiliary Locks, Grade 1 Operational, BHMA, Strength and Security with drill-resistant core (ICD/ICDP/ICDB/ICDF/ICDM/ICDX)
7T2/7T3: ANSI A156.36-2010 Auxiliary Locks, Grade 2 Operational, BHMA, Strength and Security with drill-resistant core (ICD/ICDP/ICDB/ICDF/ICDM/ICDX)

Deadbolt – 7T2/7T3: 1" throw, 5/8" x 7/8" bolt. Brass nickel plated, with concealed hardened steel free-turning pin. Housing fits 1" bore. 8T2/8T3: 1" throw, 5/8" x 7/8" solid stainless steel bolt. Housing fits 1" bore.

Door thickness – Fits 1 3/4" doors (standard), 7T2/7T3: fits doors - from 1 3/8" to 2 1/8", 8T2/8T3: fits doors - from 1 3/8" to 3". Specify if other than 1 3/4"

Faceplate – Brass or bronze base material. 7T2/8T2: 1" x 2 1/4", 7T3/8T3: 1 1/8" x 2 1/4"

Finishes –

- | | | |
|----------|-----------------------|-----------------------------|
| 7T2/7T3: | • 612 – satin bronze | • 626 – satin chromium |
| 8T2/8T3: | • 605 – bright brass | • 613 – dark oxidized satin |
| | • 606 – satin brass | • 625 – bright chromium |
| | • 611 – bright bronze | • 626 – satin chromium |
| | • 612 – satin bronze | |

Strikes – 8TSTK: Rectangular 1 1/8" x 2 3/4" (ANSI A156.36-2010)
8TS1: Curved lip 1 1/4" x 4 7/8" (ANSI A156.36-2010)
8TS4: Curved lip 1 1/8" x 2 3/4" (ANSI A156.36-2010)
8TS5: High security rectangular 1 1/4" x 4 7/8" (ANSI A156.36-2010)

Trim – Wrought brass or bronze cylinder rose or turn lever rose, 2 3/4" dia. to cover 2 1/8" bore. Machined brass or bronze cylinder ring.

Strikes

8TSTK Standard Strike

Dimensions: 1 1/8" x 2 3/4"
(Supplied with box and screws)

To order: (with unit) STK
To order: (without unit) 8TSTK and finish



8TS1 Strike

Dimensions: 1 1/4" x 4 7/8" (ANSI 115.1)
(Supplied with box and screws)

To order: (with unit) S1
To order: (without unit) 8TS1 and finish



8TS4 Strike

Dimensions: 1 1/8" x 2 3/4" with curved lip
(Supplied with box and screws)

To order: (with unit) S4
To order: (without unit) 8TS4 and finish



8TS5 High Security Strike

Dimensions: 1 1/4" x 4 7/8"
(Supplied with box and long screws)

To order: (with unit) S5
To order: (without unit) 8TS5 and 630 finish ONLY

