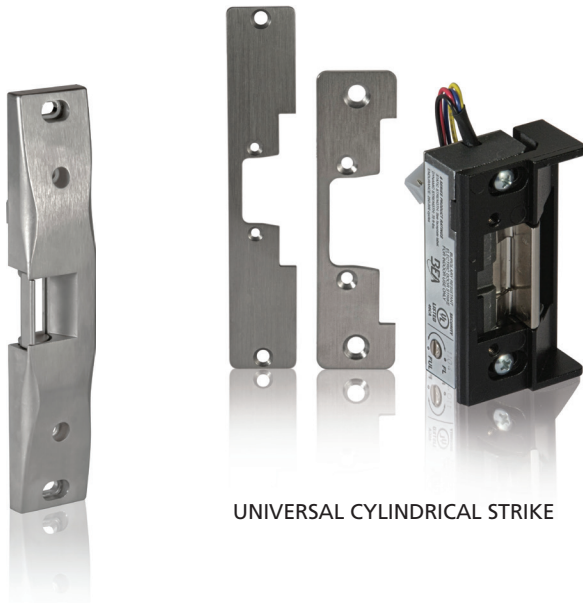


ELECTRIC STRIKES

RIM EXIT & UNIVERSAL CYLINDRICAL STRIKES FOR ACCESS CONTROL

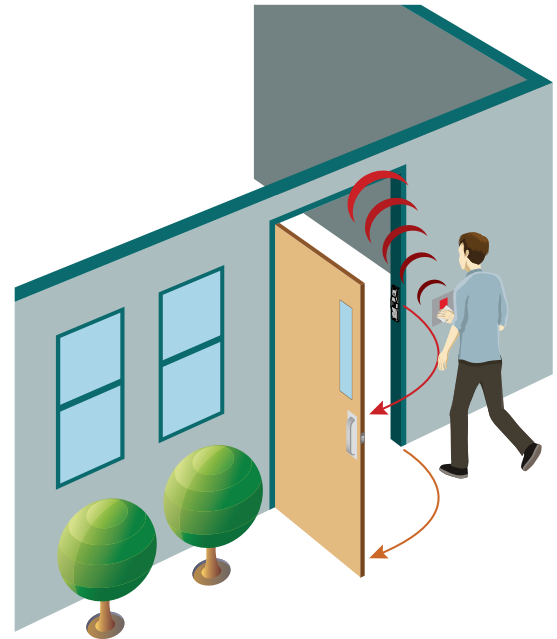


PRIMARY APPLICATIONS



UNIVERSAL CYLINDRICAL STRIKE

RIM EXIT STRIKE



DESCRIPTION

BEA's Electric Strike portfolio includes Rim Exit and Universal Cylindrical strikes for access control applications.

The Rim Exit strike is designed specifically for rim exit devices. This strike is completely surface mounted, which eliminates the need to cut into the door frame. The Rim Exit strike has a three-hour fire rating and has been independently tested for over four million cycles of operation.

The Universal Cylindrical strike provides controlled access and security for egress and ingress applications where code compliance and safety are paramount. This strike has been independently tested for over one million cycles of operation.

FEATURES & BENEFITS

- UL / ULC listed for up to 1500 lbs of static strength
- Conventional keeper design promotes even-load distribution in the event of a forced entry
- Reinforced housing reduces twisting on imperfect frames
- Brushed stainless steel (US32D) provides a complementary finish to existing door hardware

RELATED REQUEST TO EXIT PRODUCTS



R2E-100



FLY KIT



BR3 LOGIC MODULE



ACTUATORS



MAGLOCKS



POWER SUPPLIES

TECHNICAL SPECIFICATIONS

10STRIKERE

Mode	Fail Safe		
Voltage	12 V AC/DC	24 V AC/DC	11 VAC/16VDC
Duty	Intermittent, Continuous	Intermittent, Continuous	Intermittent, Intermittent
Sound	Buzz, Silent	Buzz, Silent	Buzz, Buzz
Amps †	0.30, 0.50	0.64, 0.24	0.28, 0.50
Ohms ‡	22, 22	22, 89	22, 22

10STRIKECU

Mode	Fail Safe, Fail Secure		
Voltage	12 VDC	24 VDC	12-24 VAC
Duty	Continuous	Continuous	Intermittent
Sound	Silent	Silent	Buzz
Amps †	0.375	0.190	0.280-0.565
Ohms ‡	37	148	37

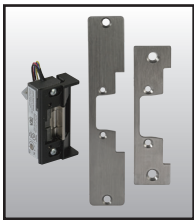
Intermittent Duty – Energized less than 1 minute with duty ratio 1:5

Continuous Duty – Energized 1 minute or more

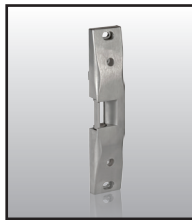
† Amp ratings are based on maximum current draw at +50°F and include initial power-up current

‡ Nominal resistance at +77°F ±7% tolerance

RELATED PRODUCTS



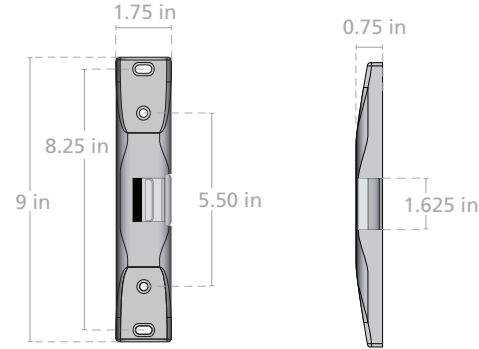
10STRIKERE
RIM EXIT
ELECTRIC STRIKE



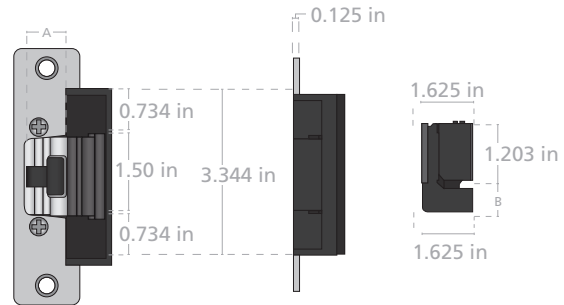
10STRIKECU
UNIVERSAL
CYLINDRICAL
ELECTRIC STRIKE

DIMENSIONAL DRAWINGS

Rim Exit



Universal Cylindrical



A	Default	Min	Max
Inches	13/16"	45/64"	31/32"
Millimeters	20.64 mm	17.86 mm	24.61 mm
B	Default	Min	Max
Inches	21/32"	1/2"	49/64"
Millimeters	16.67 mm	12.7 mm	19.45 mm

