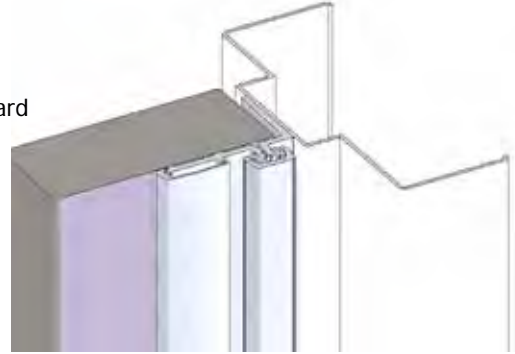


## 780 SERIES HALF SURFACE - 780-155HD - HEAVY DUTY

### SPECIFICATIONS

Material:	Aluminum 6063-T6
Clearance:	5/32" (4 mm) minimum recommended hinge side plus standard lockside clearance
Fasteners:	Dril-Kwik® screws and sex bolts
Length Options:	Standard and custom lengths available
Door Reinforcement:	None required
Frame Reinforcement:	None required to 200 lbs., heavier weight use 16-gauge channel



(Left hand shown)

### FEATURES

- Heavy duty for high frequency doors or heavy, medium frequency doors
- For center hung and double egress conversions
- Security molding

Length		HD Fastener Count		
Inches	Millimeters	# Sex Bolts	# Pan Head	# For Jamb
79	2007	8	17	16
83	2108	8	19	18
85	2159	8	19	18
95	2413	10	19	20
119	3023	12	23	26

