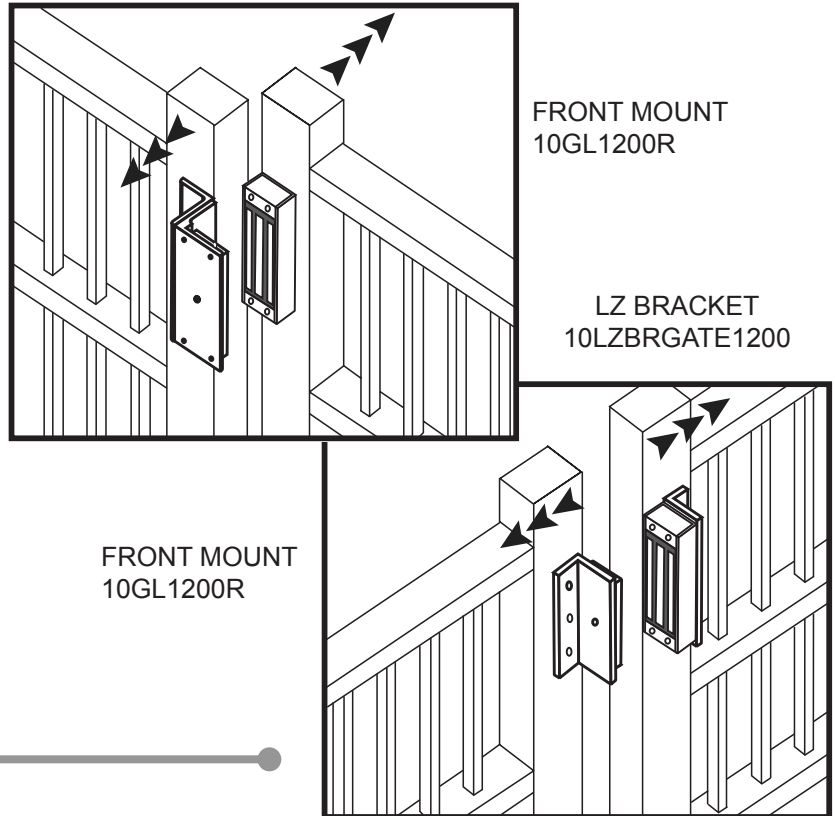


1 Description

BEA's Gate-Lock provides an effective magnetic bond (1200 lbs.) to keep sliding or swing gates locked for your security needs. The attractive, weather resistance stainless steel housing makes this lock suitable for external applications.

2 Specifications

DESCRIPTION	SPECIFICATION
Input Voltage:	12 or 24 VDC
Current:	500 mA @ 12 VDC 250 mA @ 24 VDC
Contact Rating:	0.250 A @ 12 V 0.125 A @ 24 V
Dimensions:	8.750"L X 2.500"H X 1.625"D
Conduit fitting: (10GL1200R only)	3/4 inch NPS conduit fitting 14 Threads per inch
Cerification:	UL/CUL



3 Precautions



- Shut off all power before attempting any wiring procedures.
- Maintain a clean and safe environment when working in public areas.
- Constantly be aware of pedestrian traffic around the door area.
- Always stop pedestrian traffic through the doorway when performing tests that may result in unexpected reactions by the door.
- ESD electrostatic discharge: Circuit boards are vulnerable to damage by electrostatic discharge. Before handling any board ensure you dissipate your body's charge.
- Always check placement of all wiring before powering up to insure that moving door parts will not catch any wires and cause damage to equipment.
- Ensure compliance with all applicable safety standards (i.e. ANSI A156.10) upon completion of installation.
- DO NOT attempt any internal repair of the sensor. All repairs and/or component replacements must be performed by BEA, Inc. Unauthorized disassembly or repair:
 1. May jeopardize personal safety and may expose one to the risk of electrical shock.
 2. May adversely affect the safe and reliable performance of the product will result in a voided product warranty.

4 Pre Installation Check

1. When preparing to wire multiple devices together for a 'system' configuration, it is best to ensure the correct operation of each device independently before starting to help reduce troubleshooting time later in the event of a discrepancy.
2. Prior to installing any equipment, ensure the correct line voltage and stability. When applying equipment on a new installation utilizing new electrical supply circuits, always ensure that correct line voltage exists and is stable. Remember to shut the power back off after this is checked and before performing any wiring to the system.

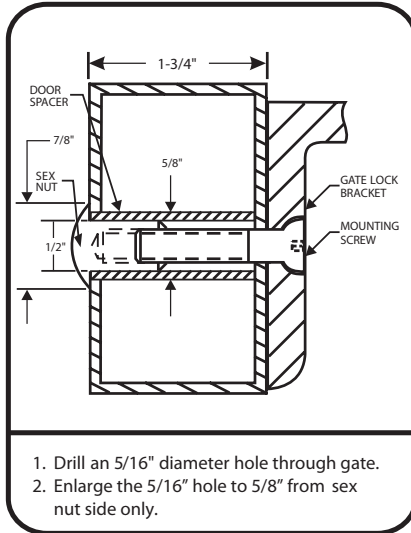
5 Installation

1. Determine the desired location for mounting the Gate-Lock assembly on the gate and/or post.

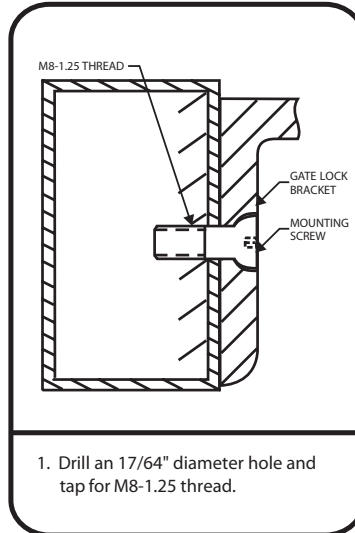
NOTE: Position the maglock end with the conduit fitting (3/4" female) relative to the location of electrical wiring.

5 Installation (Continued)

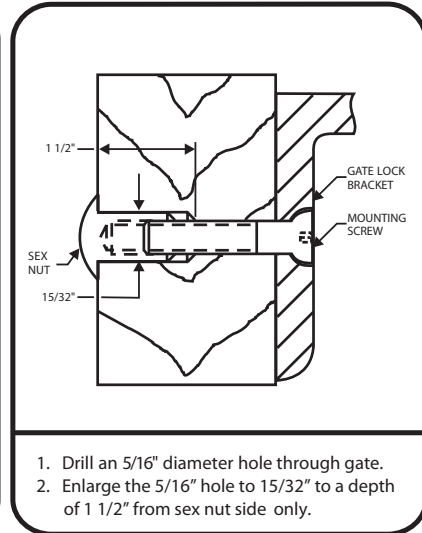
2. Drill the mounting holes for the bracket (armature and/or magnet, depending on configuration) per FIGURE 1.



HOLLOW TUBE
FIGURE 1A



REINFORCED TUBE
FIGURE 1B



SOLID CORE
FIGURE 1C

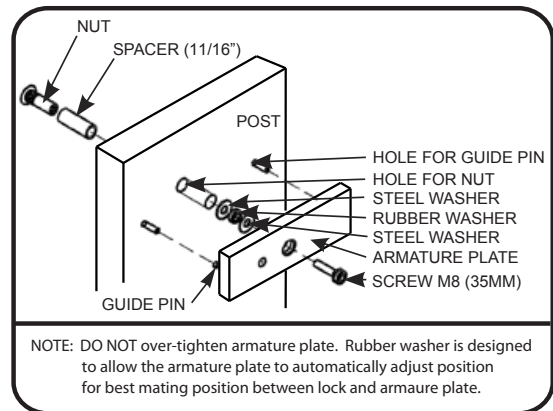
NOTE: If applicable, drill two (2) 1/4" holes, 9/16" deep, 3 1/4" from armature mounting screw hole for anti-spin pin locations. Drive anti-spin pins into armature holes using a rubber mallet.

3. Attach bracket(s) firmly with mounting machine/sheet metal screws. To reduce the effects of excessive vibrations on bracket attachment, apply Loctite/Threadlocker (not included) to screws during installation.

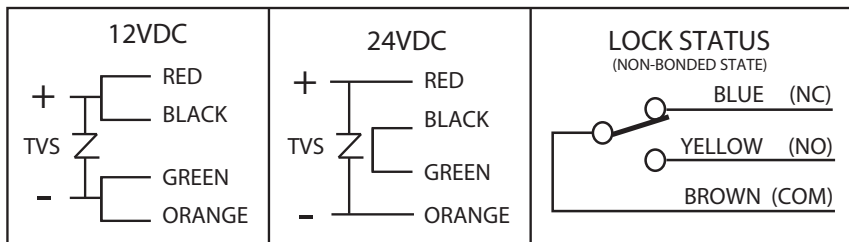
CAUTION: FAILURE TO PROPERLY SECURE THE ARMATURE COULD RESULT IN SERIOUS INJURY OR SECURITY BREACH.

4. With washers and spacers included (See FIGURE 2), firmly tighten armature mounting screws to bracket with hex wrench.
5. Attach magnet assembly to bracket or post with four (4) socket head screws or self tapping screws with anti-tamper plugs.
6. Close the gate and verify magnet face and armature are making full contact over entire surface. Make adjustments as required.

ARMATURE PLATE
ASSEMBLY
FIGURE 2



6 Wiring



NOTE: For 12V source; connect RED/BLACK wires and connect GREEN/ORANGE wires. For 24V source; short BLACK/GREEN wires and connect RED and ORANGE wires.

Lock Status contacts change status when the bonding occurs.

Transient voltage suppressor (TVS) should be placed as directed.

BEA recommends a UL Power Supply.

7 Company Contact



24/7 Tech Support: 1-800-407-4545 | Customer Service: 1-800-523-2462 | General Tech Questions: Tech_Services@beainc.com | Tech Docs: www.beasensors.com