

Electric Strikes

7000 Electric Strike

Works with cylindrical latchbolts up to 5/8" throw and rim exit devices up to a 3/4" throw

Also available in a Complete One Box Solution



The dual, preload solution for cylindrical latchbolts and rim exit devices.

The 7000 Series Electric Strike offers two solutions to address preloaded doors. The in-frame adjustable feature allows the installer to easily adjust the electric strike opening to accommodate the horizontal position of the latchbolt after installation.

The preload release function allows the electric strike to operate smoothly throughout the year under varying loads on the door caused by air conditioning pressure, changes in the weather, warped doors or doors with weather stripping that may often bind standard electric strikes. This unit accommodates cylindrical latchbolts up to 5/8" throw and rim exit latchbolts up to 3/4" throw.

Features

Standard Features

- Stainless steel construction
- Tamper resistant
- Static strength 1,500 lbs (791 and 792 options)
- Dynamic strength 70 ft-lbs (791 and 792 options)
- Static strength 1,000 lbs (783S, 786S, and 789S options)
- Dynamic strength 50 ft-lbs (783S, 786S, and 789S options)
- Endurance 1 million cycles
- Field selectable fail safe/fail secure
- Accommodates preload (up to 15 lbs: fail secure only)
- Horizontal adjustment
- Non-handed
- Internally mounted solenoid
- Strike body depth 1-11/16" [42.9mm]
- Plug-in connector
- Trim enhancer (791 and 792 options)
- Pocket adapter (786S and 789S options)
- SecuriCare five-year, no-fault, no questions asked warranty (Addition of SMART Pac® III extends the warranty to 10 years)

Optional Features

- LBM Latchbolt monitor

Accessories

- 7000-SMB Surface mounting box (783S and 789S options)
- 7000-104 Lip extension trim adapter
- 7000-105 Trim enhancer (goof plate)
- 7000-106 Keeper pocket adapter
- 7000-107 Full keeper shim pack
- 7000-108 1/8" [3.2mm] spacer plate (783S and 789S options, black finish only)
- 7000-110 Replacement strike plate (791 and 792 option)
- 150 Strike latch guard
- HES-CUT-MTK Metal template kit
- 2001M Plug-in bridge rectifier
- 2004M ElectroLynx® adapter
- 2005M3 SMART Pac® III
- 2006M Plug-in buzzer
- 791-XXX, 792-XXX Available in all finishes
- 783S-XXX, 786S-XXX, 789S-XXX Available in 630, 613E



Grade 1

SecuriCare
WarrantyCylindrical
LocksetsRim Exit
DevicesField Selectable
(Fail secure /
Fail safe)Dual Voltage
12/24

Preload

Burglary
Rated

hes

ASSA ABLOY

7000 Electric Strike

Specifications

Certifications

- ANSI/BHMA A156.31, Grade 1 (791 & 792 options)
- ANSI/BHMA A156.31, Grade 2 (783S, 786S & 789S options)
- UL 1034 burglary-resistant listed
- UL 294 listed

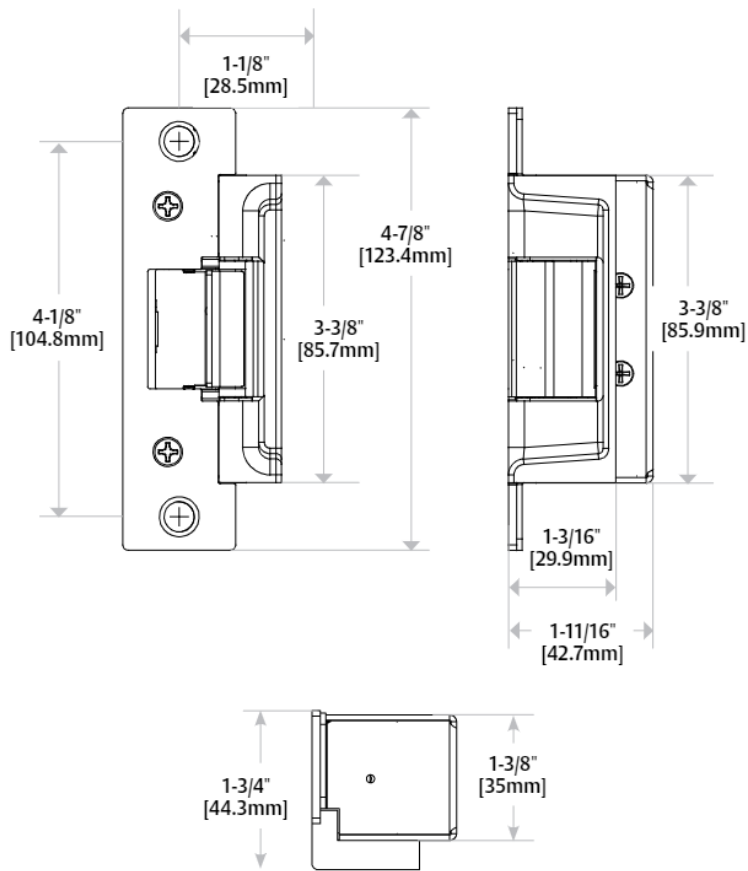
Frame Application

- Metal
- Wood
- Aluminum

Electrical (DC Continuous Duty)

- Dual voltage 12/24 VDC
- 450 mA at 12 VDC/250 mA at 24 VDC

Dimensions



How to Order

SERIES	MODEL	FINISH		OPTION (S)
7000	-	- 630		- LBM
		791 and 792 Options	783S, 786S, 789S Options	
7000 Universal Electric Strike; Faceplates ordered separately	C* Complete Electric Strike; includes the 791 and 792 faceplates	605 Bright Brass	613E Dark Oxidized Satin Bronze Powder	(blank) No Monitor
	(blank) Strike Body Only	606 Satin Brass	630 Satin Stainless Steel	LBM Latchbolt Monitor
		612 Satin Bronze		
		613E Dark Oxidized Satin Bronze Powder		
		629 Bright Stainless Steel		
		630 Satin Stainless Steel		
		BLK Black		

**Complete Pacs are only available in the 630 finish*
 NOTE: Electric strike compatibility is determined at time of electric strike product release. ASSA ABLOY is not responsible for incompatibility of products that have changed in design or craftsmanship by their respective manufacturers. When compatibility is a concern, contact Customer Support for application assistance.