

# Architectural Steel and Stainless Steel Barrel Type Continuous Hinges

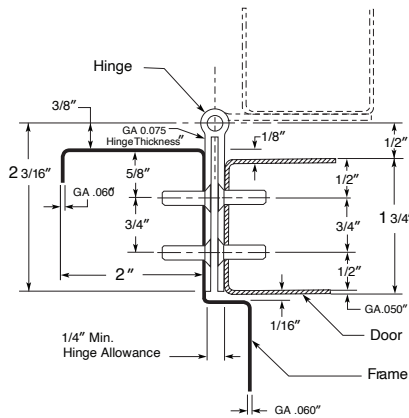
## Full Mortise

**641** – [ANSI A81011B & A81021B] – Standard duty, steel for 1/8" inset doors

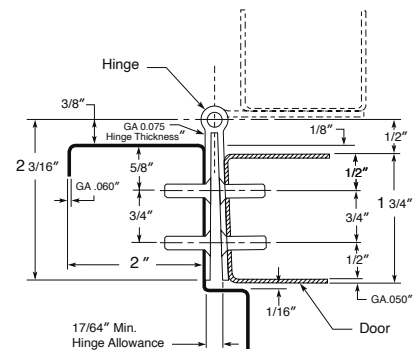
**651** – [ANSI A51011B & A51021B] – Standard duty, stainless steel for 1/8" inset doors



- BHMA certified
- Conforms to ANSI/BHMA Standard A156.26–2006, Grade 1-300
- Supports doors up to 600 lbs.
- Distributes door weight and stress along the full length of door and frame
- No misaligned pivot points of individual hinges
- Hinge covered by a limited lifetime warranty for the life of the building
- Fire rated for up to and including 3 hours
- Leaves attached to the edge of door and frame, revealing only the slim hinge bevel when door is closed
- Steel hinges supplied prime coated for painting. For other powder coated finishes consult factory
- Stainless steel is available in [32] highly polished, and [32D] satin finish. Consult the factory for black, white and custom powder coated finishes.
- 1/4" diameter teflon coated pins
- Superior bearing design inhibits dirt collection
- Two stainless steel bearings, top and bottom, prevent door sagging if Nylatron bearings degrade during a fire
- Hinges can be furnished as follows:
  - narrow (sheared) leaves for 1-3/8" thick doors
  - with hospital tips (HT)
  - with dutch door prep
  - with electric wires [CE]
  - with electric switches [CS]
  - with electric power transfer (EPT) prep – Specify manufacturer and model number of transfer
  - with raised barrel [RB]
  - custom length
  - with welded pin



Square Edge Door



Beveled 1/8" in 2" (3.2 in 51mm) door

Length		Finish		Number of #10 x 1/2" Self Drilling Screws Per Hinge	Number of #10 x 1" Wood Screws Per Hinge	Quantity Per Carton	Carton Weight	
Feet	[mm]	641	651				Lbs.	[kg]
6' 8"	[2032]	P	32D	40	20	1	14	[6.4]
7' 0"	[2134]	P	32D	42	21	1	14	[6.4]
7' 2"	[2184]	P	32D	42	21	1	14	[6.4]
8' 0"	[2286]	P	32D	46	23	1	16	[7.3]
10' 0"	[3048]	P	32D	54	27	1	20	[9.1]