

Application

- Exterior or interior doors
- Door weight up to 200 lbs.
- Maximum door size: interior 3'8" x 8', exterior 3'6" x 8'

Features

- Single or double acting
- Non-handed
- Available in non-hold open (N) (door swings to 130° each direction)
- Available in automatic hold open (both directions). Specify 90° or 105° (A)
- Adjustable closing and latch speeds
- Includes 608011 bottom pivot
- Frame stop is required. See Door Control Accessories Catalog (part number 60131). Order separately.
- Product should always be used with auxiliary floor or wall stop
- 2 year limited warranty

Optional Features

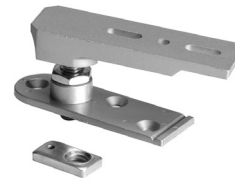
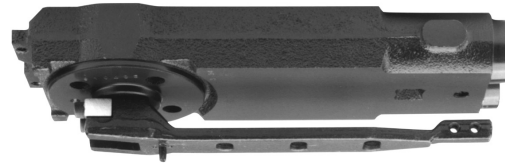
- Extended spindle; 1/2" longer than standard closer spindle. Must be ordered as part of the closer; cannot be added later
- 199 end caps for top and bottom of wood door

Compliance

- ANSI CO5052/CO5062

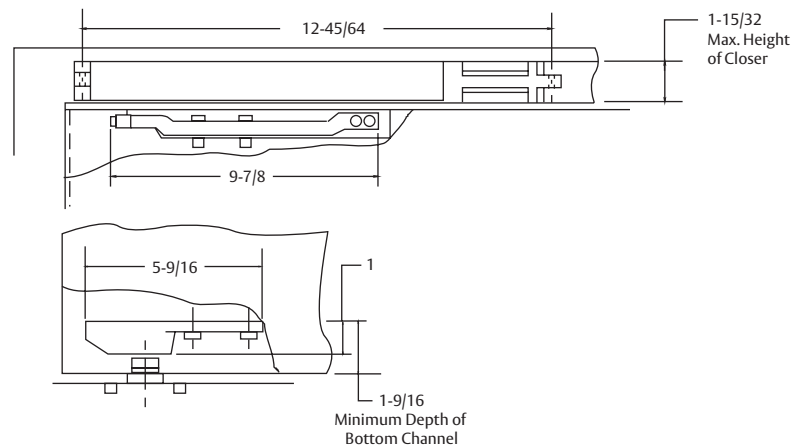
Models

- 608EL closers should be used on aluminum doors and frames. Package includes closer body, arm, frame mounting clips, and bottom pivot 608011. This can be used in an aluminum frame that is 1-3/4" x 4".
- 608SL closers should be used on aluminum door and frames with an arm that attaches to the spindle thru the face of the door. Package includes body arm, frame, mounting clips and bottom pivot 608011. This can be used on a frame that is 1-3/4" x 4".
- M608 closers should be used on metal doors and frames. Package includes closer body, arm, frame mounting box 608049PKG*, cover plate and bottom pivot 608011. Frame size 2" x 5-1/2" minimum.
- MW608 closer should be used on wood doors and metal frames. Package includes closer body, arm, frame mounting box 608049PKG*, cover plate and bottom pivot 608011. Frame size 2" x 5-1/2" minimum.
- W608 closer should be used on wood doors and frames. Package includes closer body, arm, frame, mounting box 608049PKG, cover plate and bottom pivot 608011. Frame size 2" x 5-1/2" minimum.
- AW608 closer should be used on wood doors and aluminum frames. Package includes closer body, arm, frame mounting clips, and bottom pivot 608011. Frame size 1-3/4" x 4".



End load arm shown

TECHNICAL INFO



*Note that mounting channels must be welded into frames prior to shipment to job site.

RIXSON[®]
ASSA ABLOY

Experience a safer
and more open world

HOW TO ORDER

M608
Model

- 608EL - End Load Arm Closer for Aluminum Doors and Frames
- 608SL - Side Load Arm Closer for Aluminum Doors and Frames
- M608 - Closer for Metal Doors and Frames
- MW608 - Closer for Wood Doors and Metal Frames
- W608 - Closer for Wood Doors and Frames
- AW608 - Closer for Wood Doors & Aluminum Frames

End load arm will be supplied if no designation is listed.

90A
Hold Open

- 90A - Hold Open
- 105A - Hold Open
- N - Non-Hold Open

x 1/2" Ext Spdl
Suffix

1/2" Extended Spindle

x 626
Finish

All Arms Are

- 689 Sprayed Alum
- 690 Sprayed Dark Bronze
- 691 Sprayed Light Bronze
- 693 Sprayed Black
- 696 Sprayed Brass
- BSP Black Suede Powder
- WSP White Suede Powder

Cover Plates

- 605 Bright Brass
- 606 Satin Brass
- 611 Bright Bronze
- 612 Satin Bronze
- 613 Dark Bronze
- 619 Satin Nickel
- 622 Flat Black
- 625 Bright Chrome
- 626 Satin Chrome
- BSP Black Suede Powder
- WSP White Suede Powder



Experience a safer
and more open world