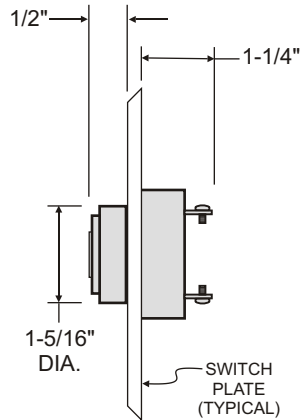


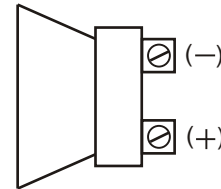
6000 SERIES ACCESS/EGRESS CONTROLS MISCELLANEOUS OPTIONS WIRING INFORMATION

AUD OPTION - AUDIBLE ANNUNCIATOR

PHYSICAL SPECIFICATIONS



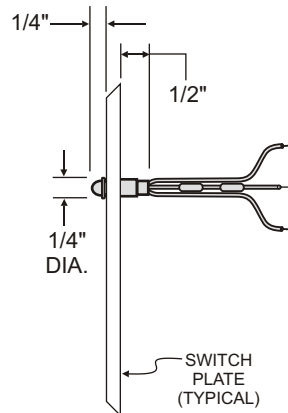
WIRING INFORMATION



OPERATING VOLTAGE: 1 - 28VDC @ 15 mA
 OUTPUT LEVEL: 90dB @ 30 CENTIMETERS
 TONE FREQUENCY: 2900Hz

LED OPTION - BI-COLOR LED INDICATOR

PHYSICAL SPECIFICATIONS

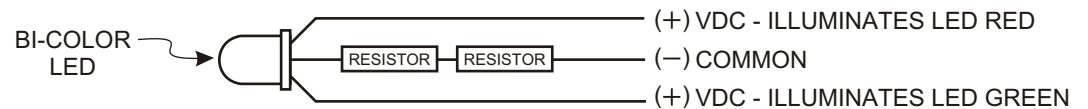


WIRING INFORMATION

THE BI-COLOR LED CAN DISPLAY IN TWO COLORS - RED OR GREEN AND IS PRE-CONFIGURED TO OPERATE ON 24VDC. FOR 12VDC OPERATION REMOVE THE OUTER RESISTOR FROM THE BLACK WIRE. THE LED MAY BE WIRED TO OPERATE AS FOLLOWS:

APPLYING (+) VDC TO RED WIRE AND (-) TO BLACK WIRE ILLUMINATES LED - RED.

APPLYING (+) VDC TO GREEN WIRE AND (-) TO BLACK WIRE ILLUMINATES LED - GREEN.



DynaLock Corp.
 705 Emmett Street
 Forestville, CT 06010

TITLE
 6000 SERIES ACCESS/EGRESS CONTROLS
 "AUD"- AUDIBLE & "LED"- BI-COLOR LED OPTION
 SUPPLEMENTAL WIRING INSTRUCTIONS

DRN. BY JAS
DATE 06/13/01
SCALE _____

DWG. NO.
600207