

SS19 SERIES - LEVERS

INSTITUTIONAL LIFE SAFETY MORTISE LOCKSETS

Standard Features

Performance Specifications

Life Test: 1,500,000 cycles minimum.

Trim Specifications

Exterior & Interior Trim:

- Solid stainless steel interior and exterior tapered levers recessed into thru-bolted roses
- Specially ergonomically designed integral grooved turn knob for elderly and handicapped access (*Patent D#587556*) on some functions.
- Needle bearings ensure smoothness of operation
- Clutch

Cylinder: Solid stainless steel cylinders with solid stainless steel security collars; Optional HI-SECURITY™ cylinders available

Strike: 4-7/8" curved lip stainless steel w/tamperproof screws

Door Thickness: 1-3/4" standard; Extended range available

Door Prep: ANSI A115.1 lock face cutout, with 2-1/8" through hole for knob/rose assembly

Backset: 5 Series: 2-3/4" standard, 55 Series: 2-1/2" optional

Lock Front: Adjustable bevel steel backplate 1-1/4" x 8" x 7/64" thick, Cover plate 1/16" thick with tamper proof screws

Latch: Solid stainless steel with antifriction latch lever, 3/4" throw (reversible)

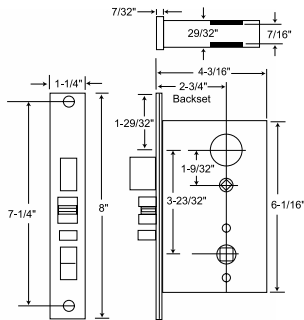
Aux. Deadlatch: 1/2" throw, (reversible)

Case: Stamped steel 3/32" thick, zinc dichromate finish

Hubs: Steel, 9/32" on diamond, 5/16" on square w/security separator

Hub Lock Arm: (to lock hub) Steel 1/8" thick

Spindles: Independent spring-loaded spindles

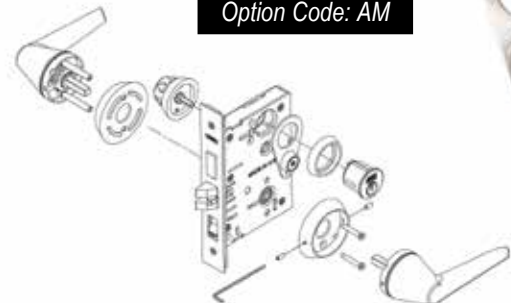


Quick Privacy Access
A9618-1 Shown;
Option Code A25

Antimicrobial
Finish Available
Option Code: AM



CODE:
G1 & G3
For IC Core
Option



MARKS #		FUNCTION	ANSI #	SERIES SS19 5 & 55	
COMM. CYL.	FINISH GROUPS				
KEYED SINGLE CYLINDER, NO DEADBOLT					
D		OFFICE VEST.			
DW		VESTIBULE			
E		OFFICE	F04		
EW		STOREROOM	F07		
J		CLASSROOM	F05		
JM, JR		HOSPITAL	F06		
GL		INSTITUTIONAL PRIVACY	F26		
EL		ELECTRICALLY LOCKED			
EU		ELECTRICALLY UNLOCKED			
KEYED SINGLE CYLINDER, WITH DEADBOLT					
A		ENTRANCE	F08, F10		
B		ENTRANCE	F21		
F		DORMITORY	F12		
FS		DORMITORY			
FW		DORMITORY	F13		
FD		APARTMENT	F20		
H		HOTEL	F15		
LH		SPECIAL PRIVACY			
KEYED DOUBLE CYLINDER, NO DEADBOLT					
G		APARTMENT	F09	32D	
GC		INTRUDER LATCHBOLT	F32		
GG		CLASSROOM SECURITY			
GR		CLASSRM. SEC. w/HOLDBACK			
WW		INSTITUTIONAL	F30		
KEYED DOUBLE CYLINDER, WITH DEADBOLT					
AC		ENTRANCE	F35		
C		STOREROOM	F14		
FC		INTRUDER DEADBOLT	F34		
FA		DORMITORY	F11		
FX		DORMITORY	F33		
KEYLESS					
N		PASSAGE	F01		
L		BATHROOM	F02		
LF		PRIVACY	F19		
LJ		PRIVACY	F22		
EX		EXIT	F31		
DUMMY TRIM					
DI		DUMMY TRIM INSIDE			
DO		DUMMY TRIM OUTSIDE			
DT		FULLY DUMMY			

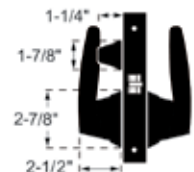
* Standard & HI-SECURITY™ IC Core Models:

Interchangeable Core models for 6 or 7 pin cores (not included). **Accepts:** Marks, Marks HI-SECURITY™, Medeco®, KeyMark™, Falcon, Schlage® small format & Best®

IC Core Tailpieces ARE INCLUDED. WHEN ORDERING IC CORE CYLINDER, ADD THE PREFIX "R" TO THE PART NUMBER ie: **5SS55RA/32D**

Function "LJ" F22:

ANSI F22 Latch by lever either side except when outside lever is locked by inside turnpiece. Turning inside lever or closing door unlocks outside lever. To unlock from outside, remove emergency button, insert emergency key in access hole and turn. Optional coin key assembly available.



LIFETIME MECHANICAL WARRANTY • FINISHES ARE EXCLUDED FROM THIS WARRANTY



www.marksusa.com • 631-225-5400 • 800-526-0233 • Fax: 631-225-6136 • ©2015, Marks USA