

# 5L Series Deadbolt

## 5L Specifications

**Latchbolt function** – Retracted by key to unlock. Key may be withdrawn only in locked position

**Deadbolt function** – Locked and unlocked by key. Must be locked by key after door is closed. Key may be withdrawn in locked position and unlocked position

**Backset** – 7/8"

**Body thickness** – 1/2"

**Case** – Length 2-1/8", width 2-19/32", thickness 2-1/32", hole spacing 2-3/16"

**Cylinder diameter** – 1-1/8"

**Cylinder length** – 11/16"

**Deadbolt** – 3/4" x 25/64" – 1/2" throw

**Door thickness** – 5/8" minimum for rim type, 21/32" minimum for mortise type.

**Face** – 1-7/8" x 2-1/32"

**Latchbolt** – 3/4" x 25/64" – 9/32" throw

**Material** – Nickel plated zinc case and bolts, stainless steel cover, phosphor bronze spring.

**Strike plate** – 3/64" x 11/16" x 1-7/8", hole spacing 1-7/16", 1-1/4" wide lip.

**T-Option** – Key is removeable only in locked position. [Deadbolt Only].

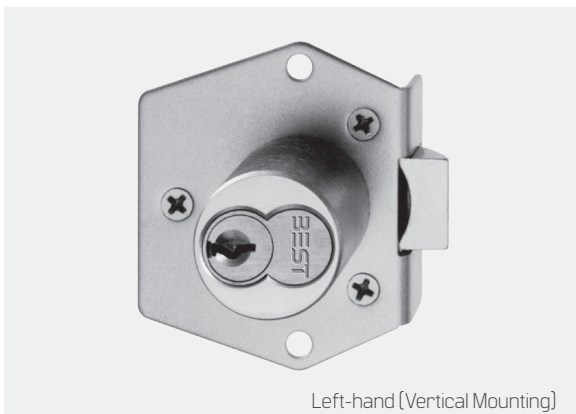
## 5L Series – Latchbolt Mounting Positions



Rim (Vertical Mounting)



Mortise (Vertical Mounting)

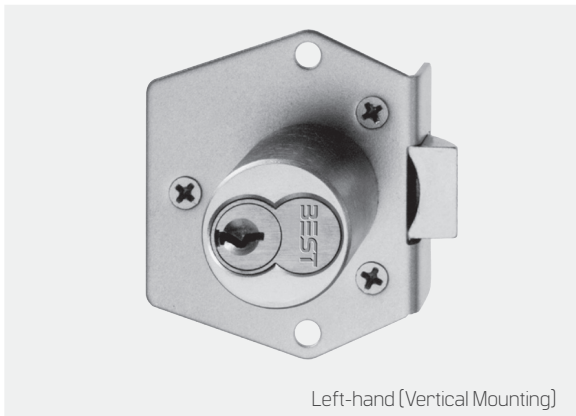


Left-hand (Vertical Mounting)



Inverted

## 5L Series – Deadbolt Mounting Positions



## 5L Series – Strikes

Strike plate specification – 3/64" x 11/16" x 1-7/8"; hole spacing 1-7/16"



Standard strike supplied unless otherwise specified

### How To Order – 5L

5L	7	R	D	2	606	
Series	Core	Mounting Housing	Latch Type	Hand Type	Standard Finish	Options
5L	7 – 7 pin housing accepts all BEST cores	R – rim	D – deadbolt L – latchbolt	2 – vertical 5 – inverted	606 612 626 (cylinder only)	T – deadlock (deadbolt only) TR – special trim ring