



Auxiliary Locks

Cabinet Locks, Deadlocks, Padlocks



Cabinet Locks



511s



Application: Pin tumbler lock for 3/4" (19mm), 1" (25mm), 1-1/8" (29mm) or 1-3/8" (35mm) wood or metal wardrobe doors.

Operation: Key retracts latchbolt.

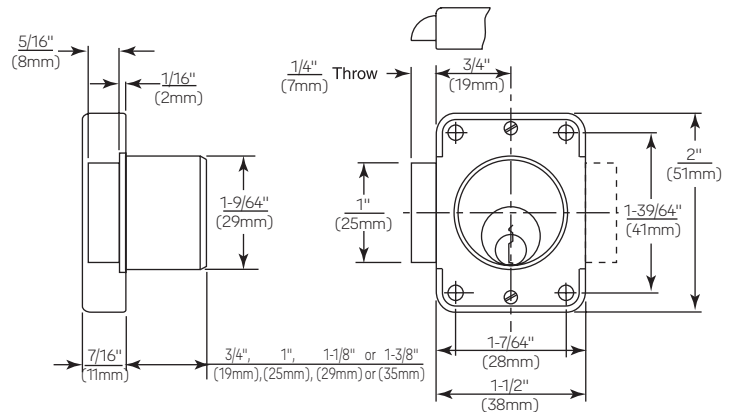
Material: All brass.

Finishes: Nose and scalp 605 standard; 606, 625 and 626 to order.

Keying: 4-, 5-, or 6-pin tumblers, two keys. Can be Master Keyed and Grand Master Keyed.

Handed: Specify RH or LH. Right hand shown.

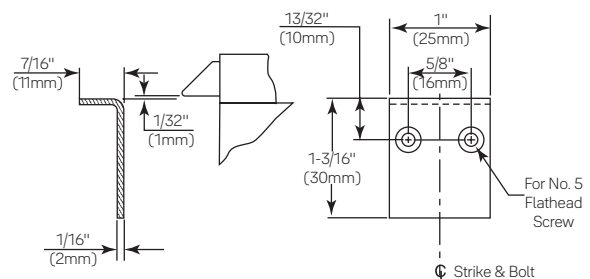
Note: 3/4" available 4-pin only. 1" available 5-pin only.



Accessories

511S Angle Strike

May be specified with surface type Spring Bolt Lock 511S.



Dimensions are shown in inches (millimeters).